

STRUCTURAL SPECIFICATIONS

MISCELLANEOUS

- 1. THE STRUCTURAL SYSTEM IS UNSTABLE UNTIL ALL CONNECTIONS HAVE BEEN MADE AND ALL CONCRETE HAS REACHED ITS MINIMUM DESIGN STRENGTH, AS SHOWN IN THE STRUCTURAL DOCUMENTS.
2. CONTRACTOR IS RESPONSIBLE FOR MEANS AND METHODS OF CONSTRUCTION TO ENSURE THE SAFETY OF THE BUILDING UNTIL STRUCTURAL SYSTEM IS COMPLETED. THIS INCLUDES, BUT IS NOT LIMITED TO, THE ADDITION OF WHATEVER TEMPORARY BRACING, SHORING, GUYS OR TIE-DOWNS THAT MAY BE NECESSARY. SUCH MATERIAL SHALL BE REMOVED AND SHALL REMAIN THE PROPERTY OF THE CONTRACTOR AFTER COMPLETION OF THE PROJECT.
3. CONTRACTOR TO SUPPORT, BRACE AND SECURE EXISTING STRUCTURE AS REQUIRED. CONTRACTOR IS SOLELY RESPONSIBLE FOR THE SAFETY OF THE BUILDING DURING CONSTRUCTION.
4. APPLICABLE BUILDING CODE: 8TH EDITION (2023) FLORIDA BUILDING CODE.
5. GRAVITY DESIGN LOADS: SUPERIMPOSED TOTAL AREA LIVE LOAD DEAD LOAD ROOF 20 PSF 40 PSF
6. WIND DESIGN CRITERIA: ULTIMATE WIND SPEED: VULT = 200 MPH (3 SECOND GUST) EQUIVALENT NOMINAL BASIC WIND SPEED V50 = 155 MPH (3 SECOND GUST) TORNADO SPEED, V1 = 65 MPH RISK CATEGORY = IV TORNADO EFFECTIVE PLAN AREA, Ae = 20,000 SF EXPOSURE CATEGORY = C ENCLOSED BUILDING INTERNAL PRESSURE COEFFICIENT, GCPI = +/-0.18 ENCLOSED BUILDING TORNADO INTERNAL PRESSURE COEFFICIENT, GCPI = +.55/- .18 WIND BORNE DEBRIS REGION
7. RAIN DESIGN CRITERIA: DESIGN STORM RETURN PERIOD = 500 YRS RAINFALL INTENSITY (i) = 11.9 IN/HR
8. ALL MATERIALS AND WORKMANSHIP SHALL BE IN ACCORDANCE WITH THE REFERENCED BUILDING CODE.
9. COORDINATE ALL DIMENSIONS AND ELEVATIONS WITH THE ARCHITECTURAL DRAWINGS. DO NOT SCALE DRAWINGS.
10. CONTACT ENGINEER WITH ANY QUESTIONS OR DISCREPANCIES FOUND ON DRAWINGS.
11. SECTIONS AND DETAILS ARE REFERENCED IN TYPICAL LOCATIONS BUT ALSO APPLY TO ALL OTHER SIMILAR CONDITIONS.
12. CONTRACTOR TO VERIFY ALL EXISTING DIMENSIONS, ELEVATIONS, AND CONDITIONS PRIOR TO BEGINNING CONSTRUCTION.
13. SUBMIT SHOP DRAWINGS AS REQUIRED HEREIN. ALLOW FOR TWO WEEKS REVIEW TIME AFTER RECEIPT OF SUBMITTALS BY THIS FIRM. ALL SUBMITTALS SHALL BE CHECKED AND SIGNED BY THE GENERAL CONTRACTOR AND SIGNED/SEALED BY THE DELEGATED ENGINEER, WHERE SPECIFIED HEREIN.
14. CONTRACTOR SHALL NOT BE RELIEVED FROM RESPONSIBILITY FOR ERRORS OR OMISSIONS IN SHOP DRAWINGS OR MIX DESIGNS BY THE ENGINEER'S REVIEW THEREOF.
15. ANY CHANGES TO THE STRUCTURE SHALL HAVE BEEN REVIEWED AND APPROVED IN WRITING BY THE ENGINEER PRIOR TO COMMENCING WORK ON ITEMS AFFECTED.
16. CONTRACTOR SHALL NOTIFY THIS OFFICE WHEN THE STRUCTURAL SYSTEM IS SUBSTANTIALLY COMPLETED, AND BEFORE SHEATHING, CEILING, OR ROOFING IS INSTALLED.

HAND RAILS

- 1. AN ENGINEER REGISTERED IN THE STATE OF FLORIDA SHALL DESIGN RAILING SYSTEM AND CONNECTION OF IT TO THIS STRUCTURE.
2. SUBMIT SHOP DRAWINGS BEARING THE EMBOSSED SEAL AND THE SIGNATURE OF THE ENGINEER FOR REVIEW PRIOR TO FABRICATION.
3. THE CONFIGURATION OF THE RAILING SYSTEM SHALL BE AS SHOWN ON THE ARCHITECTURAL DRAWINGS.
4. RAILING SYSTEM AND CONNECTIONS SHALL BE DESIGNED FOR APPLICABLE LOADS AS INDICATED ON THE PLANS AND IN THE BUILDING CODE. THE LOADS SHALL BE CLEARLY INDICATED ON SHOP DRAWINGS.
5. SHOP DRAWINGS SHALL SHOW AND SPECIFY CONNECTIONS UTILIZED WITHIN THE RAILING SYSTEM AS WELL AS CONNECTIONS TO AND LOADS IMPOSED UPON THE STRUCTURAL SYSTEM SHOWN ON THESE PLANS.

GLAZED CURTAIN WALL, STOREFRONT, WINDOW AND DOOR SYSTEMS

- 1. EXTERIOR GLAZED OPENINGS SHALL BE DESIGNED IN ACCORDANCE WITH ACCEPTED ENGINEERING PRINCIPLES AND GOVERNING CODES.
2. THIS BUILDING HAS BEEN DESIGNED AS "ENCLOSED", REFER TO THE STRUCTURAL DRAWINGS FOR COMPONENTS AND CLADDING MINIMUM DESIGN WIND PRESSURES.
3. IF THIS SITE IS LOCATED WITHIN A WIND BORNE DEBRIS REGION, AS SHOWN IN FIGURE 1609 OF THE FLORIDA BUILDING CODE, ALL EXTERIOR GLAZED OPENINGS SHALL BE DESIGNED AND TESTED FOR MISSILE IMPACT OR PROTECTED BY APPROVED SCREENS OR SHUTTERS.
4. A LICENSED PROFESSIONAL ENGINEER SHALL DESIGN THE EXTERIOR GLAZED SYSTEMS, SHOP DRAWINGS, AND OVERSEE ANY LOAD TESTING.
5. SIGNED AND SEALED SHOP DRAWINGS, NOTICE OF ACCEPTANCE (NOA), OR FLORIDA PRODUCTION APPROVAL DOCUMENTATION SHALL BE SUBMITTED IN ACCORDANCE WITH THE ARCHITECT'S REQUIREMENTS.

DELEGATED ENGINEER

- 1. WHERE NOTED HEREIN, A LICENSED PROFESSIONAL (DELEGATED) ENGINEER SHALL BE RETAINED TO DESIGN THE PRODUCT OR ASSEMBLY.
2. THE DELEGATED ENGINEER SHALL BE EXPERIENCED IN THE DESIGN OF THE REFERENCED PRODUCT OR ASSEMBLY.
3. THE DELEGATED ENGINEER MUST BE PROVIDED WITH A COPY OF THESE DRAWINGS AND SPECIFICATIONS.
4. IT IS THE DELEGATED ENGINEER'S RESPONSIBILITY TO REVIEW THE ENGINEER OF RECORD'S WRITTEN ENGINEERING REQUIREMENTS AND AUTHORIZATION FOR THE DELEGATED ENGINEERING DOCUMENT TO DETERMINE THE APPROPRIATE SCOPE OF ENGINEERING.
5. THE DELEGATED ENGINEERING DOCUMENT SHALL COMPLY WITH THE WRITTEN ENGINEERING REQUIREMENTS RECEIVED FROM THE ENGINEER OF RECORD. THEY SHALL INCLUDE THE PROJECT IDENTIFICATION AND THE CRITERIA USED AS A BASIS FOR ITS PREPARATION. IF A DELEGATED ENGINEER DETERMINES THERE ARE ARE DETAILS, FEATURES OR UNANTICIPATED PROJECT LIMITS WHICH CONFLICT WITH THE WRITTEN ENGINEERING REQUIREMENTS PROVIDED BY THE ENGINEER OF RECORD, THE DELEGATED ENGINEER SHALL TIMELY CONTACT THE ENGINEER OF RECORD FOR RESOLUTION OF CONFLICTS.
6. THE DELEGATED ENGINEER SHALL FORWARD THE DELEGATED ENGINEERING DOCUMENT TO THE ENGINEER OF RECORD FOR REVIEW. ALL FINAL DELEGATED ENGINEERING DOCUMENTS REQUIRE THE IMPRESSED SEAL AND SIGNATURE OF THE DELEGATED ENGINEER AND INCLUDE:
A) DRAWINGS INTRODUCING ENGINEERING INPUT SUCH AS DEFINING THE CONFIGURATION OR STRUCTURAL CAPACITY OF STRUCTURAL COMPONENTS AND/OR THEIR ASSEMBLY INTO STRUCTURAL SYSTEMS.
B) CALCULATIONS.

DEFERRED SUBMITTALS BY DELEGATED ENGINEERS

- 1. IN ACCORDANCE WITH FBC 107.3.4.1, THE FOLLOWING PRE-ENGINEERED SPECIALTY ITEMS FOR PORTIONS OF THE BUILDING WILL NOT BE SUBMITTED AT THE TIME OF BUILDING PERMIT APPLICATION BUT WILL BE DEFERRED UNTIL AFTER THE PERMIT HAS BEEN ISSUED:
A) METAL CANOPIES
B) METAL STUD FRAMING
C) STEEL BAR JOISTS
2. THESE ELEMENTS ARE PERFORMANCE-BASED DESIGN. THE CONTRACTOR SHALL CONTRACT FOR THE DESIGN AND CONSTRUCTION OF THESE ELEMENTS DURING THE CONSTRUCTION PHASE. THE SHOP DRAWINGS AND CALCULATIONS SHALL BE PREPARED AND SIGNED BY A LICENSED FLORIDA DELEGATED PROFESSIONAL ENGINEER PER FLORIDA STATUTES. THEY SHALL BE SUBMITTED FOR REVIEW AND APPROVAL PRIOR TO FABRICATION. THE DEFERRED SUBMITTAL ITEMS SHALL NOT BE INSTALLED UNTIL THE DEFERRED SUBMITTAL DOCUMENTS HAVE BEEN APPROVED BY THE BUILDING OFFICIAL.

SITE WORK

- 1. A SUBSURFACE INVESTIGATION HAS BEEN COMPLETED AT THE PROJECT SITE BY TIERRA SOUTH FLORIDA, INC., SOIL BORING LOGS AND SITE PREPARATION PROCEDURES ARE INCLUDED IN THE PROJECT SOILS REPORT, DATED 12/09/2024, WHICH IS AN INTEGRAL PART OF THESE CONTRACT DOCUMENTS.
2. SITE WORK SHALL BE DONE IN STRICT ACCORDANCE WITH THE PROJECT SOILS REPORT.
3. CONTRACTOR SHALL REVIEW THE SOILS REPORT AND VERIFY THAT TEST BORINGS HAVE BEEN DONE UNDER ALL BUILDING(S) PRIOR TO BEGINNING EARTHWORK.
4. INFORMATION FROM GEOTECHNICAL REPORT:
A) DESIGN SOIL BEARING PRESSURE = 2500 PSF.
B) ESTIMATED MAXIMUM SETTLEMENT = 1 INCHES.
C) ESTIMATED DIFFERENTIAL SETTLEMENT = 1/2 INCHES.
5. A QUALIFIED TESTING LABORATORY SHALL BE RETAINED TO PERFORM THE FOLLOWING MINIMUM TESTS. REFER TO SOILS REPORT OR ANY ADDITIONAL TESTING.
A) ONE DENSITY TEST FOR EACH 2,000 SQUARE FEET OF COMPACTED SUBGRADE AND
B) ONE DENSITY TEST AT EACH COLUMN FOOTING.
C) ONE DENSITY TEST PER 50 FEET OF WALL FOOTING.
6. ONE COPY OF ALL TEST REPORTS SHALL BE SENT DIRECTLY TO OWNER, ARCHITECT, STRUCTURAL ENGINEER, AND GENERAL CONTRACTOR.
7. FOUNDATION WALLS THAT RETAIN EARTH SHALL BE BRACED AGAINST BACKFILLING PRESSURES UNTIL FLOOR SLABS AT TOP AND BOTTOM ARE IN PLACE.
8. THE SIDES OF FOOTINGS MAY BE EARTH-FORMED IF THE EXCAVATION CAN BE KEPT VERTICAL, CLEAN, AND STABLE, OTHERWISE, PLYWOOD FORMS MUST BE USED.
9. EXERCISE CARE WHEN COMPACTING NEAR ADJACENT STRUCTURES. FOLLOW THE RECOMMENDATIONS IN THE SOILS REPORT AND DOCUMENT EXISTING CONDITIONS WITH PHOTOGRAPHS PRIOR TO STARTING WORK.
10. PRIOR TO CONSTRUCTION, CONTRACTOR SHALL LOCATE ALL EXISTING UNDERGROUND UTILITY LINES, TANKS, ETC. WITHIN THE CONSTRUCTION AREA AND RELOCATE THEM AS DIRECTED BY THE CIVIL ENGINEER.

CAST IN PLACE CONCRETE

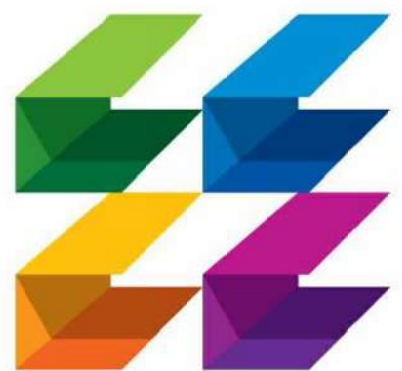
- 1. ALL CAST-IN-PLACE CONCRETE WORK INCLUDES REINFORCING STEEL AND RELATED WORK SHOWN INCLUDING FORMWORK, SETTING ANCHOR BOLTS, PLATES, FRAMES, DOWELS FOR MASONRY OR OTHER ITEMS EMBEDDED IN CONCRETE.
2. APPLICABLE STANDARDS
ACI NUMBER TITLE STANDARD SPECIFICATIONS FOR TOLERANCES FOR CONCRETE CONSTRUCTION GROUND GRANULATED BLAST-FURNACE SLAG STANDARD SPECIFICATIONS FOR STRUCTURAL CONCRETE FOR BUILDINGS GUIDE FOR CONCRETE FLOOR AND

Table with 3 columns: SLAB CONSTRUCTION, CRSI NUMBER, TITLE. Includes items like GUIDE FOR MEASURING MIXING, TRANSPORTING AND PLACING CONCRETE, PLACING CONCRETE BY PUMPING METHODS, HOT WEATHER CONCRETING, COLD WEATHER CONCRETING, STANDARD PRACTICE FOR CURING, GUIDE FOR CONSOLIDATION OF CONCRETE, MANUAL OF STANDARD PRACTICE FOR DETAILING CONCRETE STRUCTURES, BUILDING CODE REQUIREMENTS FOR CONCRETE, CONCRETE RECOMMENDED PRACTICE FOR CRSI NUMBER, RECOMMENDED PRACTICE FOR PLACING REINFORCING BARS, CONCRETE MATERIALS, PORTLAND CEMENT - ASTM C 150, TYPE I, AGGREGATES - NORMAL WEIGHT CONCRETE, STRUCTURAL LIGHT WEIGHT ASTM C330, AIR-ENTRAINING - ASTM C260, WATER REDUCING - ASTM C494, TYPE A, WATER - FRESH, CLEAN AND POTABLE, NO ACCELERATORS, RETARDERS OR ADMIXTURES CONTAINING CHLORIDES WILL BE PERMITTED, FLY-ASH - ASTM C618, CLASS F, 20% MAXIMUM OF CEMENTITIOUS MATERIAL BY WEIGHT, DO NOT USE FOR EXPOSED SLABS OR ARCHITECTURAL CONCRETE, SUPER PLASTICIZER - ASTM C494, TYPE F OR G, GROUND GRANULATED BLAST-FURNACE SLAG CEMENT - ASTM C989, 50% MAXIMUM BY WEIGHT, MAXIMUM AGGREGATE SIZE - FOOTINGS = #57, OTHERS #67, REINFORCING MATERIALS, DEFORMED BARS - ASTM A615, GRADE 60, SMOOTH DOWELS - ASTM A615, PLAIN BARS, MINIMUM YIELD STRENGTH OF 60,000 PSI, CORROSION RESISTANT UNCOATED STEEL (MMFX-2) - ASTM A615, GRADE 75 AND ASTM A1035 LOW-CARBON (8% MINIMUM) CHROMIUM BY MMFX OR EQUAL, WELDABLE REBAR - ASTM A706, GRADE 60, WELDED WIRE FABRIC - ASTM A1064, PLAIN WIRE FABRIC IN FLAT SHEETS ONLY, ANCHORS TO CONFORM TO ACI 315, WHERE CONCRETE SURFACES ARE EXPOSED, MAKE THOSE PORTIONS OF ALL ACCESSORIES IN CONTACT WITH THE CONCRETE SURFACE OR WITHIN 1/2 INCH THEREOF, OF PLASTIC OR STAINLESS STEEL, FOOTINGS, SLAB-ON-GRADE-----3000 PSI, MASONRY WALL BEAMS, THE COLUMNS-----3000 PSI, FORMED COLUMNS, WALLS, BEAMS & SLABS-----4000 PSI, CONCRETE MUST BE BATCHED, MIXED AND TRANSPORTED IN ACCORDANCE WITH THE SPECIFICATIONS FOR READY-MIXED CONCRETE ASTM C94, REQUIRED SLUMP = 4 PLUS OR MINUS ONE INCH, CONCRETE MUST BE PLACED WITHIN 90 MINUTES OF BATCH TIME, WHEN AIR TEMPERATURE IS BETWEEN 85 AND 90 DEGREES F, REDUCE MIXING AND DELIVERY TIME TO 75 MINUTES, WHEN AIR TEMPERATURE IS HIGHER THAN 90 DEGREES F, REDUCE MIXING AND DELIVERY TIME TO 60 MINUTES, DO NOT ADD WATER AT THE JOB SITE WITHOUT APPROVAL OF THE PROJECT SUPERINTENDENT, DO NOT EXCEED THE SLUMP LIMITATION, USE ONLY COLD WATER FROM THE TRUCK TANK, ANY ADDED WATER MUST BE INDICATED ON THE DELIVERY TICKET PLUS THE NAME OF THE PERSON AUTHORIZING, TEST CYLINDERS SHALL BE TAKEN AFTER THE ADDITION OF WATER, LAP SPICE REINFORCING PER CONCRETE LAP SCHEDULE MINIMUM UNLESS OTHERWISE SHOWN OR NOTED, PROVIDE CORNER BARS AT ALL WALL FOOTING, WALL AND BEAM CORNERS, SIZE AND NUMBER TO MATCH HORIZONTAL BARS, PROVIDE FOUNDATION DOWELS TO MATCH SIZE AND NUMBER OF VERTICAL BARS, EMBED DOWELS TO: 3" ABOVE BOTTOM OF FOOTINGS, REINFORCEMENT SHALL BE FASTENED AND SECURED TOGETHER TO PREVENT DISPLACEMENT BY CONSTRUCTION LOADS OR THE PLACING OF CONCRETE, REINFORCING BAR COVER, FOOTINGS 2" (TOP), 3" (SIDES AND BOTTOM), COLUMNS AND BEAMS 1-1/2", SLABS 3/4" (INTERIOR), 1-1/2" (EXTERIOR), WHERE BAR LENGTHS ARE GIVEN ON THE DRAWINGS, LENGTH OF HOOK, IF REQUIRED, IS NOT INCLUDED, SELECT PROPORTIONS IN ACCORDANCE WITH ACI 301 TO PROVIDE CONCRETE CAPABLE OF BEING PLACED WITHOUT EXCESSIVE SEGREGATION AND WITH ACCEPTABLE FINISHING PROPERTIES, DURABILITY, SURFACE HARDENERS, APPEARANCE, AND STRENGTH REQUIREMENTS REQUIRED BY THESE SPECIFICATIONS, CHAIR WELDED WIRE FABRIC REINFORCING AT 3'-0" ON CENTER MAXIMUM IN EACH DIRECTION, MAXIMUM WATER TO CEMENT RATIO WHEN NO BACK-UP DATA IS AVAILABLE: 4000 PSI, 28-DAY COMPRESSIVE STRENGTH; W/C RATIO, 0.44 MAXIMUM (NON-AIR-ENTRAINED), 0.36 MAXIMUM (AIR-ENTRAINED), 3000 PSI, 28-DAY COMPRESSIVE STRENGTH; W/C RATIO, 0.58 MAXIMUM (NON-AIR-ENTRAINED), 0.47 MAXIMUM (AIR-ENTRAINED), DO NOT USE MOISTURE RETAINING CURING COMPOUNDS FOR CURING SURFACES TO RECEIVE CARPET, FLEXIBLE FLOORING, CERAMIC TILED FLOORS OR OTHER SPECIFIED FLOOR SYSTEMS, UNLESS IT HAS BEEN DEMONSTRATED THAT SUCH COMPOUNDS WILL NOT PREVENT BOND, CURE SLABS-ON-GRADE FOR THE FIRST 72 HOURS BY THE USE OF: FOG SPRAYING, PONDING, SPRINKLING, CONTINUOUSLY WET ABSORPTIVE MATS OR FABRIC, CONTINUE CURING BY USE OF MOISTURE RETAINING COVER UNTIL CONCRETE HAS OBTAINED ITS SPECIFIED 28 DAY COMPRESSIVE STRENGTH, OR LIQUID CURING COMPOUND AFTER FINISHING PROCESS IS COMPLETED, CONCRETE WET CURE TIME TO BE 7 DAYS MINIMUM AT 50 DEGREES MINIMUM TEMPERATURE, SUBMIT MATERIALS AND METHOD OF CURING FOR REVIEW, DO NOT PERMIT CONCRETE NOT FULLY CURED TO BE EXPOSED TO EXCESSIVE TEMPERATURE CHANGES OR HIGH WINDS, POUR ALL GROUND SLABS ON 10 MIL MINIMUM VAPOR RETARDER IN COMPLIANCE WITH ASTM E1745, LAPPED 6" MINIMUM AND FULLY TAPED.

- 19. DATA TO BE SUBMITTED:
A) INTENDED USAGE AND LOCATION FOR EACH TYPE
B) MIX DESIGN FOR EACH TYPE
C) CEMENT CONTENT IN POUNDS-PER-CUBIC YARD
D) COARSE AND FINE AGGREGATE IN POUNDS/CUBIC YARD
E) WATER CEMENT RATIO BY WEIGHT
F) CEMENT TYPE AND MANUFACTURER
G) SLUMP RANGE
H) AIR CONTENT
I) ADMIXTURE TYPE AND MANUFACTURER
J) PERCENT ADMIXTURE BY WEIGHT
K) STRENGTH TEST DATA REQUIRED TO ESTABLISH MIX DESIGN.
L) COMPLETE DETAIL AND PLACING SHOP DRAWINGS FOR ALL REINFORCING STEEL INCLUDING ACCESSORIES THAT HAVE BEEN REVIEWED AND STAMPED BY THE GENERAL CONTRACTOR, INCLUDE ALL REQUIRED DIMENSIONS AND ELEVATIONS (IE. TOP OF CONCRETE)
20. THE GENERAL CONTRACTOR IS RESPONSIBLE FOR PROVIDING THE CONSTRUCTION OF FORMWORK, SHORING AND SHORING IN ACCORDANCE WITH ACI 347.
A) FORM AND SHORING DESIGN BY A P.E. REGISTERED IN THE STATE OF FLORIDA.
21. SUBMIT FORM WORK AND SHORING DRAWINGS TO LOCAL BUILDING DEPARTMENT WHEN REQUIRED BY FLORIDA THRESHOLD LAW.
22. CONSTRUCTION JOINTS NOT SHOWN ON THE DRAWINGS MUST BE MADE AND LOCATED TO LEAST IMPAIR THE STRENGTH OF THE STRUCTURE.
A) NO HORIZONTAL CONSTRUCTION JOINTS WILL BE PERMITTED IN BEAMS, GIRDER AND SLABS.
B) LOCATION OF ANY CONSTRUCTION JOINT NOT SHOWN IS SUBJECT TO REVIEW AND ACCEPTANCE BY ENGINEER.
23. INTERNAL VIBRATION, PROPERLY APPLIED IS THE REQUIRED METHOD OF CONSOLIDATING PLASTIC CONCRETE.
24. PROVIDE 3/4" CHAMFER ON ALL EXPOSED CORNERS OF COLUMNS, BEAMS AND WALLS UNLESS OTHERWISE NOTED ON ARCHITECTURAL DRAWINGS.
25. CONTRACTOR SHALL VERIFY LOCATIONS OF ALL OPENINGS, SLEEVES, AND SLAB RECESSES AS REQUIRED BY OTHER TRADES, BEFORE CONCRETE IS PLACED. NO SLEEVE, OPENINGS, OR INSERT MAY BE PLACED IN BEAMS, JOISTS, OR COLUMN UNLESS APPROVED BY THE ENGINEER.
26. CONTRACTOR SHALL VERIFY EMBEDDED ITEMS INCLUDING, BUT NOT LIMITED TO, ANCHOR BOLTS, BOLT CLUSTERS, WELD PLATES, ETC., BEFORE PLACING CONCRETE. NOTIFY ENGINEER OF ANY CONFLICTS WITH REBAR.
27. ALL EXPOSED CONCRETE SURFACES TO BE IN ACCORDANCE WITH ACI 301 SECTION 5.3.3.(C), INCLUDING SURFACE TOLERANCE CLASS A AS SPECIFIED IN ACI 117.J.1.0.
28. SEE ARCHITECTURAL DRAWINGS FOR REQUIRED CONCRETE FINISHES.
29. SLOPE WALKWAYS TO DRAIN AWAY FROM THE BUILDING.
30. BUILDING FLOOR AND SITE SLABS-ON-GRADE SHALL BE 4" MINIMUM THICKNESS, UNLESS NOTED OTHERWISE.
A) REINFORCED WITH 6x6 - W1.4 X W1.4 W.W.F.
B) PLACED ON 10 MIL POLYETHYLENE VAPOR RETARDER, LAP 6" AND TAPE ALL JOINTS.
C) SAW-CUT CONTROL JOINTS AT LESS THAN OR EQUAL TO 15'-0" EACH WAY.
D) PROVIDE HOUSEKEEPING PADS AS REQUIRED.
E) SEE DRAWINGS FOR ANY ADDITIONAL CONDITIONS.
31. TESTING
A) A QUALIFIED TESTING LAB SHALL BE RETAINED TO PERFORM QUALITY CONTROL WORK AND ON-SITE TESTING.
B) SLUMP TEST - ASTM 143
C) MOLD AND CURE TEST CYLINDERS (ASTM C-31) AND TEST CYLINDERS FOR STRENGTH (ASTM C39). TAKE ONE TEST - THREE CYLINDERS FOR EACH DAYS POUR OF 100 CUBIC YARDS, OR FRACTION THEREOF. TEST ONE CYLINDER AT 7 DAYS, TWO AT 28 DAYS. TEST CYLINDER SAMPLES SHALL BE TAKEN AT THE POINT OF DISCHARGE WHEN USING A PUMP.
D) ONE COPY OF ALL TEST REPORTS SHALL BE SENT DIRECTLY TO THE OWNER, ENGINEER, ARCHITECT AND GENERAL CONTRACTOR.
32. CONTRACTOR SHALL PROVIDE FLATNESS AND LEVELNESS IN CONCRETE SLABS PER ACI 302.1R, FIG. 10.7 MINIMUM REQUIRED "I" NUMBERS FOR TYPE OF SLAB USE. REFER TO ACI 117 FOR FLOOR TOLERANCES.
33. REPAIR ANY CRACKS OR DEFECTIVE AREAS THAT WILL RESTORE THE AFFECTED SURFACE OR AREAS TO THEIR FULL DESIGN STRENGTH AND APPEARANCE. CONTACT THE STRUCTURAL ENGINEER FOR ADVICE AND EVALUATION.
34. ACCEPTANCE OF THE STRUCTURE WILL BE MADE IN CONFORMANCE WITH ACI 301.
35. ALL CAST-IN-PLACE CONCRETE MUST BE MAINTAINED WITH MINIMAL MOISTURE LOSS AT A RELATIVELY CONSTANT TEMPERATURE FOR A MINIMUM OF 7 DAYS FOLLOWING THE PLACING OF THE CONCRETE BY THE USE OF A WATER SPRAY, WATER SATURATED FABRIC, MOISTURE RETAINING MEMBRANE OR LIQUID CURING COMPOUND.
36. CURE SLABS-ON-GRADE FOR THE FIRST 72 HOURS BY THE USE OF:
A) FOG SPRAYING
B) PONDING
C) SPRINKLING
D) CONTINUOUSLY WET ABSORPTIVE MATS OR FABRIC
E) CONTINUE CURING BY USE OF MOISTURE RETAINING COVER UNTIL CONCRETE HAS OBTAINED ITS SPECIFIED 28 DAY COMPRESSIVE STRENGTH,
F) OR LIQUID CURING COMPOUND AFTER FINISHING PROCESS IS COMPLETED.
G) CONCRETE WET CURE TIME TO BE 7 DAYS MINIMUM AT 50 DEGREES MINIMUM TEMPERATURE.
37. SUBMIT MATERIALS AND METHOD OF CURING FOR REVIEW.
38. DO NOT USE MOISTURE RETAINING CURING COMPOUNDS FOR CURING SURFACES TO RECEIVE CARPET, FLEXIBLE FLOORING, CERAMIC TILED FLOORS OR OTHER SPECIFIED FLOOR SYSTEMS, UNLESS IT HAS BEEN DEMONSTRATED THAT SUCH COMPOUNDS WILL NOT PREVENT BOND.
39. DO NOT PERMIT CONCRETE NOT FULLY CURED TO BE EXPOSED TO EXCESSIVE TEMPERATURE CHANGES OR HIGH WINDS.
40. POUR ALL GROUND SLABS ON 10 MIL MINIMUM VAPOR RETARDER IN COMPLIANCE WITH ASTM E1745, LAPPED 6" MINIMUM AND FULLY TAPED.

- 41. EQUIPMENT MADE OF ALUMINUM OR ALUMINUM ALLOYS, SHALL NOT BE USED FOR PUMP LINES, TREMIES, OR CHUTES OTHER THAN SHORT CHUTES SUCH AS THOSE USED TO CONVEY CONCRETE FROM A TRUCK MIXER.
42. THE CODE PROHIBITS THE USE OF ALUMINUM (CONDUIT, PIPES, ETC.) IN STRUCTURAL CONCRETE UNLESS IT IS EFFECTIVELY COATED OR COVERED.
PRECAST CONCRETE U-INTELS AND SILLS
1. UNITS SHALL BE FABRICATED BY A FIRM ENGAGED IN THE MANUFACTURING OF PRECAST AND PRE-STRESSED CONCRETE U-INTELS AND SILLS FOR A MINIMUM OF 5 YEARS; FABRICATOR SHALL HAVE A QUALITY ASSURANCE PROGRAM THAT COMPLIES WITH THE PROCEDURES OF MANUAL 116 BY THE PRECAST/PRE-STRESSED CONCRETE INSTITUTE (PCI).
2. PLANT RECORDS OF PRODUCTION AND QUALITY CONTROL SHALL BE KEPT IN ACCORDANCE WITH PCI RECOMMENDATIONS AND MADE AVAILABLE UPON REQUEST FOR THE ARCHITECT/ENGINEER.
3. CODES AND STANDARDS:
A) AMERICAN SOCIETY FOR TESTING AND MATERIALS (ASTM)
1) C33 - SPECIFICATION FOR CONCRETE AGGREGATES
2) C150 - SPECIFICATION FOR PORTLAND CEMENT
B) PRECAST/PRE-STRESSED CONCRETE INSTITUTE (PCI) STANDARDS: MANUAL FOR QUALITY CONTROL FOR PRECAST AND PRE-STRESSED CONCRETE MNL-116.
C) AMERICAN CONCRETE INSTITUTE: BUILDING CODE REQUIREMENTS FOR STRUCTURAL CONCRETE (ACI 318)
D) AMERICAN CONCRETE INSTITUTE: BUILDING CODE REQUIREMENTS FOR MASONRY STRUCTURES (ACI 530)
4. CONCRETE MATERIALS:
A) PORTLAND CEMENT: ASTM C150 TYPE I OR III, GRAY COLOR
B) AGGREGATES: ASTM C33
C) WATER: POTABLE
D) ADMIXTURES: SHALL NOT CONTAIN CALCIUM CHLORIDE OR CHLORIDE IONS
5. REINFORCING
A) DEFORMED REINFORCEMENT: ASTM A615 GRADE 40 OR 60.
B) PRE-STRESSING STRAND: ASTM A416 270 KSI LL.
6. U-INTEL UNITS 14 FEET IN OVERALL LENGTH AND SHORTER SHALL BE MADE OF CONCRETE WITH A MINIMUM STRENGTH OF 3500 PSI AT 28 DAYS.
7. U-INTEL UNITS EXCEEDING 14 FEET IN OVERALL LENGTH SHALL BE MADE OF CONCRETE WITH A MINIMUM STRENGTH OF 6000 PSI AT 28 DAYS AND SHALL BE PRE-STRESSED CONCRETE.
8. SILL UNITS SHALL BE MADE OF CONCRETE WITH A MINIMUM STRENGTH OF 3000 PSI AT 28 DAYS.
9. UNITS SHALL BE SAND BLOCK FINISH EXCEPT PRE-STRESSED, 6" WIDE, AND 12" WIDE U-INTELS SHALL BE SMOOTH FORM FINISHED.
10. PRECAST CONCRETE U-INTELS SHALL BE DESIGNED BY A LICENSED DELEGATED ENGINEER.
11. SUBMITTALS
A) PROVIDE MANUFACTURER'S CATALOG ENGINEERING DATA.
B) MANUFACTURER SHALL RATE U-INTEL UNITS FOR GRAVITY, UPLIFT, AND LATERAL LOADS IN UNITS OF POUNDS PER LINEAR FOOT.
MASONRY
1. HOLLOW LOAD BEARING UNITS SHALL CONFORM TO ASTM C90, NORMAL WEIGHT, TYPE II, MINIMUM NET COMPRESSIVE UNIT STRENGTH = 2000 PSI. (NET AREA COMPRESSIVE MASONRY STRENGTH FM = 2000 PSI).
2. MORTAR SHALL BE TYPE S AND CONFORM TO ASTM C270 (PROPORTION OR PROPERTY SPECIFICATION).
3. COARSE GROUT SHALL CONFORM TO ASTM C476:
A) 2500 PSI AT 28 DAYS.
B) 1/4" MAXIMUM AGGREGATE.
C) 8" - 11" SLUMP.
4. CODES AND STANDARDS:
A) SPECIFICATIONS FOR MASONRY STRUCTURES - ACI 530.1/ASCE 6/ TMS 602 IS INCLUDED BY REFERENCE IN ITS ENTIRETY.
B) BUILDING CODE REQUIREMENTS FOR MASONRY STRUCTURES - ACI 530/ ASCE 5/TMS 402.
5. A REINFORCED TIE BEAM SHALL BE PROVIDED IN ALL WALLS SHOWN ON THE STRUCTURAL DRAWINGS AT EACH FLOOR, THE ROOF, AND AT TOP OF ANY PARAPET WALL. USE GALVANIZED MESH-TYPE CELL CAPS. PROVIDE CORNER BARS AT ALL BEAM CORNERS TO MATCH HORIZONTAL BARS.
6. UNLESS NOTED OTHERWISE, TIE BEAMS SHALL BE AS FOLLOWS:
A) ROOF LEVEL: DOUBLE COURSE OF KNOCK-OUT BLOCKS WITH (1) #5 IN EACH COURSE.
B) TOP OF PARAPET: (1) #5 BAR IN GROUTED KNOCK-OUT BLOCKS.
7. VERTICAL BARS SHALL BE HELD IN POSITION AT THE TOP AND BOTTOM OF BAR AND AT 8'-0" O.C. MAXIMUM WITH A MINIMUM CLEARANCE OF 1/2" FROM MASONRY. THE CLEAR DISTANCE BETWEEN BARS SHALL NOT EXCEED ONE BAR DIAMETER, OR MORE THAN 1". CENTER BARS IN WALLS U.N.O.
8. VERTICAL REINFORCING SHALL BE AS SHOWN ON THE DRAWINGS, FILLCELLS WITH COARSE GROUT AS SPECIFIED, PROVIDE ACI 90 DEGREE STANDARD HOOKS INTO FOOTING AND ROOF TIE BEAM. LAP SPICE VERTICAL REINFORCEMENT ABOVE FOOTING AND ABOVE EACH FLOOR LEVEL UNLESS NOTED OTHERWISE. MAINTAIN VERTICAL REINFORCING SHOWN ON PLANS ABOVE AND BELOW MASONRY OPENINGS. CONTINUE FOUNDATION DOWELS BELOW ALL MASONRY OPENINGS.
9. REINFORCED FILL CELLS ARE TO BE CLEAN AND FREE OF ANY FOREIGN MATERIAL OR DEBRIS. REMOVE ANY INSULATING MATERIAL FROM CELLS, INCLUDING POLYSTYRENE INSULATING INSERTS, PRIOR TO GROUT POUR.
10. REINFORCING BARS SHALL BE STRAIGHT EXCEPT FOR BENDS AROUND CORNERS AND WHERE BENDS OR HOOKS ARE DETAILED ON THE PLANS.

THIS DRAWING IS NOT FOR CONSTRUCTION. IT HAS BEEN ISSUED FOR GOVERNMENTAL REVIEW AND/OR PRELIMINARY PRICING ONLY.



CURRIE SOWARDS AGUILA architects

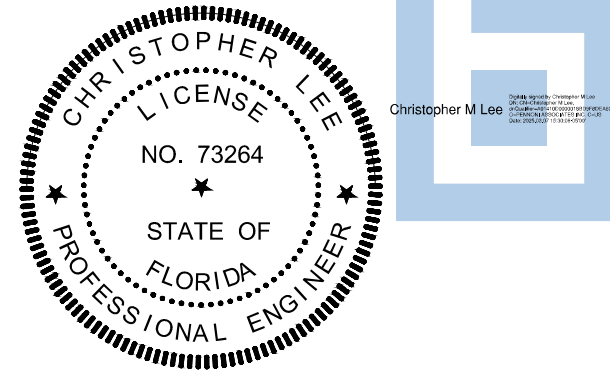
Architecture, Planning, Interiors, & Sustainable Design

AA26001584 185 NE 4TH AVENUE SUITE 101 DELRAY BEACH, FL 33483

T: (561) 276-4951 F: (561) 243-8184 E-MAIL: office@csa-architects.com

ISSUED FOR:

- FLEX SUB
DRC
SPA
BIDS
PERMIT
CONSTRUCTION
SEAL



This item has been electronically signed and sealed by Christopher Lee using a Digital Signature and date. Printed copies of this document are not considered signed and sealed and the signature must be verified on any electronic copies.

PROJECT TITLE

PBCFR FS 24

1734 SEMINOLE BLVD., WEST PALM BEACH, FL. 33409

REVISIONS

Table with 3 columns: NUM., DESCRIPTION, DATE

THESE DRAWINGS ARE PREPARED PER ESTABLISHED INDUSTRY STANDARDS AND REPRESENT THE ARCHITECT AND ENGINEERS DESIGN CONCEPT. THEY ARE NOT INTENDED TO PROVIDE EVERY DETAIL OR CONDITION REQUIRED TO CONSTRUCT THE BUILDING. THE CONTRACTOR THROUGH SUBMITTALS AND OTHER COORDINATION EFFORTS IS FULLY RESPONSIBLE FOR PROVIDING A COMPLETE AND OPERATIONAL BUILDING WHETHER INDICATED ON THE PLANS OR NOT.

DRAWING TITLE

STRUCTURAL SPECIFICATIONS

DRAWING TITLE

DATE DRAWN BY CP

JOB NUMBER 230103

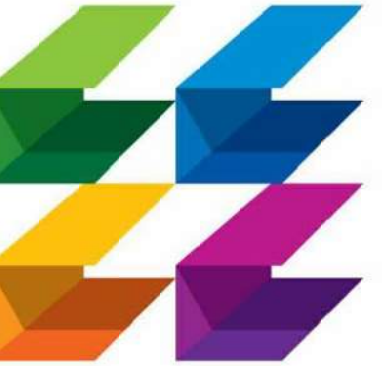
DRAWING NUMBER

S-001

03/07/2025 ISSUE FOR PERMIT

Table with 2 columns: Sheet Number, Sheet Name. Lists sheets S-001 through S-501 including Structural Specifications, Schedules & Wind Tables, Foundation Plan, Roof Framing Plan, Foundation Details, Masonry Details, Roof Framing Details, Wall Sections, and Isometric Framing.

THIS DRAWING IS NOT FOR CONSTRUCTION. IT HAS BEEN ISSUED FOR GOVERNMENTAL REVIEW AND/OR PRELIMINARY PRICING ONLY.



CURRIE SOWARDS AGUILA architects

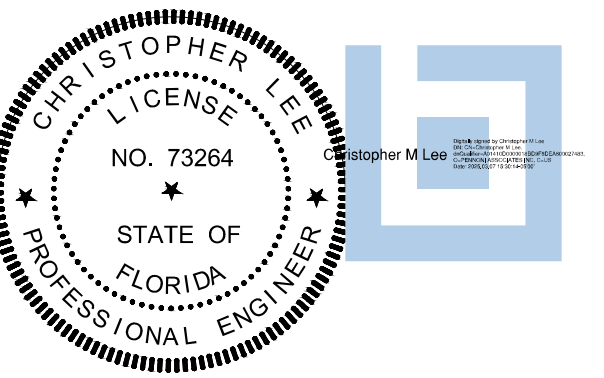
Architecture, Planning, Interiors, & Sustainable Design

AA26001584

185 NE 4TH AVENUE SUITE 101 DELRAY BEACH, FL 33483

T: (561) 276-4951 F: (561) 243-8184 E-MAIL: office@csa-architects.com

ISSUED FOR :
FLEX SUB
DRC
SPA
BIDS
PERMIT
CONSTRUCTION
SEAL



This item has been electronically signed and sealed by Christopher Lee using a Digital Signature and date. Printed copies of this document are not considered signed and sealed and the signature must be verified on any electronic copies.

PROJECT TITLE
PBCFR FS 24

1734 SEMINOLE BLVD., WEST PALM BEACH, FL. 33409

REVISIONS		
NUM.	DESCRIPTION	DATE

THESE DRAWINGS ARE PREPARED PER ESTABLISHED INDUSTRY STANDARDS AND REPRESENT THE ARCHITECT AND ENGINEERS DESIGN CONCEPT. THEY ARE NOT INTENDED TO PROVIDE EVERY DETAIL OR CONDITION REQUIRED TO CONSTRUCT THE BUILDING. THE CONTRACTOR THROUGH SUBMITTALS AND OTHER COORDINATION EFFORTS IS FULLY RESPONSIBLE FOR PROVIDING A COMPLETE AND OPERATIONAL BUILDING WHETHER INDICATED ON THE PLANS OR NOT.

DRAWING TITLE
STRUCTURAL SPECIFICATIONS

DATE	DRAWN BY
	CP
JOB NUMBER	
230103	
DRAWING NUMBER	

S-002

DRILL-IN BOLTS, SCREWS AND DOWELS

- ADHESIVE DOWELING RODS/BOLTS SHALL BE CARBON STEEL THREADED ROD CONFORMING TO ISO 898 5.8 WITH A MINIMUM TENSILE STRENGTH OF 72.5 KSI (500MPa) AND A MINIMUM YIELD OF 58 KSI (400MPa). THREADED RODS WITH NUTS AND WASHERS INSTALLED IN ACCORDANCE WITH MANUFACTURER'S INSTRUCTIONS.
- ANCHORING ADHESIVE SHALL BE A TWO-COMPONENT SYSTEM SUPPLIED IN MANUFACTURER'S STANDARD SIDE-BY-SIDE FOIL PACKAGE AND DISPENSED THROUGH A STATIC-MIXING NOZZLE SUPPLIED BY THE MANUFACTURER. ADHESIVE SHALL BE TESTED AND APPROVED TO MEET THE MINIMUM REQUIREMENTS OF ACI 308.4 FOR CRACKED AND UNCRACKED CONCRETE RECOGNITION. PROVIDE HILTI HY 200 SAFE SET (ESR 3187) OR RE 500 V3 (ESR 3814) ANCHORS BY HILTI OR EQUAL (E.G. SIMPSON SET-3G, ATC ULTRABOND 365CC) UNLESS SPECIFIED OTHERWISE IN THE STRUCTURAL DOCUMENT.
- DRILL-IN REBAR DOWELS SHALL BE SET USING A TWO-PART ADHESIVE AS DESCRIBED ABOVE.
- EXPANSION BOLTS SHALL BE HILTI KB TZ (ESR 1917) OR EQUAL. BOLT SHALL MEET DUCTILITY REQUIREMENTS OF ACI 318 SECTION D1.
- EXPANSION BOLTS SHALL HAVE CARBON STEEL ANCHOR BODY AND NUT AND WASHER SHALL BE ELECTROPLATED ZINC COATING CONFORMING TO ASTM B633 TO A MINIMUM OF 5µm. THE STAINLESS STEEL ANCHOR BODY, NUT AND WASHER, AND EXPANSION SLEEVE SHALL CONFORM TO TYPE 316 STAINLESS STEEL. EXPANSION ANCHORS SHALL MEET THE MINIMUM REQUIREMENTS OF ACI 308.2 FOR CRACKED AND UNCRACKED CONCRETE. INSTALL IN ACCORDANCE WITH MANUFACTURER'S INSTRUCTIONS.
- MASONRY SCREWS SHALL BE 1/4" DIAMETER WITH 1-5/8" MINIMUM EMBEDMENT INSTALLED IN DRILLED HOLES USING AN APPROPRIATE BIT DIAMETER.
- SCREWS SHALL HAVE A BODY MADE OF CARBON STEEL AND SHALL BE HEAT TREATED AND SHALL HAVE 8µm ZINC COATING IN ACCORDANCE WITH EN ISO 4042. PROVIDE HUS EZ (ESR 3027) SCREWS BY HILTI OR EQUAL.
- HEAVY-DUTY CONCRETE AND MASONRY SCREWS SHALL BE TESTED AND APPROVED TO MEET THE MINIMUM REQUIREMENTS OF ACI 308.2. HILTI KWICK HUS EZ (ESR-3027 FOR CONCRETE, ESR-3056 FOR GROUT FILLED MASONRY), HEAVY DUTY SCREWS BY HILTI OR EQUAL.
- THE CONTRACTOR SHALL ARRANGE FOR AN ANCHOR MANUFACTURER'S REPRESENTATIVE TO PROVIDE ONSITE INSTALLATION TRAINING FOR ALL OF THE ANCHORING PRODUCTS SPECIFIED. PENNONI TO RECEIVE DOCUMENTED CONFIRMATION THAT ALL OF THE CONTRACTOR'S PERSONNEL WHO ARE TO INSTALL ANCHORS ARE TRAINED PRIOR TO THE COMMENCEMENT OF INSTALLATION.

STRUCTURAL STEEL

- STRUCTURAL STEEL SHALL CONFORM TO THE AISC "SPECIFICATION FOR BUILDINGS", LATEST EDITION.
- WELDED CONNECTIONS SHALL CONFORM TO THE LATEST REVISED CODE OF THE AMERICAN WELDING SOCIETY, AWS D1.1. ALL WELDING SHALL BE PERFORMED USING E70XX, LOW HYDROGEN ELECTRODES. ELECTRODES ARE TO BE PROTECTED FROM MOISTURE.
- CONNECTIONS TO BE DOUBLE ANGLE FRAMED BEAM CONNECTION PER AISC UNLESS NOTED OTHERWISE. ALL BOLTS TO BE 3/4" DIAMETER UNLESS NOTED OTHERWISE. SHOP CONNECTIONS MAY BE WELDED OR BOLTED. WELDS ARE TO BE EQUAL IN STRENGTH TO BOLTS. ALL FIELD CONNECTIONS ARE TO BE BOLTED WITH ASTM A325N OR A490 BOLTS (BEARING TYPE BOLTS WITH THREADS IN THE SHEAR PLANE) INCLUDING SUITABLE NUTS AND PLAIN HARDENED WASHERS. ALL BOLTS SHALL BE TIGHTENED SNUG TIGHT UNLESS OTHERWISE NOTED. DESIGN CONNECTIONS FOR THE LARGER OF EITHER THE SHEAR SHOWN ON THE DRAWINGS, (INDICATED AS "V" OR "H" AT ENDS OF MEMBER) OR 55% OF THE MAXIMUM LOAD IN KIPS LISTED IN THE TABLES FOR "MINIMUM TOTAL FACTORED UNIFORM LOADS IN KIPS FOR BRACED, SIMPLE SPAN BEAMS BENT ABOUT THE STRONG AXIS" OF THE LATEST EDITION OF THE AISC "MANUAL OF STEEL CONSTRUCTION".
- SIZE AND USE OF HOLES: SEE AISC TABLE J3.3.
 - LARGER HOLES ARE PERMITTED IN STANDARD COLUMN BASE PLATES. MAXIMUM HOLE DIAMETER = BOLT DIAMETER + 3/8". HARDENED WASHERS, TO COVER THE LARGER HOLE, SHALL BE PROVIDED.
 - LARGER HOLES ARE NOT PERMITTED IN WIND FRAME COLUMN BASE PLATES. MAXIMUM HOLE DIAMETER = BOLT DIAMETER + 1/16".
 - SLOTTED HOLES: A PLATE WASHERS OR A CONTINUOUS BAR WITH STANDARD HOLES, HAVING A SIZE SUFFICIENT TO COMPLETELY COVER THE SLOT AFTER INSTALLATION, AND A MIN. OF 5/16" THICK SHALL BE PROVIDED. TACK WELD NUT TO BOLT AFTER ERECTION.
- STEEL BEAMS SHALL BE FABRICATED WITH THE NATURAL CAMBER (WITHIN THE MILL TOLERANCE) LOCATED ABOVE THE HORIZONTAL CENTERLINE BETWEEN THE END CONNECTIONS.
- VERIFY THE EXACT SIZE AND LOCATION OF ALL FLOOR AND ROOF OPENINGS FOR MECHANICAL EQUIPMENT WITH THE MECHANICAL CONTRACTOR PRIOR TO FABRICATION OF MATERIALS.
- SHOP PRIME STEEL SURFACES EXCEPT THE FOLLOWING:
 - SURFACES EMBEDDED IN CONCRETE OR MORTAR. EXTEND PRIMING OF PARTIALLY EMBEDDED MEMBERS TO A DEPTH OF 2 INCHES.
 - SURFACES TO BE FIELD WELDED.
 - SURFACES TO BE HIGH-STRENGTH BOLTED WITH SUP-CRITICAL CONNECTIONS.
 - SURFACES TO RECEIVE SPRAYED FIRE-RESISTIVE MATERIALS.
 - GALVANIZED SURFACES.
- SURFACE PREPARATION: CLEAN SURFACES TO BE PAINTED. REMOVE LOOSE RUST AND MILL SCALE AND SPATTER, SLAG, OR FLUX DEPOSITS. PREPARE SURFACES ACCORDING TO THE FOLLOWING SPECIFICATIONS AND STANDARDS.
 - PRIMING: IMMEDIATELY AFTER SURFACE PREPARATION, APPLY PRIMER ACCORDING TO MANUFACTURER'S WRITTEN INSTRUCTIONS AND AT RATE RECOMMENDED BY SSPC TO PROVIDE A DRY FILM THICKNESS OF NOT LESS THAN 1.5 MILS. USE PRIMING METHODS THAT RESULT IN FULL COVERAGE OF JOINTS, CORNERS, EDGES, AND EXPOSED SURFACES.
 - STRIP PAINT CORNERS, CREVICES, BOLTS, WELDS, AND SHARP EDGES.
 - APPLY TWO COATS OF SHOP PAINT TO INACCESSIBLE SURFACES AFTER ASSEMBLY OR ERECTION. CHANGE COLOR OF SECOND COAT TO DISTINGUISH IT FROM FIRST.
- PRIME AND PAINT ALL FIELD WELDS AFTER INSPECTION.

- A QUALIFIED TESTING LABORATORY SHALL BE RETAINED TO PERFORM THE FOLLOWING TESTS.
 - VISUALLY INSPECT ALL STEEL MEMBERS AND CONNECTIONS.
- ONE COPY OF ALL TEST REPORTS SHALL BE SENT DIRECTLY TO OWNER, ARCHITECT, STRUCTURAL ENGINEER, AND GENERAL CONTRACTOR.
- STEEL SHALL CONFORM TO:
WIDE FLANGE (WF)(WT)-----ASTM A992 (50 KSI)
SHAPES (S, L, C, MC)-----ASTM A36
HOLLOW STRUCTURAL SECTIONS (HSS)-----ASTM A500 GRADE C (RECTANGULAR 50 KSI; ROUND 48 KSI)
ANCHOR RODS-----ASTM F1554 (55 KSI W/S1 SUPPLEMENT)
ANCHOR BOLTS-----ASTM A307
FRAMING BOLTS-----ASTM A325N OR A490N
WELDING ELECTRODES-----E70XX
- FASTENERS AND MATERIALS USED FOR WELDING OR OTHERWISE SECURING COMPONENTS ONE TO ANOTHER SHALL BE OF DOMESTIC (USA MADE) MANUFACTURE. SIMILARLY, ALL MATERIALS USED IN THE MANUFACTURING PROCESS SHALL BE FROM A DOMESTIC SOURCE.
- SHOP AND FIELD WELDS SHALL BE DONE BY A W.S. CERTIFIED WELDER. PROVIDE CURRENT CERTIFICATES UPON REQUEST.
- NO SPLICES SHALL BE PERMITTED IN ANY STRUCTURAL STEEL MEMBER UNLESS SHOWN ON APPROVED SHOP DRAWINGS.
- STEEL STAIRS AND/OR LADDERS SHALL BE DESIGNED FOR 100 PSF LIVE LOAD BY A LICENSED DELEGATED ENGINEER, WHO SHALL SUBMIT SIGNED AND SEALED SHOP DRAWINGS. SHOP DRAWINGS SHALL SPECIFY ALL DESIGN LOADS.
- SUBMITTALS: CONTRACTOR SHALL SUBMIT DETAILED SHOP DRAWINGS SHOWING ALL STRUCTURAL STEEL LAYOUTS AND DETAILS, SIZES OF MEMBERS, TYPE OF STEEL, CONNECTION DETAILS, WELDS, BOLTS, ETC., AS REQUIRED TO FABRICATE AND ERECT ALL STRUCTURAL STEEL FRAMING. ALL CONNECTIONS NOT SHOWN ON THE STRUCTURAL DRAWINGS SHALL BE DESIGNED BY THE DETAILER AND SUBMITTED ON SHOP DRAWINGS, SIGNED AND SEALED BY A REGISTERED FLORIDA DELEGATED ENGINEER.
- NON-SHRINK GROUT SHALL BE: NONMETALLIC SHRINKAGE-RESISTANT GROUT, PREMIXED, NON-CORROSIVE, NON-STAINING PRODUCT CONTAINING SELECTED SILICA SANDS, PORTLAND CEMENT, SHRINKAGE COMPENSATING AGENTS, PLASTICIZING AND WATER-REDUCING AGENTS, COMPLYING WITH CRD-C621, CORPS OF ENGINEERS.
- IF NOT SPECIFIED ON THE DRAWINGS, THE THROAT SIZE OF ANY FILLET WELD SHALL BE EQUAL TO 1/16" LESS THAN THE THINNEST CONNECTION COMPONENT.
- NO FIELD WELDING OF GALVANIZED MEMBERS IS PERMITTED.
- MINIMUM EMBEDMENT DEPTH OF ANCHOR BOLTS:
 - BEAMS, COLUMNS, WALLS = 6"
 - FOOTINGS = 3" FROM BOTTOM
- ERECTION
 - BEFORE ERECTION, THE CONTRACTOR IS TO REMOVE ALL MUD, DIRT OR OTHER FOREIGN MATTER, WHICH ACCUMULATES DURING HANDLING AND STORAGE.
 - DRIFTING TO ENLARGE UNFAIR HOLES WILL NOT BE PERMITTED. DRILL SUCH HOLES TO ACCOMMODATE THE NEXT LARGER SIZE FASTENER, WHERE POSSIBLE.
 - AFTER ERECTION, CLEAN FIELD WELDS, BOLTED CONNECTIONS, AND ABRADED AREAS WHERE SHOP COAT HAS BEEN DAMAGED. SPOT AND PRIME AREAS USING SAME MATERIAL AS SHOP COAT.
 - SET ALL MEMBERS SO THAT, IN THEIR FINAL LOCATION, LEVEL, PLUMBNESS AND ALIGNMENT ARE WITHIN THE TOLERANCES PRESCRIBED BY AISC CODE.
 - DOUBLE CONNECTIONS THROUGH COLUMN WEBS OR AT BEAMS THAT FRAME OVER THE TOPS OF COLUMNS MUST BE DESIGNED TO HAVE AT LEAST ONE INSTALLED BOLT REMAIN IN PLACE TO SUPPORT THE FIRST BEAM WHILE THE SECOND BEAM IS BEING ERECTED. ALTERNATIVELY, THE FABRICATOR MUST SUPPLY A SEAT OR EQUIVALENT DEVICE WITH A MEANS OF POSITIVE ATTACHMENT TO SUPPORT THE FIRST BEAM WHILE THE SECOND BEAM IS BEING ERECTED.

OPEN WEB STEEL JOISTS

- STEEL JOIST MANUFACTURER SHALL BE A MEMBER OF THE STEEL JOIST INSTITUTE.
- STEEL JOISTS SHALL CONFORM TO THE REQUIREMENTS OF THE LATEST EDITION OF THE AISC STANDARD SPECIFICATIONS FOR OPEN WEB STEEL JOISTS K, LH, OR DLH SERIES (SEE PLAN), AND OSHA STEEL ERECTION STANDARD.
- JOISTS, AND ALL ACCESSORIES SHALL BE DESIGNED BY A LICENSED DELEGATED ENGINEER WHO SHALL PREPARE DESIGN CALCULATIONS AND SUPERVISE THE PREPARATION OF SHOP DRAWINGS.
- VERIFY THE EXACT LOCATION AND WEIGHT OF ALL MECHANICAL EQUIPMENT WITH THE MECHANICAL CONTRACTOR PRIOR TO FABRICATION OF JOISTS.
- ALL HANGERS TO SUPPORT MECHANICAL EQUIPMENT, ETC., TO BE SUPPORTED BY THE TOP OR BOTTOM CHORD OF JOISTS SHALL BE LOCATED AT THE PANEL POINT OF THE JOIST. IF HANGERS MUST BE LOCATED IN BETWEEN PANEL POINTS, PROVIDE JOIST STIFFENER AS INDICATED IN DETAILS. ALL HANGERS TO BE LOCATED AT THE CENTERLINE OF THE BOTTOM CHORD MEMBER.
- NO MODIFICATION THAT AFFECTS THE STRENGTH OF A STEEL JOIST SHALL BE MADE WITHOUT THE APPROVAL OF THE DELEGATED ENGINEER.
- DELEGATED ENGINEER SHALL DESIGN JOISTS AND BRIDGING FOR GRAVITY LOADS AND WIND LOAD UPLIFT PRESSURES INDICATED ON THE DRAWINGS.
- JOIST BRIDGING SHALL BE FURNISHED AND INSTALLED TO MEET THE DESIGN AND SPACING REQUIREMENTS OF THE SJI STANDARD SPECIFICATIONS. ALL BRIDGING AND BRIDGING ANCHORS SHALL BE COMPLETELY INSTALLED BEFORE CONSTRUCTION LOADS ARE PLACED ON THE JOISTS.
- WHERE COLUMNS ARE NOT FRAMED IN AT LEAST TWO DIRECTIONS WITH SOLID WEB BEAMS, A STEEL JOIST SHALL BE FIELD-BOLTED AT THE COLUMN TO PROVIDE LATERAL STABILITY DURING ERECTION.
- A 6"x6" MINIMUM VERTICAL STABILIZER PLATE TO RECEIVE THE JOIST BOTTOM CHORD MUST BE PROVIDED AT COLUMNS. THE STABILIZER PLATE MUST HAVE A 13/16 INCH HOLE FOR THE ATTACHMENT OF GUYING OR PLUMBING CABLES.
- JOISTS AND ACCESSORIES SHALL HAVE ONE SHOP COAT OF PAINT MEETING THE MINIMUM PERFORMANCE REQUIREMENTS OF THE LATEST SJI SPECIFICATIONS. SEE ARCHITECT FOR PREFERRED COLOR.

- SEE PLAN FOR ANY CONCENTRATED LOADS OR UNUSUAL CONDITIONS. ALL JOISTS SUBJECT TO SPECIAL LOADS OR CONDITIONS SHALL BE CONSIDERED "SPECIAL JOISTS", (SP).
- CONTRACTOR SHALL SUBMIT DETAILED SHOP DRAWINGS SHOWING JOISTS, BRIDGING, AND ALL CONNECTIONS. SHOP DRAWINGS SHALL BE SIGNED AND SEALED BY THE DELEGATED ENGINEER.
- THE DELEGATED ENGINEER MUST BE PROVIDED WITH A COPY OF THESE DRAWINGS AND SPECIFICATIONS.
- UNLESS PANELIZED, ALL JOISTS 40 FOOT LONG AND LONGER AND THEIR BEARING MEMBERS MUST HAVE HOLES TO ALLOW FOR INITIAL CONNECTIONS BY BOLTING.
- PROVIDE ONE ROW UPLIFT BRIDGING AT THE FIRST PANEL POINT FROM EACH SUPPORT.
- A ROW OF BOLTED DIAGONAL BRIDGING MUST BE PROVIDED NEAR MIDSPAN OF ALL JOISTS SHOWN IN SJI TABLES A & B. DO NOT RELEASE HOISTING CABLES UNTIL THIS BRIDGING IS INSTALLED.
- DURING THE CONSTRUCTION PERIOD, THE CONTRACTOR SHALL PROVIDE MEANS FOR ADEQUATE DISTRIBUTION OF CONCENTRATED LOADS SO THAT THE CARRYING CAPACITY OF ANY JOIST IS NOT EXCEEDED.
- ONE END OF ALL JOISTS SHALL BE ATTACHED TO ITS SUPPORT IN ACCORDANCE WITH SJI SPECIFICATIONS BEFORE ALLOWING THE WEIGHT OF AN ERECTOR ON THE JOISTS.
- SEE STANDARD JOIST SPECIFICATIONS FOR CAMBER REQUIREMENTS.
- SUBMIT COMPLETE SHOP DRAWINGS FOR ALL JOISTS AND ACCESSORIES, AND A LETTER, SIGNED AND SEALED BY THE DELEGATED ENGINEER, CONFIRMING COMPLIANCE WITH THE DESIGN CRITERIA AND ALL APPLICABLE CODES.

METAL DECKING

- METAL DECK WORK SHALL CONFORM TO THE REQUIREMENTS OF THE STEEL DECK INSTITUTE.
- METAL ROOF DECK SHALL BE 50 KSI, 1 1/2" DEEP, 18 GA., WIDE RIB TYPE B AND GALVANIZED. (VULCRAFT 1.5B22 OR EQUIVALENT.)
- FASTEN ROOF DECK WITH 5/8" DIAMETER PUDDLE WELDS AT EACH SUPPORT PER 36" WIDTH AND #12 STEEL SCREWS AT MIDSPAN OF SIDELAPS AS INDICATED ON PLANS.
- MINIMUM FASTENING AT BUILDING PERIMETER OF DECK SHALL BE 5/8" DIAMETER PUDDLE WELDS AT 6" O.C.
- METAL DECK AND SHEET METAL COATING DESIGNATION: WITH STRUCTURAL CONCRETE OR INSULATING CONCRETE TOPPING - G60
- WITHOUT STRUCTURAL CONCRETE OR INSULATING CONCRETE TOPPING - G60
- INSTALL ALL DECKING 3 SPAN CONTINUOUS.
- USE WELD WASHERS FOR ALL DECKING 24 GA. AND THINNER.
- DO NOT HANG OR ATTACH DUCTWORK, CONDUIT, PIPING, EQUIPMENT, CEILINGS, ETC. FROM METAL DECKING.
- ROOF DECK OPENINGS 12" DIAMETER OR LARGER ARE TO HAVE SUPPORT ANGLES PER TYPICAL DECK OPENING DETAIL, INCLUDING OPENINGS FOR FIELD SUMP PANS.
- PRIME AND PAINT ALL ROOF WELDS AFTER INSPECTION WITH A GALVANIZED TOUCH-UP PAINT. (SEE NOTE BELOW)
- SUBMITTALS: CONTRACTOR SHALL SUBMIT DETAILED SHOP DRAWINGS SHOWING LAYOUT OF DECK, TYPE OF DECK, ALL CONNECTIONS INCLUDING END WELDS, SEAM WELDS, INTERMEDIATE WELDS, AND ALL ACCESSORY MATERIAL SUCH AS CLOSURES, SUMPS FOR DRAINS, ETC.
- A QUALIFIED TESTING LABORATORY SHALL BE RETAINED TO VISUALLY INSPECT ALL DECK WELDS AND FASTENERS.

COLD-FORM STEEL FRAMING

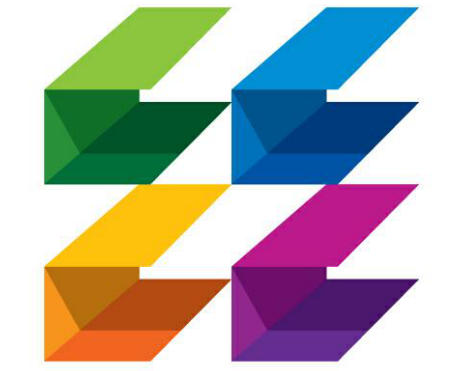
- STEEL FRAMING SHALL CONFORM TO THE A.I.S.I. "SPECIFICATION FOR THE DESIGN OF COLD-FORMED STEEL STRUCTURAL MEMBERS".
- COLD-FORMED STEEL FRAMING SYSTEM, INCLUDING STUDS, TRUSSES, CONNECTIONS, AND ALL ACCESSORIES, SHALL BE DESIGNED BY A DELEGATED ENGINEER WHO SHALL PREPARE CALCULATIONS AND SUPERVISE THE PREPARATION OF SHOP DRAWINGS.
- WELDED CONNECTIONS SHALL CONFORM TO "CODE FOR WELDING IN BUILDING CONSTRUCTION, AWS D1.3".
- ASTM A-568 STANDARD SPECIFICATION FOR GENERAL REQUIREMENTS FOR STEEL, CARBON AND HIGH STRENGTH LOW-ALLOY HOT ROLLED SHEET AND COLD ROLLED SHEET.
- ALL STEEL FRAMING SHALL BE INSTALLED BY PERSONNEL EXPERIENCED IN LIGHT GAUGE STEEL FRAMING INSTALLATION.
- WHERE STEEL FRAMING MEMBERS ARE COMPONENTS OF ASSEMBLIES INDICATED FOR A FIRE-RESISTANCE RATING, INCLUDING THOSE REQUIRED FOR COMPLIANCE WITH GOVERNING REGULATIONS, PROVIDE MEMBERS WHICH HAVE BEEN APPROVED BY GOVERNING AUTHORITIES HAVING JURISDICTION.
- PROTECT LIGHT GAUGE STEEL FRAMING MEMBERS FROM RUSTING AND DAMAGE. DELIVER TO PROJECT SITE IN BUNDLES, FULLY IDENTIFIED WITH NAME, BRAND, TYPE AND GRADE. STORE OFF GROUND IN A DRY VENTILATED SPACE OR PROTECT WITH SUITABLE WATERPROOF COVERINGS.
- WITH EACH TYPE OF STEEL FRAMING REQUIRED, PROVIDE MANUFACTURER'S STANDARD STEEL RUNNERS (TRACKS), BLOCKING, LINTELS, CLIP ANGLES, BRACING, REINFORCEMENTS, FASTENERS, AND ACCESSORIES AS RECOMMENDED BY MANUFACTURER FOR APPLICATIONS INDICATED, AS NEEDED TO PROVIDE A COMPLETE STEEL FRAMING SYSTEM.
- FABRICATE METAL FRAMING COMPONENTS OF STRUCTURAL QUALITY SHEET STEEL WITH A MINIMUM YIELD POINT OF 50,000 PSI FOR STUDS, AND 33,000 PSI FOR RUNNERS; ASTM A653.
- PROVIDE GALVANIZED FINISH TO METAL FRAMING COMPONENTS COMPLYING WITH ASTM A525 WITH A G60 COATING.
- PROVIDE MANUFACTURER'S STANDARD STRUCTURAL "CEE" SHAPED STEEL STUDS OF SIZE, SHAPE, AND GAUGE INDICATED, WITH A NOMINAL 1-5/8" FLANGE AND MINIMUM 1/2" FLANGE RETURN LIP BY DIETRICH INDUSTRIES, INC. OR PRIOR APPROVED EQUAL.

- THE EXTERIOR WALL SYSTEM SHALL BE DESIGNED TO WITHSTAND BOTH POSITIVE AND NEGATIVE WIND PRESSURE WITH A MAXIMUM DEFLECTION BASED UPON THE APPLICABLE CODE AND MATERIAL REQUIREMENTS OF THE VENEER, BUT SHALL NOT EXCEED L/360.
- FRAMING COMPONENTS MAY BE PREFABRICATED INTO PANELS PRIOR TO ERECTION, FABRICATE PANELS PLUMB, SQUARE, TRUE TO LINE AND BRACED AGAINST RACKING WITH JOINTS WELDED. PERFORM LIFTING OF PREFABRICATED PANELS IN A MANNER TO PREVENT DAMAGE OR DISTORTION.
- INSTALL METAL FRAMING SYSTEMS IN ACCORDANCE WITH REVIEWED SHOP DRAWINGS.
- INSTALL CONTINUOUS TRACKS SIZED TO MATCH STUD DEPTH. ALIGN TRACKS ACCURATELY TO LAYOUT AT BASE AND TOPS OF STUDS. SECURE TRACKS AS RECOMMENDED BY STUD MANUFACTURER FOR TYPE OF CONSTRUCTION INVOLVED, EXCEPT DO NOT EXCEED 24" O.C. SPACING FOR NAIL OR POWDER-DRIVEN FASTENERS, OR 16" O.C., FOR OTHER TYPES OF ATTACHMENT. PROVIDE FASTENERS AT CORNERS AND ENDS OF TRACKS.
- FRAME BOTH SIDES OF EXPANSION AND CONTROL JOINTS, AS SHOWN FOR THE WALL SYSTEM, WITH SEPARATE STUDS AND DO NOT BRIDGE THE JOINT WITH COMPONENTS OF THE STUD SYSTEM.
- WHERE REQUIRED, TEMPORARY BRACING SHALL BE PROVIDED UNTIL ERECTION IS COMPLETED.
- RESISTANCE TO BENDING AND ROTATION ABOUT THE MINOR AXIS SHALL BE PROVIDED BY MECHANICAL LATERAL BRACING WHERE REQUIRED.
- ATTACHMENTS OF SIMILAR COMPONENTS SHALL BE DONE BY WELDING, SCREW ATTACHMENT, OR BOLTING. WIRE TYING OF FRAMING COMPONENTS SHALL NOT BE PERMITTED.
- WELDING OF MEMBERS LIGHTER THAN 18 GAUGE SHALL NOT BE PERMITTED.
- SPLICES SHALL NOT BE PERMITTED.
- PROVIDE HORIZONTAL BLOCKING BETWEEN EACH STUD AT 4'-0" ON CENTER MAXIMUM OR AT EACH SHEATHING JOINT.
- FULLY INSTALL ALL BRIDGING BEFORE APPLYING LOADS.
- CONTRACTOR TO SUBMIT THE FOLLOWING:
 - SUBMIT COMPLETE STRUCTURAL CALCULATIONS FOR THE STEEL FRAMING SYSTEM. CALCULATIONS SHALL COVER ALL STUDS, JAMB STUDS, RUNNER TRACK, BRACING, ATTACHMENT OF LIGHT GAUGE FRAMING TO LIGHT GAUGE FRAMING, AND ATTACHMENT OF LIGHT GAUGE FRAMING TO CONCRETE OR STRUCTURAL STEEL.
 - SUBMIT DETAILED SHOP DRAWINGS FOR STEEL FRAMING SHOWING THE TYPE AND SPACING OF ALL MEMBERS. ALL ATTACHMENTS SHALL BE CLEARLY DETAILED ON THE DRAWINGS, INDICATED SUPPLEMENTAL STRAPPING, BRACING, CLIPS, AND OTHER ACCESSORIES REQUIRED FOR PROPER INSTALLATION.
 - SUBMIT CERTIFICATION OF MATERIALS FROM THE MANUFACTURER TO SHOW COMPLIANCE WITH THESE SPECIFICATIONS AND RELATED DRAWINGS.
- SUBMITTALS SHALL BEAR THE SEAL OF THE DELEGATED ENGINEER.
- SUBMITTED SHOP DRAWINGS MUST BE CHECKED AND SIGNED BY THE GENERAL CONTRACTOR.

THIS DOCUMENT IS THE PROPERTY OF CURRIE SOWARDS AGUILA ARCHITECTS INC. ALL RIGHTS ARE RESERVED. ANY POSSESSION, REPRODUCTION OR OTHER USE OF THIS DOCUMENT, WITHOUT THE WRITTEN CONSENT OF CURRIE SOWARDS AGUILA ARCHITECTS INC., IS PROHIBITED. 4/16/2026 2:46:54 PM

THIS DRAWING IS NOT FOR CONSTRUCTION. IT HAS BEEN ISSUED FOR GOVERNMENTAL REVIEW AND/OR PRELIMINARY PRICING ONLY.

Pennoni
 5755 Rio Vista Drive
 Clearwater, FL 33760-3137
 (727) 536-8772
 Florida Co# 7819
 Christopher Lee, P.E., S.E.
 Florida P.E. # 73264
 Pennoni Project No. CSA023002



CURRIE SOWARDS AGUILA architects
 Architecture, Planning, Interiors, & Sustainable Design
 AA26001584
 185 NE 4TH AVENUE SUITE 101
 DELRAY BEACH, FL 33483
 T: (561) 276-4951 F: (561) 243-8184
 E-MAIL: office@csa-architects.com

ISSUED FOR:
 FLEX SUB
 DRC
 SPA
 BIDS
 PERMIT
 CONSTRUCTION
 SEAL

PROJECT TITLE
PBCFR FS 24
 1734 SEMINOLE BLVD.,
 WEST PALM BEACH, FL.
 33409

REVISIONS

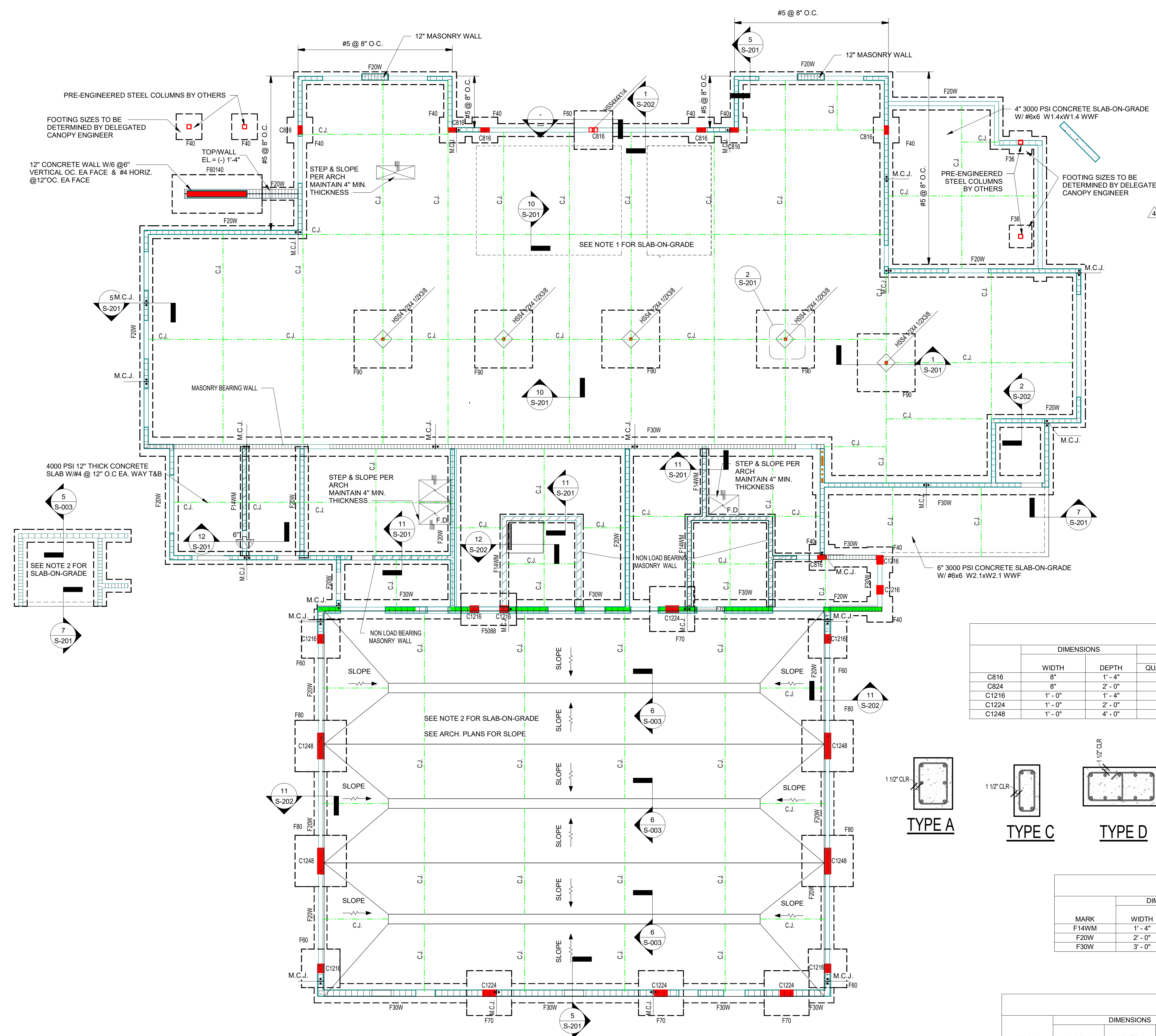
NUM.	DESCRIPTION	DATE
4	BUILDING DEPT. CO.	04.17.26

ISSUE FOR PERMIT

THESE DRAWINGS ARE PREPARED PER ESTABLISHED INDUSTRY STANDARDS AND REPRESENT THE ARCHITECT AND ENGINEERS DESIGN CONCEPT. THEY ARE NOT INTENDED TO PROVIDE EVERY DETAIL OR CONDITION REQUIRED TO CONSTRUCT THE BUILDING. THE CONTRACTOR THROUGH SUBMITTALS AND OTHER COORDINATION EFFORTS IS FULLY RESPONSIBLE FOR PROVIDING A COMPLETE AND OPERATIONAL BUILDING WHETHER INDICATED ON THE PLANS OR NOT.

DRAWING TITLE
FOUNDATION PLAN

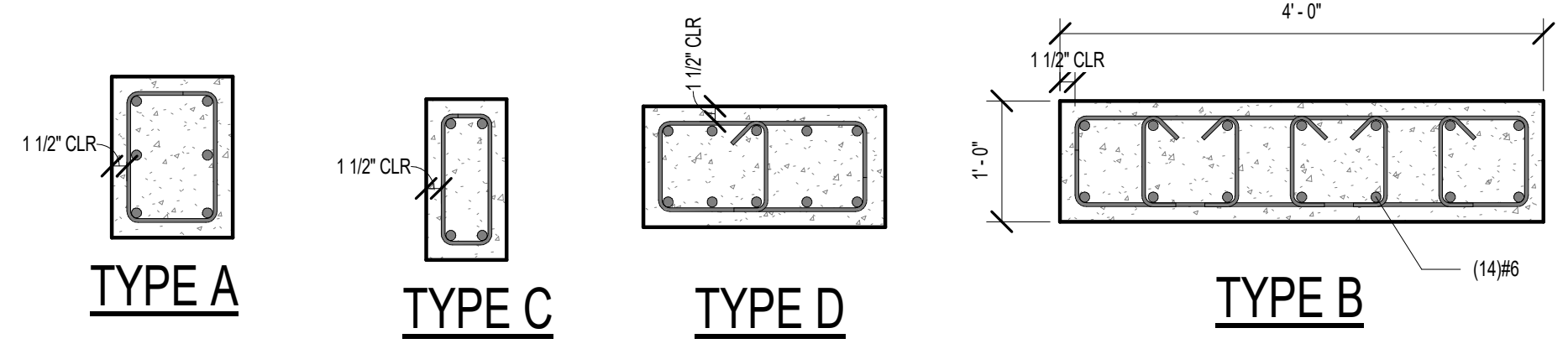
DATE: | DRAWN BY: CP
 JOB NUMBER: 230103
 DRAWING NUMBER: **S-101**



- FOUNDATION PLAN NOTES**
- SLAB-ON-GRADE TO BE 4" THICK, 3000 PSI CONC. REINF. W/ #6x6 - W1.4xW1.4 W.W.F. U.O. ON 10 MIL VAPOR RETARDER, LAP AND TAPE-OVER COMPACTED SOIL. REFER TO ARCH. FOR EXTENT OF SLAB. SEE SPECIFICATION FOR FINISH REQUIREMENTS.
 - SLAB-ON-GRADE IN APPARATUS BAY TO BE 8" (4000 PSI) W/ #4 BARS @ 12" O.C. EA. WAY OVER 10 MIL VAPOR RETARDER LAP & TAPE 8". COMPACT SUBGRADE PER GEOTECH REPORT. SEE ARCH. SPECIFICATIONS FOR FINISH REQUIREMENTS. SLOPE SLAB TO TRENCH DRAIN.
 - TOP OF SLAB = 0.0' U.O. TOP EXTERIOR OF FOOTINGS = (-) 1'-4" U.O. TOP INTERIOR FTG. = (-) 1'-4" U.O.
 - CENTER ALL FOOTINGS BELOW WALL/COLUMN U.O.
 - ALL WALL FOOTINGS TO BE F20W U.O.
 - ALL FOOTING REINFORCING TO BE BOTTOM BARS U.O.
 - INDICATES 8" NOMINAL MASONRY WALLS REINFORCE W/ #6 @ 16" O.C. IN FULLY GROUTED CELLS & AT ALL WALL INTERSECTIONS, SIDES OF OPENINGS AND AT CORNERS W/ MATCHING DOWELS INTO FOUNDATION CONT. UP THROUGH THE BEAM @ FLOOR ELEVATION & HOOK INTO THE BEAM @ ROOF ELEV.
 - INDICATES 8" NON-BEARING MASONRY W/ #5 @ 8'-0" O.C. MAX.
 - INDICATES 12" NOMINAL MASONRY WALLS REINFORCE W/ #6 @ 16" O.C. IN FULLY GROUTED CELLS & AT ALL WALL INTERSECTIONS, SIDES OF OPENINGS AND AT CORNERS W/ MATCHING DOWELS INTO FOUNDATION CONT. UP THROUGH THE BEAM @ FLOOR ELEVATION & HOOK INTO THE BEAM @ ROOF ELEV.
 - REFER TO SHEETS S-001 AND S-002 FOR SPECIFICATIONS.
 - VERIFY ALL DIMENSIONS W/ ARCH. PRIOR TO FABRICATION & CONSTRUCTION. SEE ARCH DRAWINGS FOR MASONRY OPENING SIZE & LOCATION.
 - VERIFY FOOTING ELEVATIONS W/ CIVIL. MAINTAIN 12" SOIL COVER ON TOP OF FOOTING. TYP. REFER TO 4/S-201
 - CJ = CONTRACTION JOINT SEE 9 & 10 / S-201.
 - M.C.J. = VERIFY ALL MASONRY CONTROL JOINT (MCJ) LOCATIONS WITH SPECIFICATIONS AND ARCHITECT. SEE 8 & 9 / S-202.
 - ALL ARCHITECTURALLY EXPOSED MASONRY SHALL BE CONSTRUCTED WITH SMOOTH, NON-BROKEN, UNCHIPPED BLOCKS WITH FLUSH STRUCK MORTAR JOINTS.
 - SEE S-201 & S-202 FOR TYPICAL FOUNDATION DETAILS
 - FD = FLOOR DRAIN SEE PLUMBING DRAWINGS. SLOPE SLAB PER ARCH.

CONCRETE COLUMN SCHEDULE

MARK	DIMENSIONS		REINFORCING				REMARKS
	WIDTH	DEPTH	LONGITUDINAL QUANTITY	SIZE	TIES SIZE	SPACING	
C816	8"	1'-4"	4	6	3	8"	TYPE C
C824	8"	2'-0"	6	6	3	8"	TYPE A
C1216	1'-0"	1'-4"	6	6	3	8"	TYPE A
C1224	1'-0"	2'-0"	10	6	3	6"	TYPE D
C1248	1'-0"	4'-0"	14	6	4	4"	TYPE B



WALL FOOTING SCHEDULE

MARK	DIMENSIONS		REINFORCING				NOTES
	WIDTH	DEPTH	LONGITUDINAL QUANTITY	SIZE	TRANSVERSE QUANTITY	SPACING	
F14WM	1'-4"	1'-0"	2	5	0	0"	
F20W	2'-0"	1'-0"	3	5	4	2'-0"	
F30W	3'-0"	1'-0"	4	5	4	2'-0"	

COLUMN FOOTING SCHEDULE

MARK	DIMENSIONS			REINFORCING				REMARKS
	WIDTH	LENGTH	DEPTH	LONG BARS QUANTITY	SIZE	SHORT BARS QUANTITY	SIZE	
F36	3'-6"	3'-6"	1'-0"	4	5	4	5	
F40	4'-0"	4'-0"	1'-0"	4	5	4	5	
F60	6'-0"	6'-0"	1'-2"	7	5	7	5	
F70	7'-0"	7'-0"	1'-6"	9	5	9	5	
F80	8'-0"	8'-0"	1'-6"	7	7	7	7	TOP & BOT.
F90	9'-0"	9'-0"	2'-0"	9	7	9	7	TOP & BOT.
F5088	5'-0"	8'-8"	1'-4"	6	5	10	5	
F60140	6'-0"	14'-0"	1'-8"	14	6	10	6	TOP & BOT.

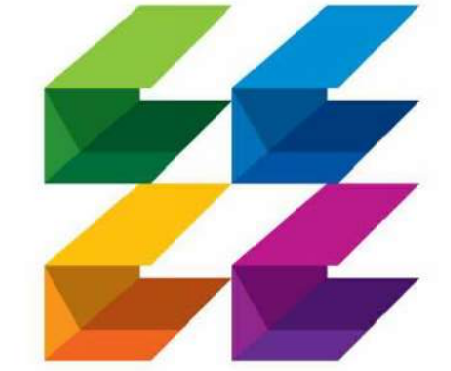
1 FOUNDATION PLAN
 1/8" = 1'-0"

03/07/2025

THIS DOCUMENT IS THE PROPERTY OF CURRIE SOWARDS AGUILA ARCHITECTS INC. ALL RIGHTS ARE RESERVED. ANY POSSESSION, REPRODUCTION OR OTHER USE OF THIS DOCUMENT, WITHOUT THE WRITTEN CONSENT OF CURRIE SOWARDS AGUILA ARCHITECTS INC., IS PROHIBITED. 3/7/2025 3:10:57 PM

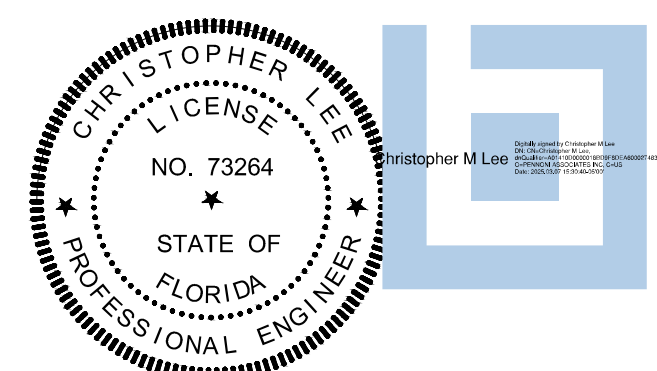
THIS DRAWING IS NOT FOR CONSTRUCTION. IT HAS BEEN ISSUED FOR GOVERNMENTAL REVIEW AND/OR PRELIMINARY PRICING ONLY.

Pennoni
 5755 Rio Vista Drive
 Clearwater, FL 33760-3137
 (727) 536-8772
 Florida Co# 7819
 Christopher Lee, P.E., S.E.
 Florida P.E. 73264
 Pennoni Project No. CSA4023002



CURRIE SOWARDS AGUILA architects
 Architecture, Planning, Interiors, & Sustainable Design
 AA26001584
 185 NE 4TH AVENUE SUITE 101
 DELRAY BEACH, FL 33483
 T: (561) 276-4951 F: (561) 243-8184
 E-MAIL: office@csa-architects.com

ISSUED FOR:
 FLEX SUB
 DRC
 SPA
 BIDS
 PERMIT
 CONSTRUCTION
 SEAL



This item has been electronically signed and sealed by Christopher Lee using a Digital Signature and date. Printed copies of this document are not considered signed and sealed and the signature must be verified on any electronic copies.

PROJECT TITLE
PBCFR FS 24
 1734 SEMINOLE BLVD.,
 WEST PALM BEACH, FL.
 33409

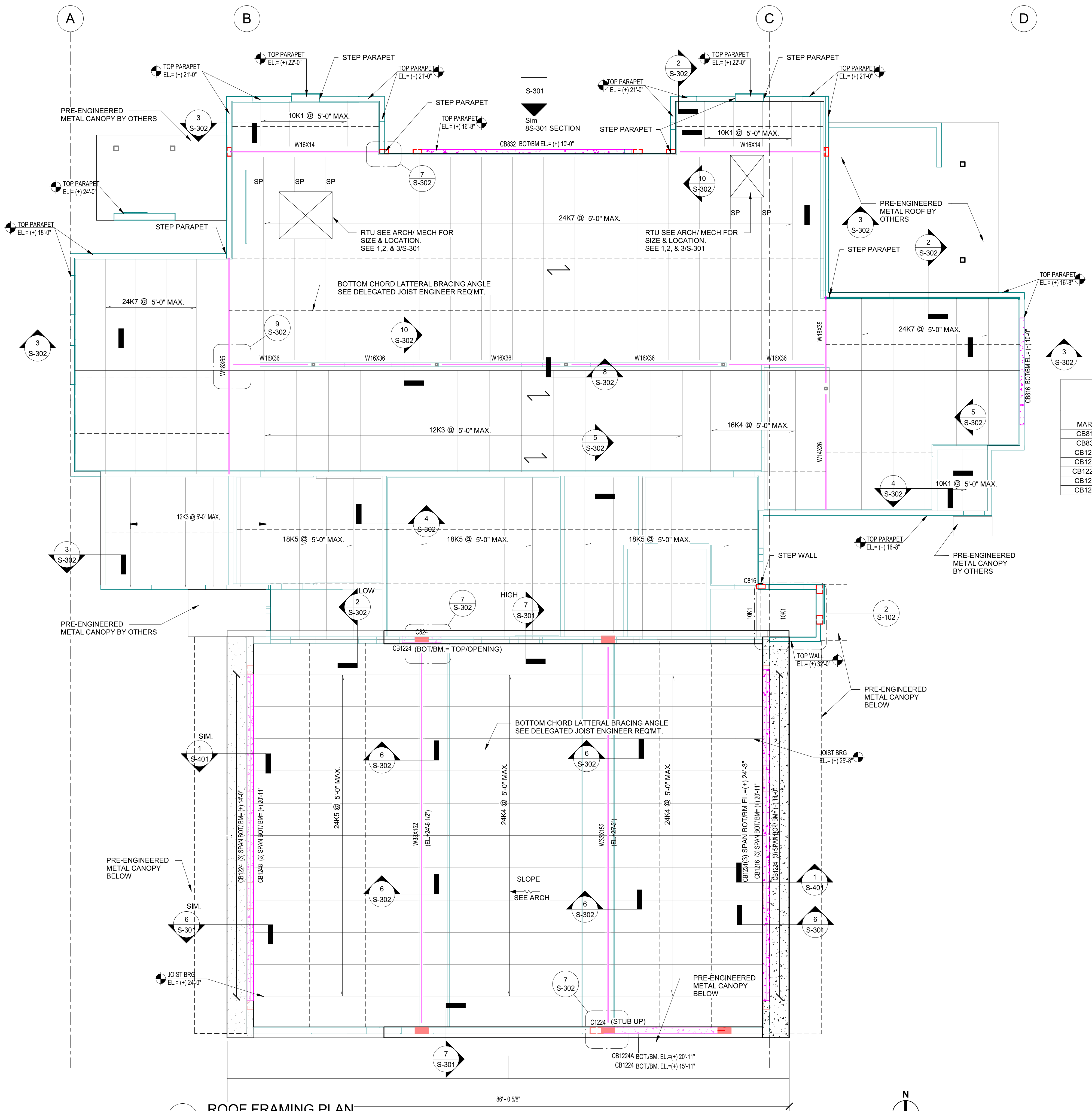
NUM.	DESCRIPTION	DATE

ISSUE FOR PERMIT

THESE DRAWINGS ARE PREPARED PER ESTABLISHED INDUSTRY STANDARDS AND REPRESENT THE ARCHITECT AND ENGINEERS DESIGN CONCEPT. THEY ARE NOT INTENDED TO PROVIDE EVERY DETAIL OR CONDITION REQUIRED TO CONSTRUCT THE BUILDING. THE CONTRACTOR THROUGH SUBMITTALS AND OTHER COORDINATION EFFORTS IS FULLY RESPONSIBLE FOR PROVIDING A COMPLETE AND OPERATIONAL BUILDING WHETHER INDICATED ON THE PLANS OR NOT.

DRAWING TITLE
ROOF FRAMING PLAN
 DATE
 DRAWN BY
 CP
 JOB NUMBER
 230103
 DRAWING NUMBER

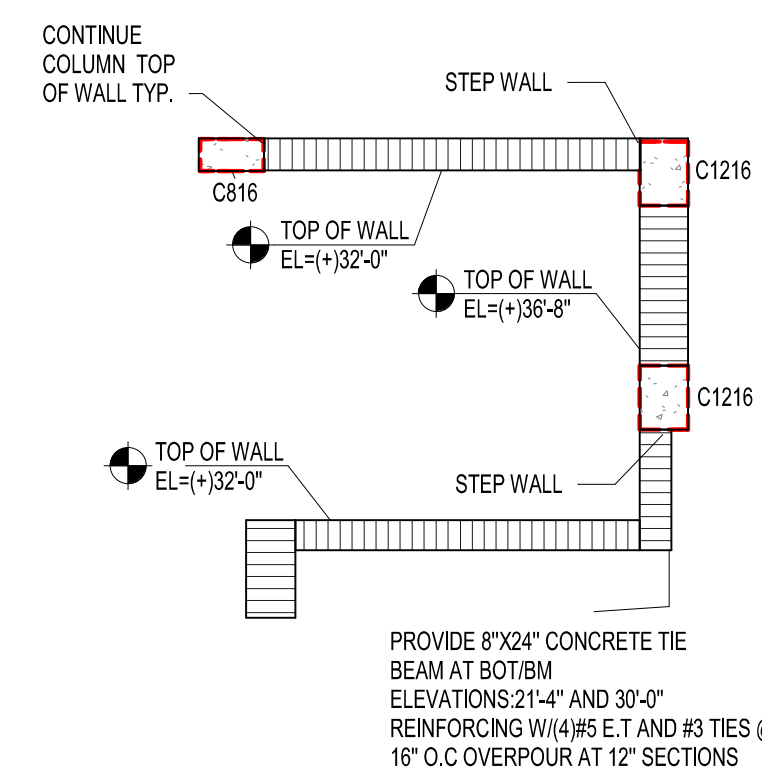
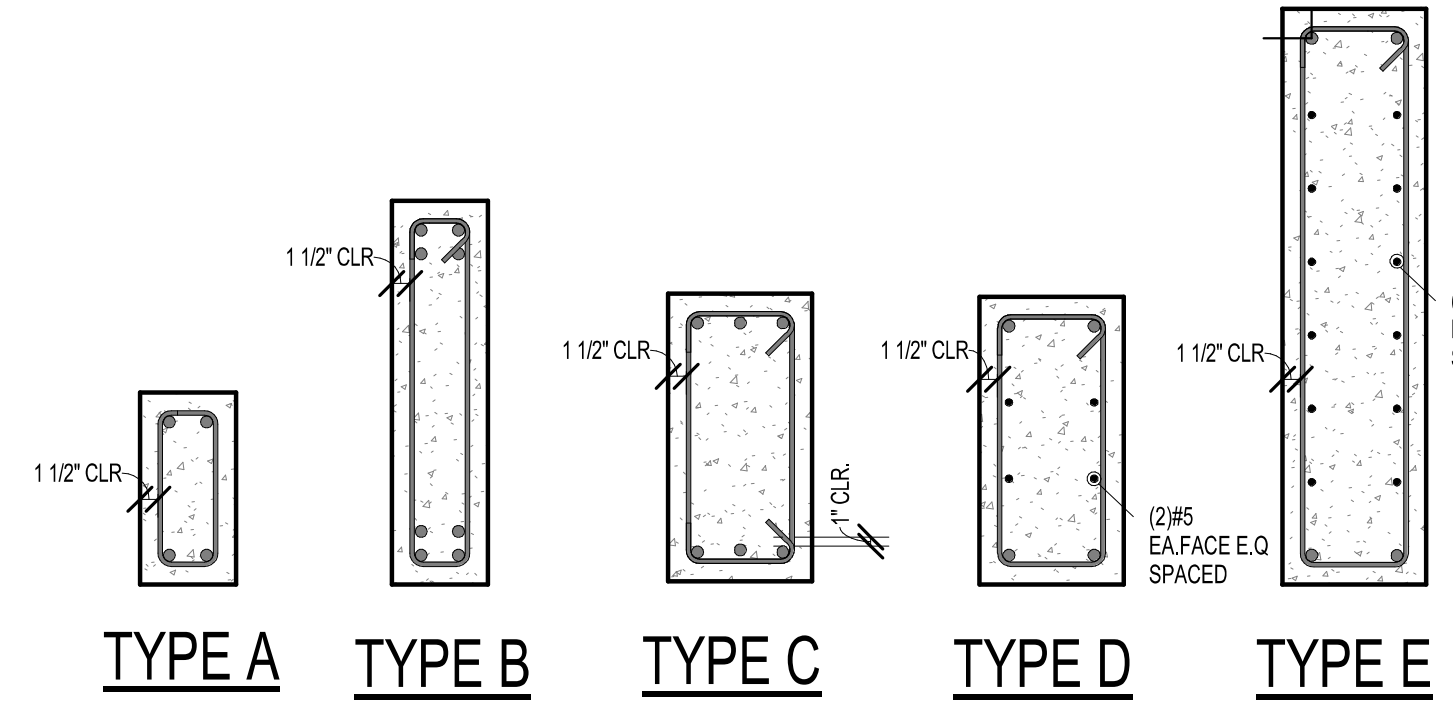
S-102



- ROOF FRAMING PLAN NOTES**
- METAL ROOF DECK TO BE 1.5" DP, 18GA VENTED DECK (EXCEPT AS NOTED PER PLAN) FASTEN DECK W/ 3/8" DIA. PUDDLE WELD PATTERN AT EACH SUPPORT AND (5)#12 TEK SCREW SIDEL/TEENERS FOR 36" ROOF DECKING. SEE 1/S302.
 - INDICATES DIRECTION OF ROOF DECK SPAN.
 - ROOF BEAMS ARE EQUALLY SPACED BETWEEN SUPPORTS. U.N.O.
 - REFER TO ARCH. FOR DIMENSIONS & ELEVATIONS NOT GIVEN.
 - REFER TO SHEET S-001 & S-002 FOR SPECIFICATIONS. S-003 FOR WIND LOADS & SCHEDULES.
 - (+) INDICATES TOP OF STEEL BEAM U.N.O. JOIST BRG=13'-9 1/2" U.N.O.
 - REFER TO S-301 AND S-302 FOR ROOF FRAMING DETAILS.
 - REFER TO MECHANICAL/ARCHITECTURAL FOR EXACT LOCATION AND SIZE OF MECHANICAL UNITS AND REQUIRED OPENINGS.
 - ★ INDICATES BOTTOM FLANGE BRACING AT 1/3 POINTS PER 6/S-302
 - SP = JOIST ENGINEER TO DESIGN A SPECIAL JOIST OR DOUBLE JOIST AR ROOF TOP UNIT LOCATIONS SEE MECHANICAL DRAWINGS FOR RTU WEIGHTS, RTUS TO BEAR ON A MINIMUM OF (2) JOISTS AS SHOWN. ONE RTU MAX. PER JOIST SPAN. REFER TO MECHANICAL/ARCHITECTURAL DRAWINGS FOR EXACT LOCATION, SIZE AND WEIGHT. JOISTS SHOWN DO NOT INCLUDE ALLOWANCE FOR UNIT WEIGHT OR SUPPORTING CURBS.

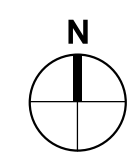
CONCRETE BEAM SCHEDULE

MARK	DIMENSIONS		TOP BARS		REINFORCING		STIRRUPS		REMARKS
	WIDTH	DEPTH	QUANTITY	SIZE	QUANTITY	SIZE	SIZE	SPACING	
CB816	8"	16"	2	6	2	6	3	6"	TYPE A
CB832	8"	32"	4	7	4	7	3	1'-0"	TYPE B
CB1216	12"	16"	2	6	2	6	3	6"	TYPE A
CB1224	12"	24"	2	6	2	6	3	10"	TYPE A
CB1224A	12"	24"	6	6	6	6	3	4"	TYPE C
CB1231	12"	31"	2	6	2	6	3	1'-0"	TYPE D
CB1248	12"	48"	2	6	2	6	3	1'-0"	TYPE E



2 TOWER PLAN
 1/4" = 1'-0"

1 ROOF FRAMING PLAN
 1/8" = 1'-0"

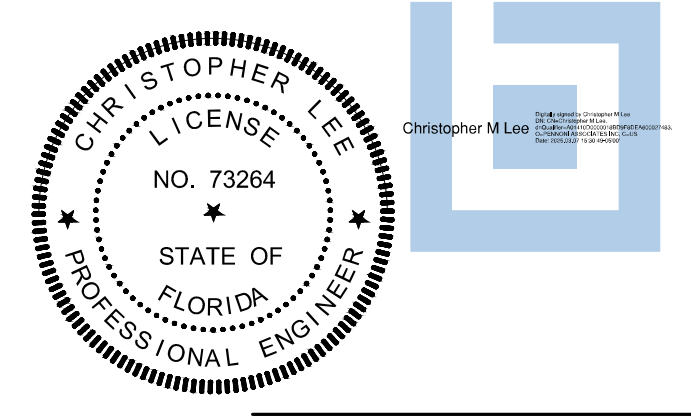


THIS DRAWING IS NOT FOR CONSTRUCTION. IT HAS BEEN ISSUED FOR GOVERNMENTAL REVIEW AND/OR PRELIMINARY PRICING ONLY.



CURRIE SOWARDS AGUILA architects
 Architecture, Planning, Interiors, & Sustainable Design
 AA26001584
 185 NE 4TH AVENUE SUITE 101 DELRAY BEACH, FL 33483
 T: (561) 276-4951 F: (561) 243-8184 E-MAIL: office@csa-architects.com

ISSUED FOR:
 FLEX SUB
 DRC
 SPA
 BIDS
 PERMIT
 CONSTRUCTION
 SEAL



This item has been electronically signed and sealed by Christopher Lee using a Digital Signature and data. Printed copies of this document are not considered signed and sealed and the signature must be verified on any electronic copies.

PROJECT TITLE
PBCFR FS 24
 1734 SEMINOLE BLVD., WEST PALM BEACH, FL. 33409
 REVISIONS

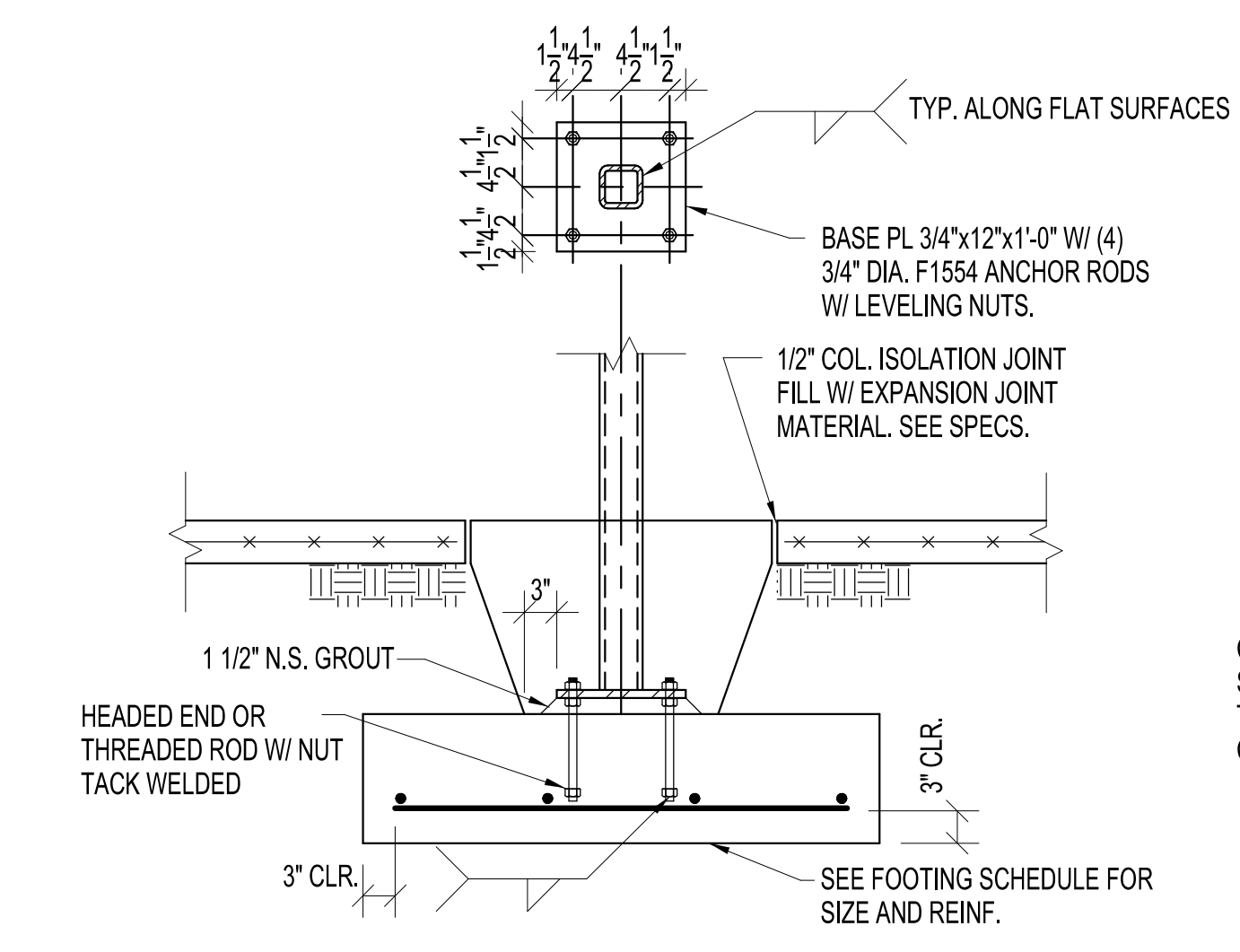
NUM.	DESCRIPTION	DATE

ISSUE FOR PERMIT

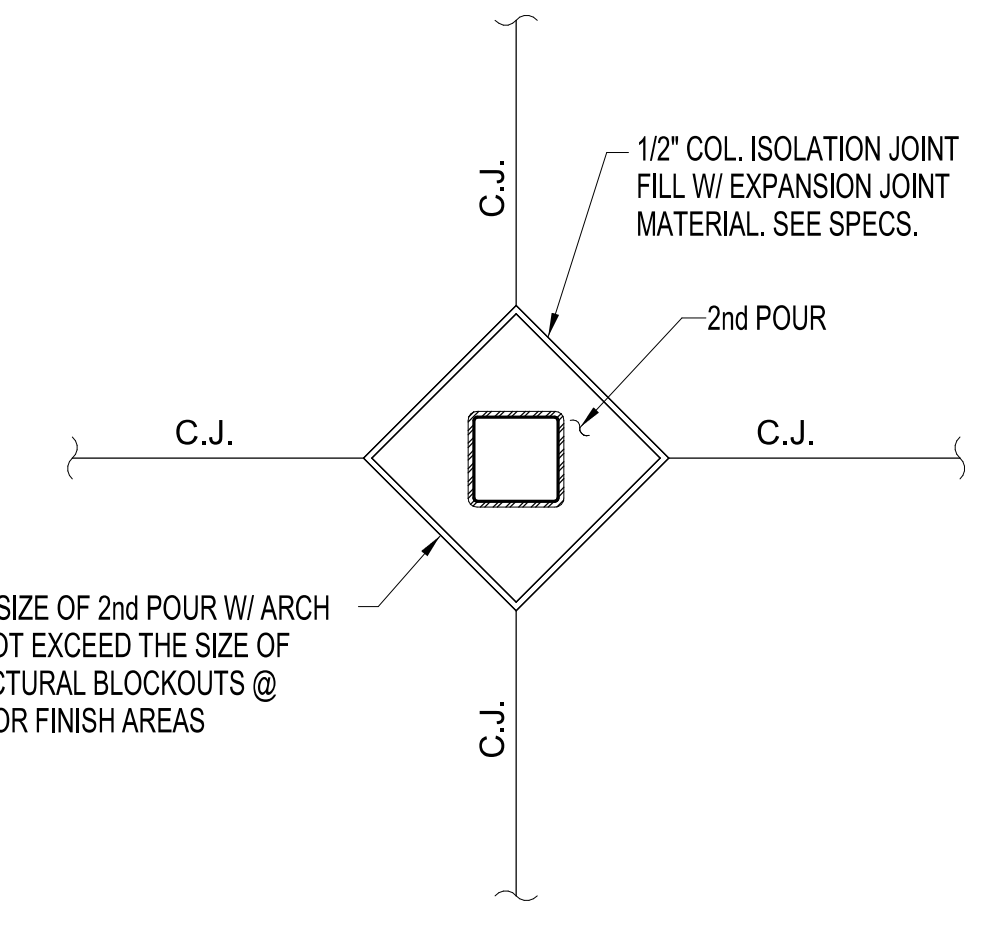
THESE DRAWINGS ARE PREPARED PER ESTABLISHED INDUSTRY STANDARDS AND REPRESENT THE ARCHITECT AND ENGINEERS DESIGN CONCEPT. THEY ARE NOT INTENDED TO PROVIDE EVERY DETAIL OR CONDITION REQUIRED TO CONSTRUCT THE BUILDING. THE CONTRACTOR THROUGH SUBMITTALS AND OTHER COORDINATION EFFORTS IS FULLY RESPONSIBLE FOR PROVIDING A COMPLETE AND OPERATIONAL BUILDING WHETHER INDICATED ON THE PLANS OR NOT.

DRAWING TITLE
FOUNDATION DETAILS
 DATE
 DRAWN BY
 CP
 JOB NUMBER
 230103
 DRAWING NUMBER

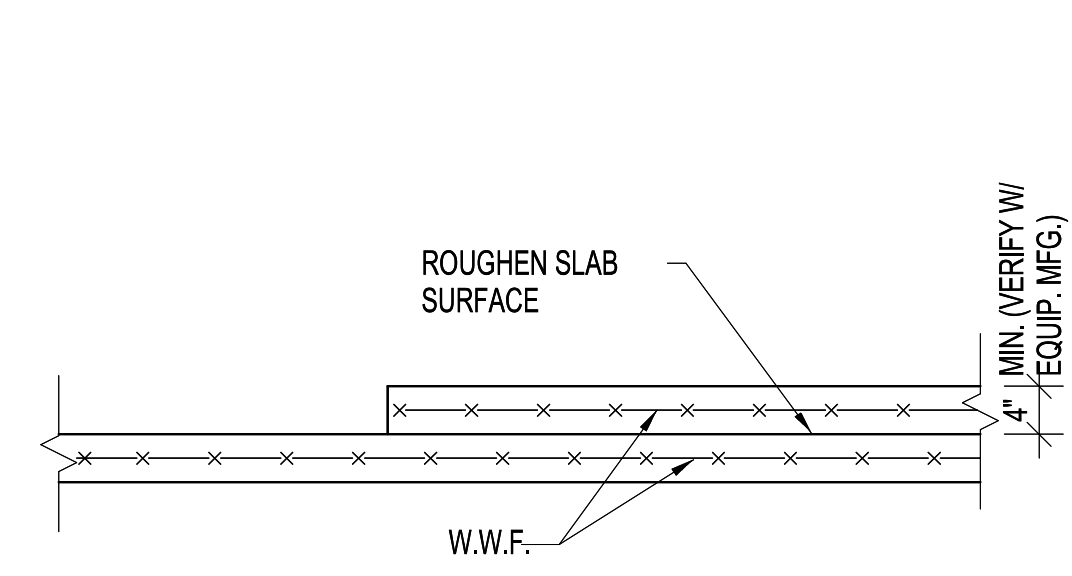
S-201



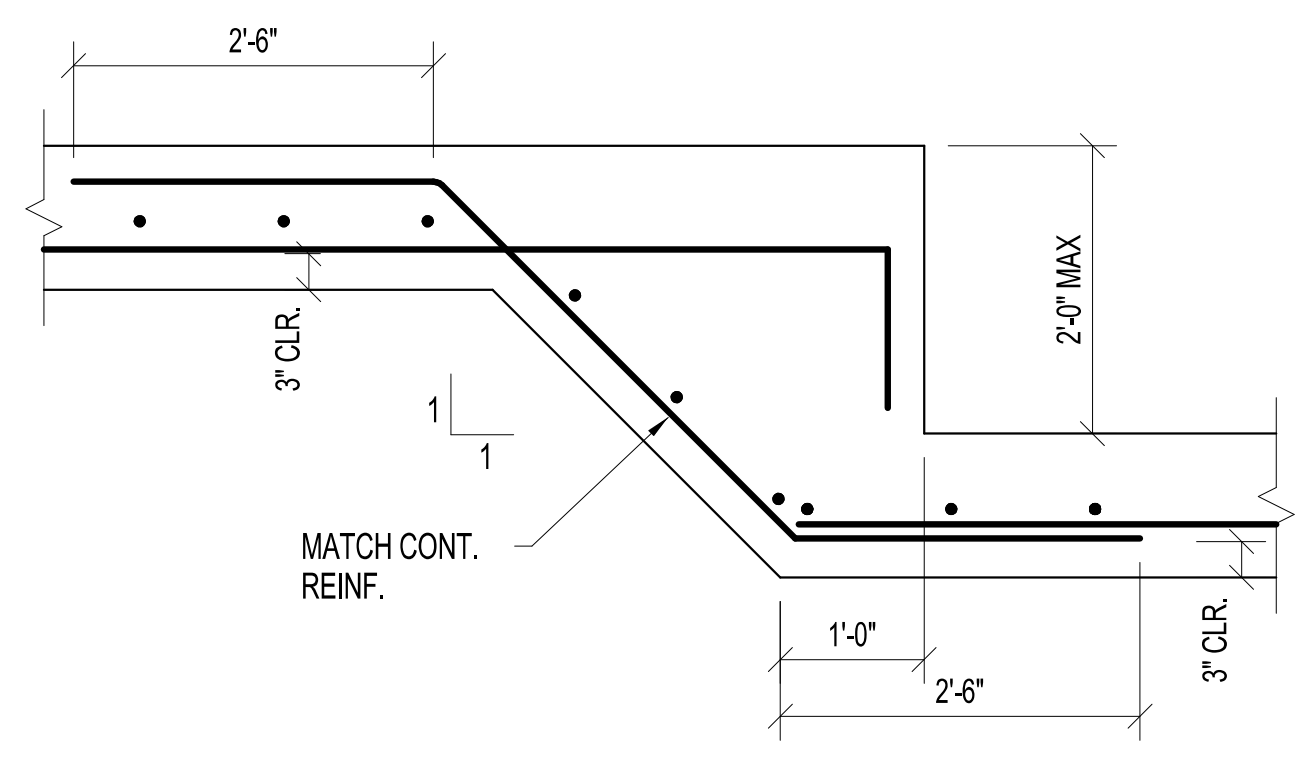
1 COLUMN FOOTING
 3/4" = 1'-0"



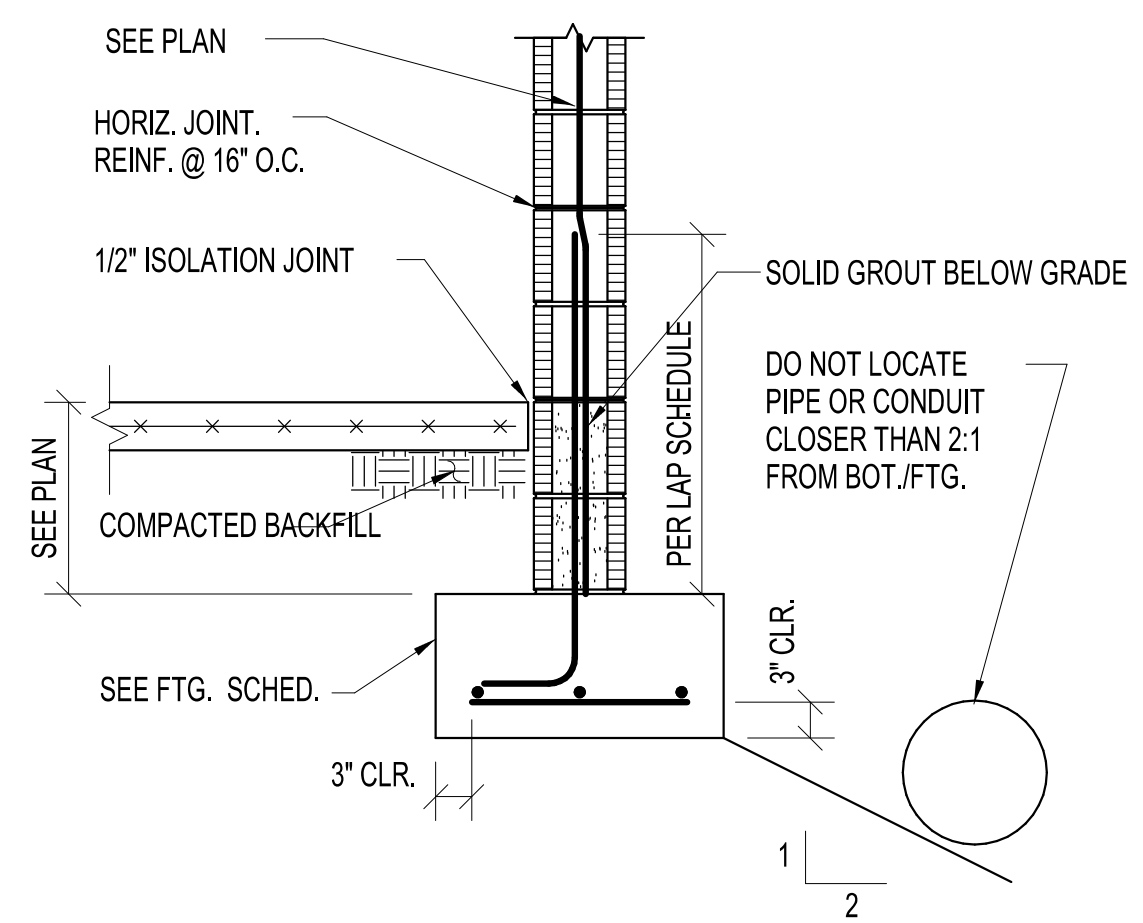
2 COLUMN ISOLATION JOINT
 3/4" = 1'-0"



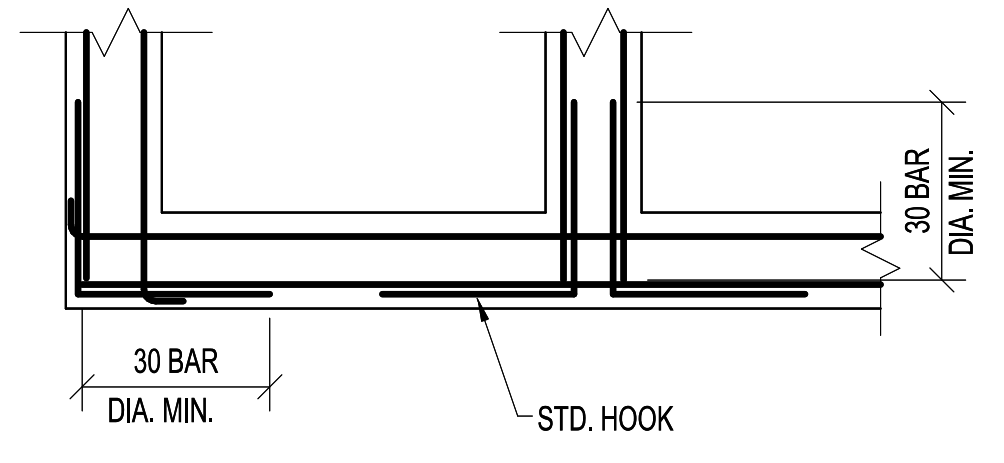
3 TYP. HOUSEKEEPING PAD
 3/4" = 1'-0"



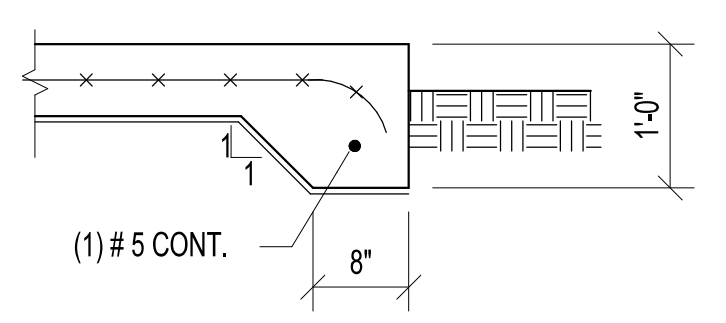
4 STEPPED FOOTING
 3/4" = 1'-0"



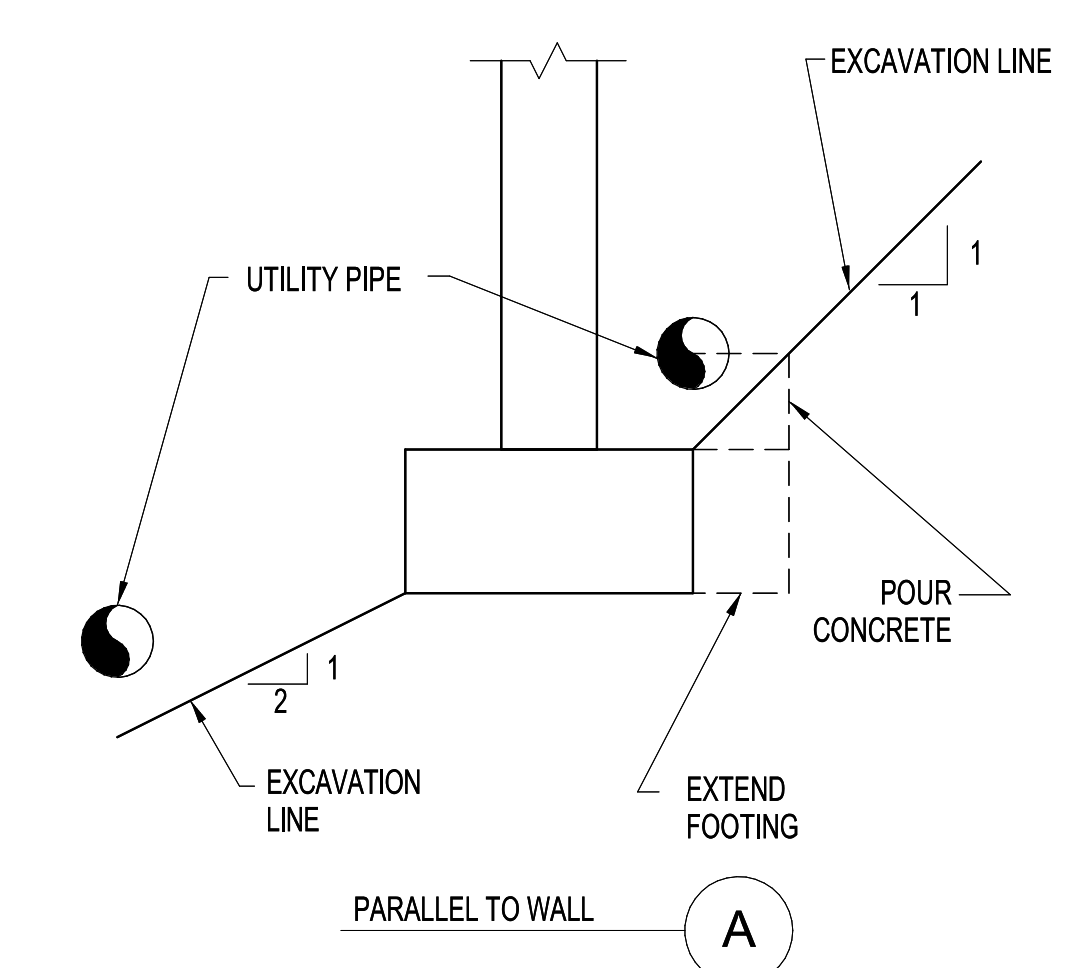
5 WALL FOOTING
 3/4" = 1'-0"



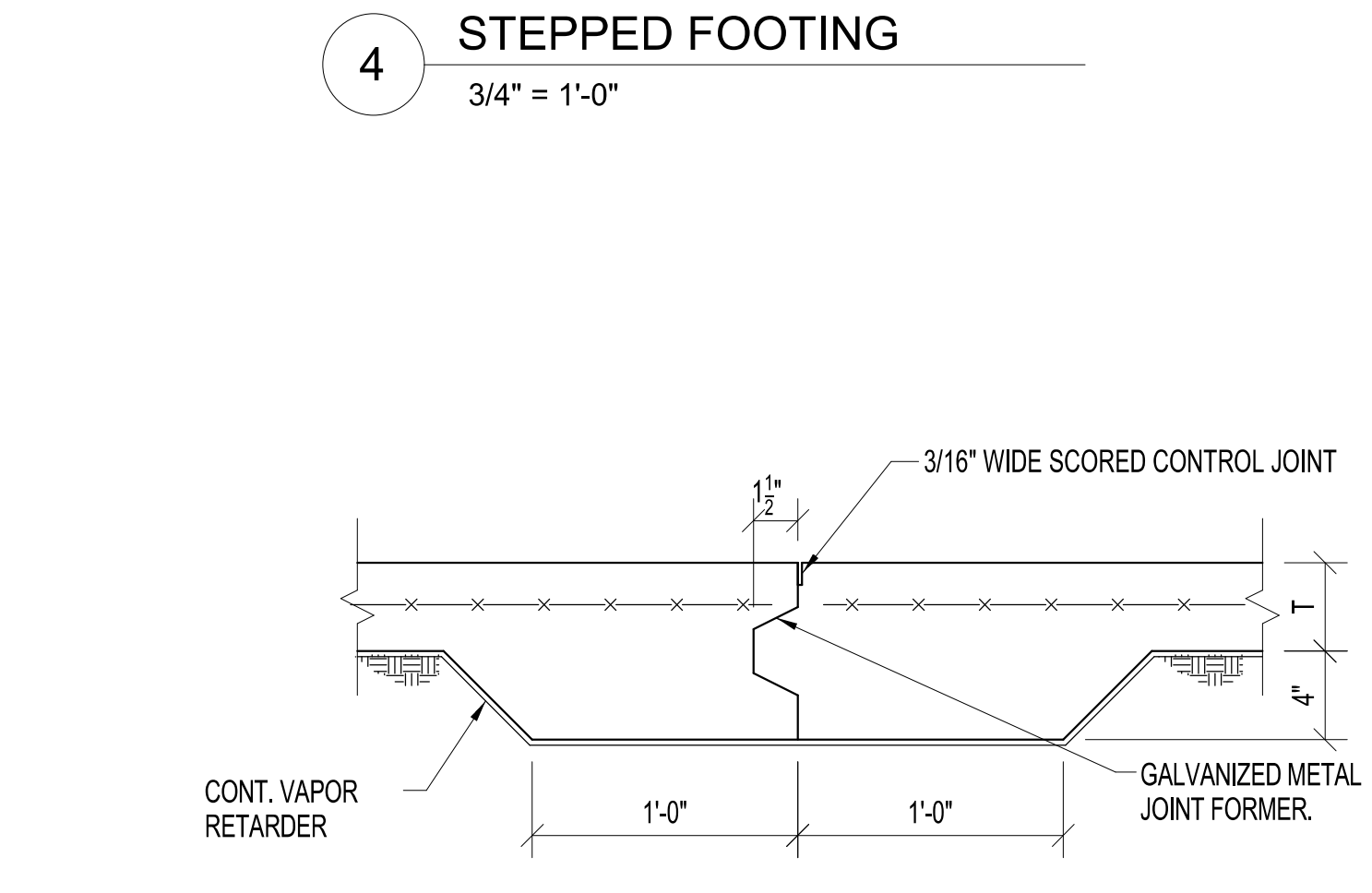
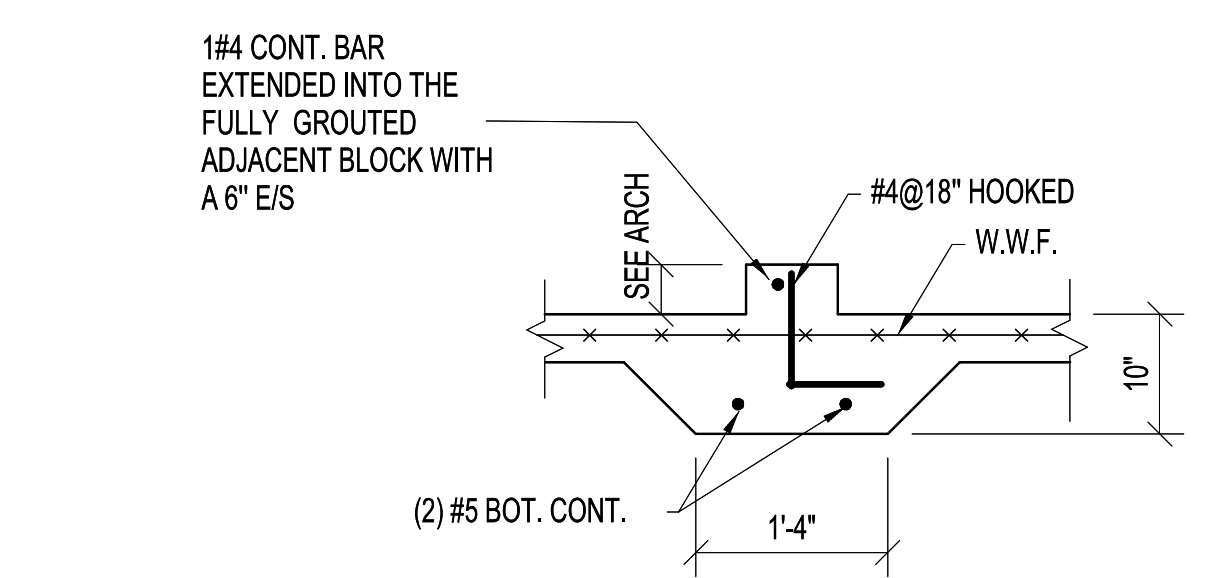
6 TYPICAL WALL AND FTG. REINF. INTERSECTIONS
 3/4" = 1'-0"



7 THICKENED SLAB EDGE
 3/4" = 1'-0"

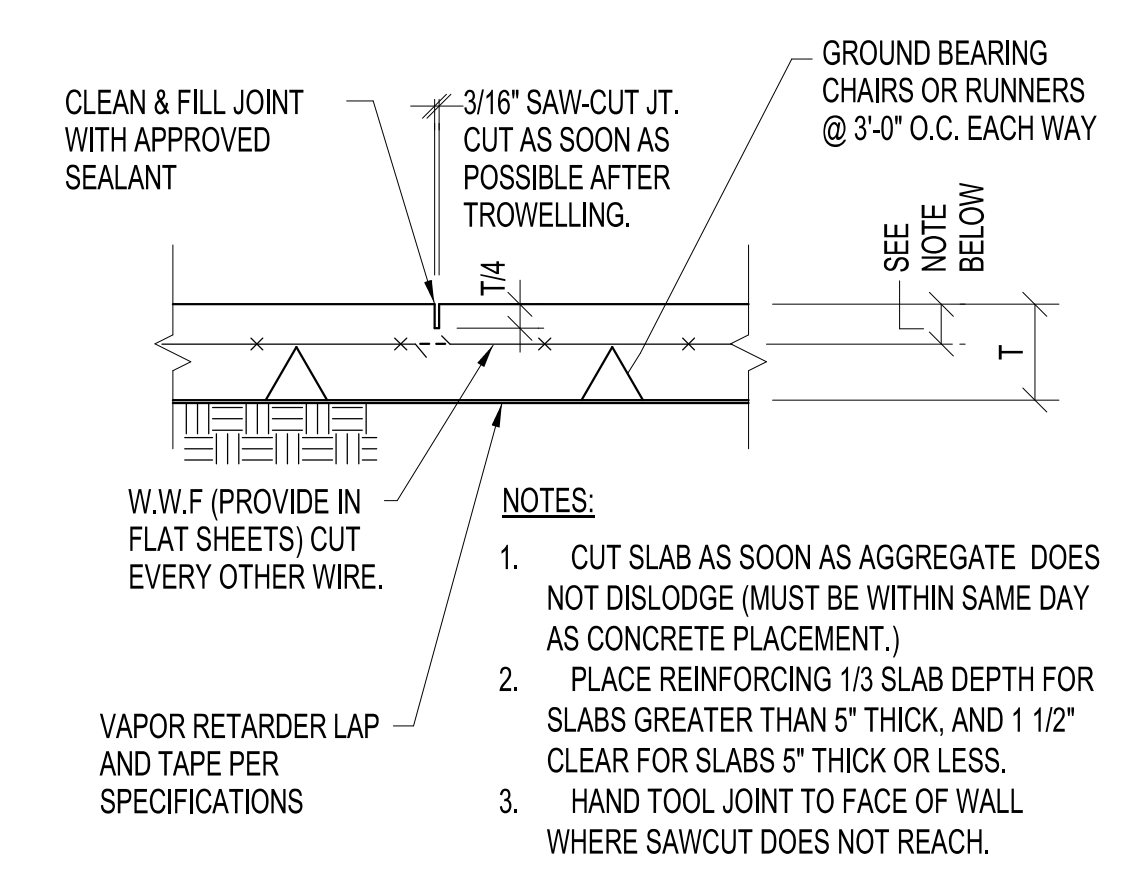


8 FOOTING FOR PIPES PASSING
 3/4" = 1'-0"



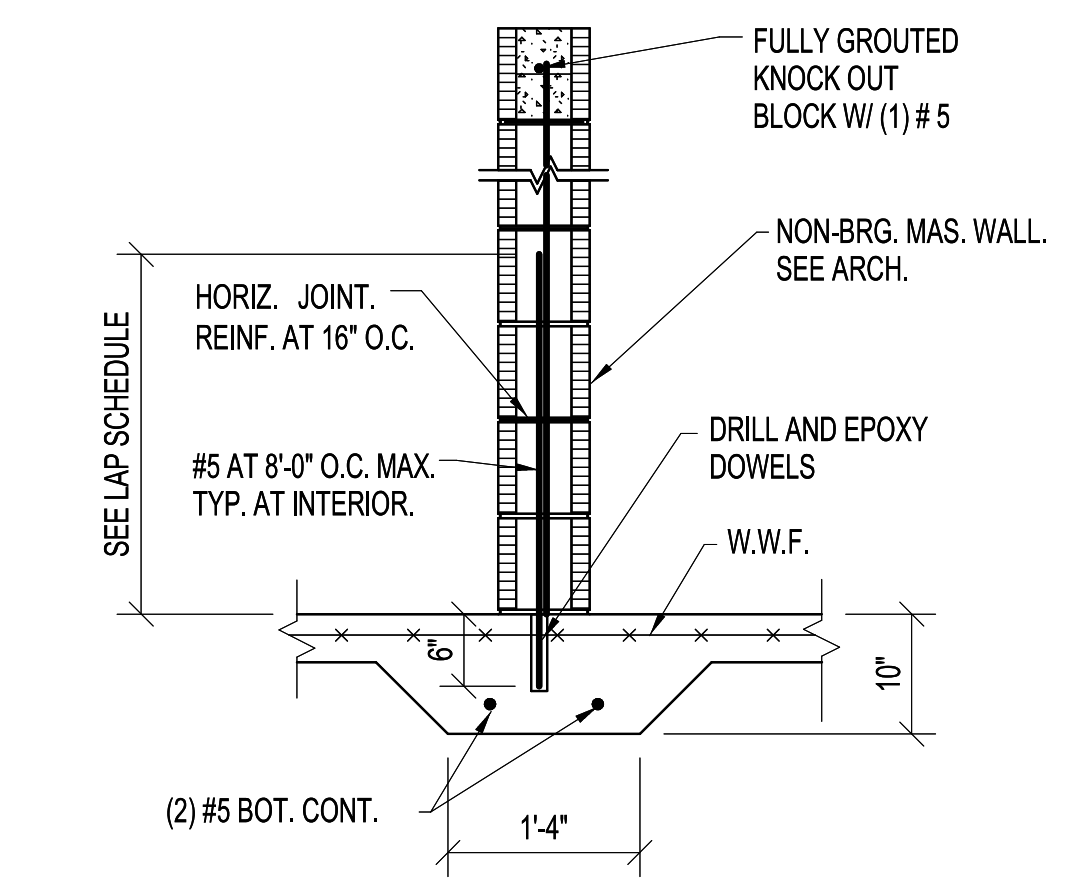
9 CONSTRUCTION JOINT
 3/4" = 1'-0"

NOTE:
 1. TO BE USED AT CONTRACTOR'S OPTION AT ANY CONTROL JOINT LOCATION.
 2. POUR SLABS IN ALTERNATING LONG STRIPS. DO NOT POUR IN A CHECKER BOARD PATTERN.



10 CONTRACTION JOINT
 3/4" = 1'-0"

NOTES:
 1. CUT SLAB AS SOON AS AGGREGATE DOES NOT DISLodge (MUST BE WITHIN SAME DAY AS CONCRETE PLACEMENT.)
 2. PLACE REINFORCING 1/3 SLAB DEPTH FOR SLABS GREATER THAN 5\"/>



11 NON-BEARING MAS.
 3/4" = 1'-0"

12 TYPICAL INTERIOR CURB DETAIL
 3/4" = 1'-0"

THIS DOCUMENT IS THE PROPERTY OF CURRIE SOWARDS AGUILA ARCHITECTS INC. ALL RIGHTS ARE RESERVED. ANY POSSESSION, REPRODUCTION OR OTHER USE OF THIS DOCUMENT, WITHOUT THE WRITTEN CONSENT OF CURRIE SOWARDS AGUILA ARCHITECTS INC., IS PROHIBITED. 3/7/2025 3:10:58 PM

THIS DOCUMENT IS THE PROPERTY OF CURRIE SOWARDS AGUILA ARCHITECTS INC. ALL RIGHTS ARE RESERVED. ANY POSSESSION, REPRODUCTION OR OTHER USE OF THIS DOCUMENT, WITHOUT THE WRITTEN CONSENT OF CURRIE SOWARDS AGUILA ARCHITECTS INC., IS PROHIBITED. 3/7/2025 3:10:58 PM

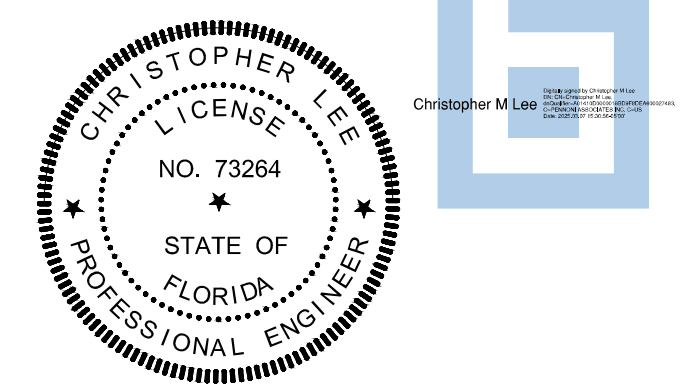
THIS DRAWING IS NOT FOR CONSTRUCTION. IT HAS BEEN ISSUED FOR GOVERNMENTAL REVIEW AND/OR PRELIMINARY PRICING ONLY.

Pennoni
 5755 Rio Vista Drive
 Clearwater, FL 33760-3137
 (727) 536-8772
 Florida Co# 7819
 Christopher Lee, P.E., S.E.
 Florida P.E. 73284
 Pennoni Project No. CSAAD23002



CURRIE SOWARDS AGUILA architects
 Architecture, Planning, Interiors, & Sustainable Design
 AA26001584
 185 NE 4TH AVENUE SUITE 101
 DELRAY BEACH, FL 33483
 T: (561) 276-4951 F: (561) 243-8184
 E-MAIL: office@csa-architects.com

ISSUED FOR:
 FLEX SUB
 DRC
 SPA
 BIDS
 PERMIT
 CONSTRUCTION
 SEAL



This item has been electronically signed and sealed by Christopher Lee using a Digital Signature and date. Printed copies of this document are not considered signed and sealed and the signature must be verified on any electronic copies.

PROJECT TITLE
PBCFR FS 24

1734 SEMINOLE BLVD.,
 WEST PALM BEACH, FL.
 33409

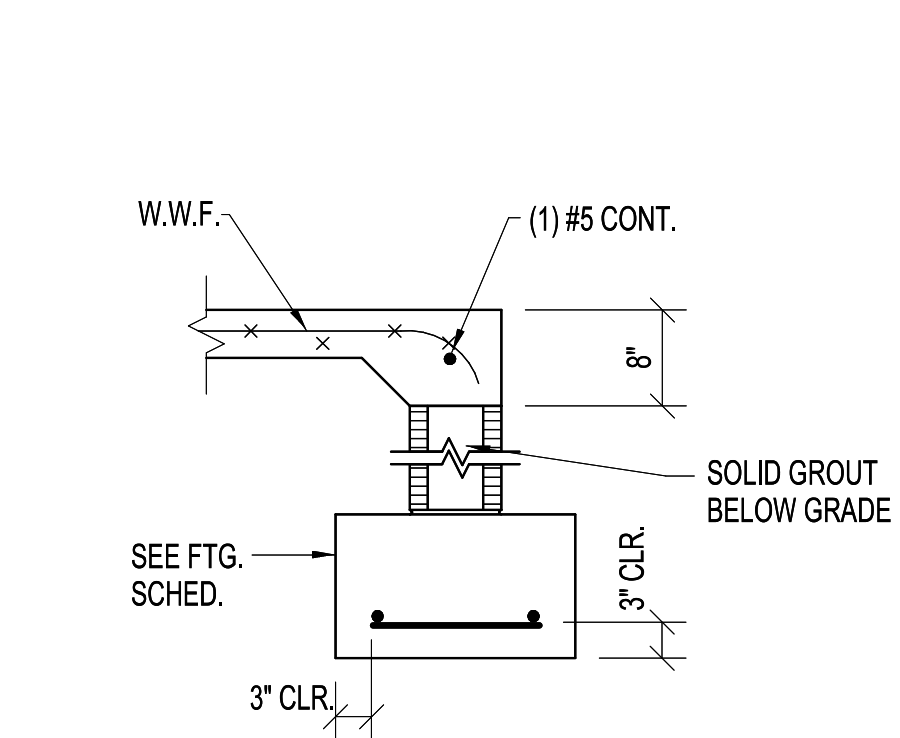
REVISIONS	NUM.	DESCRIPTION	DATE

03/07/2025 ISSUE FOR PERMIT

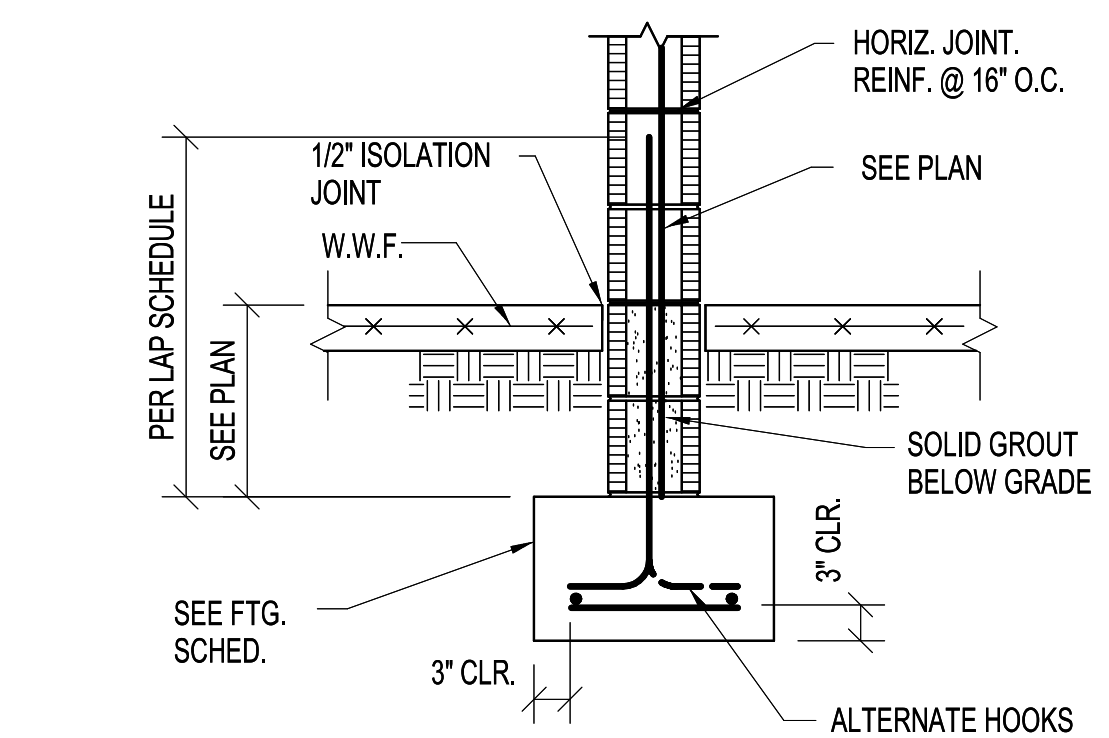
THESE DRAWINGS ARE PREPARED PER ESTABLISHED INDUSTRY STANDARDS AND REPRESENT THE ARCHITECT AND ENGINEERS DESIGN CONCEPT. THEY ARE NOT INTENDED TO PROVIDE EVERY DETAIL OR CONDITION REQUIRED TO CONSTRUCT THE BUILDING. THE CONTRACTOR THROUGH SUBMITTALS AND OTHER COORDINATION EFFORTS IS FULLY RESPONSIBLE FOR PROVIDING A COMPLETE AND OPERATIONAL BUILDING WHETHER INDICATED ON THE PLANS OR NOT.

DRAWING TITLE
MASONRY DETAILS
 DATE: _____ DRAWN BY: CP
 JOB NUMBER: 230103
 DRAWING NUMBER: _____

S-202

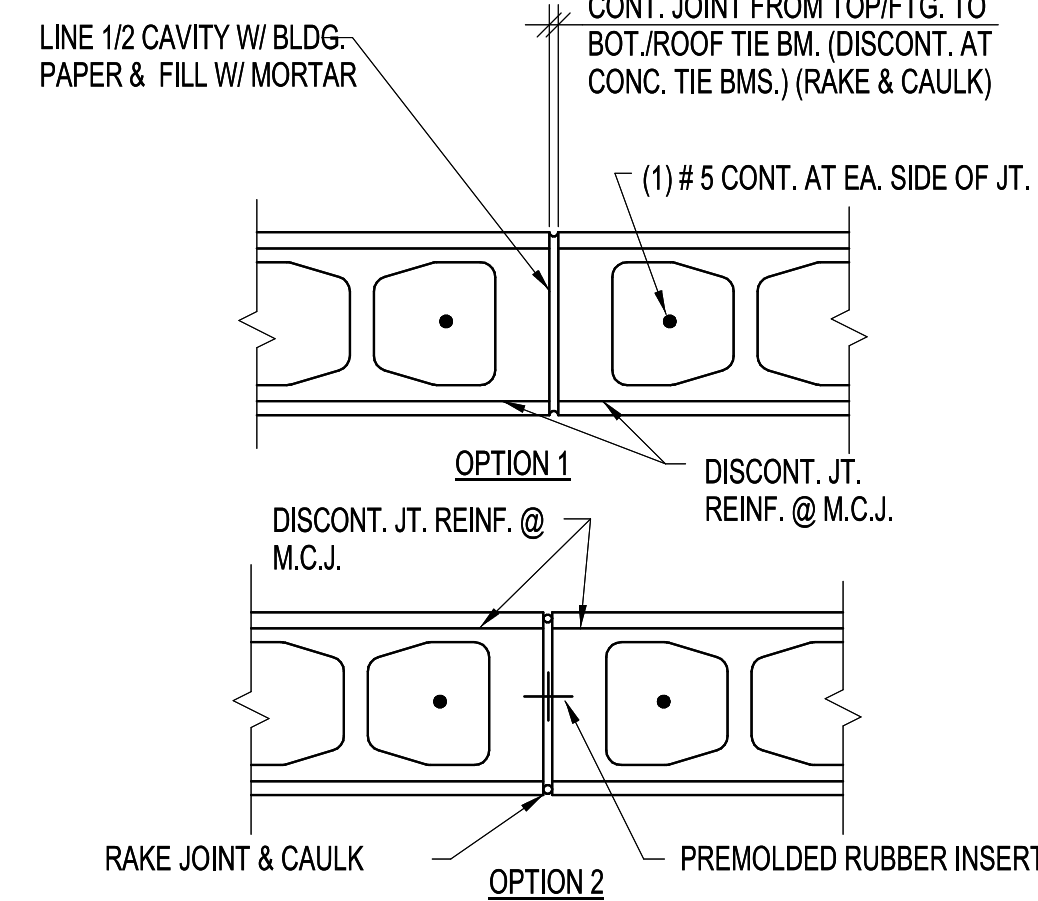


1 THICKENED SLAB EDGE
 3/4" = 1'-0"

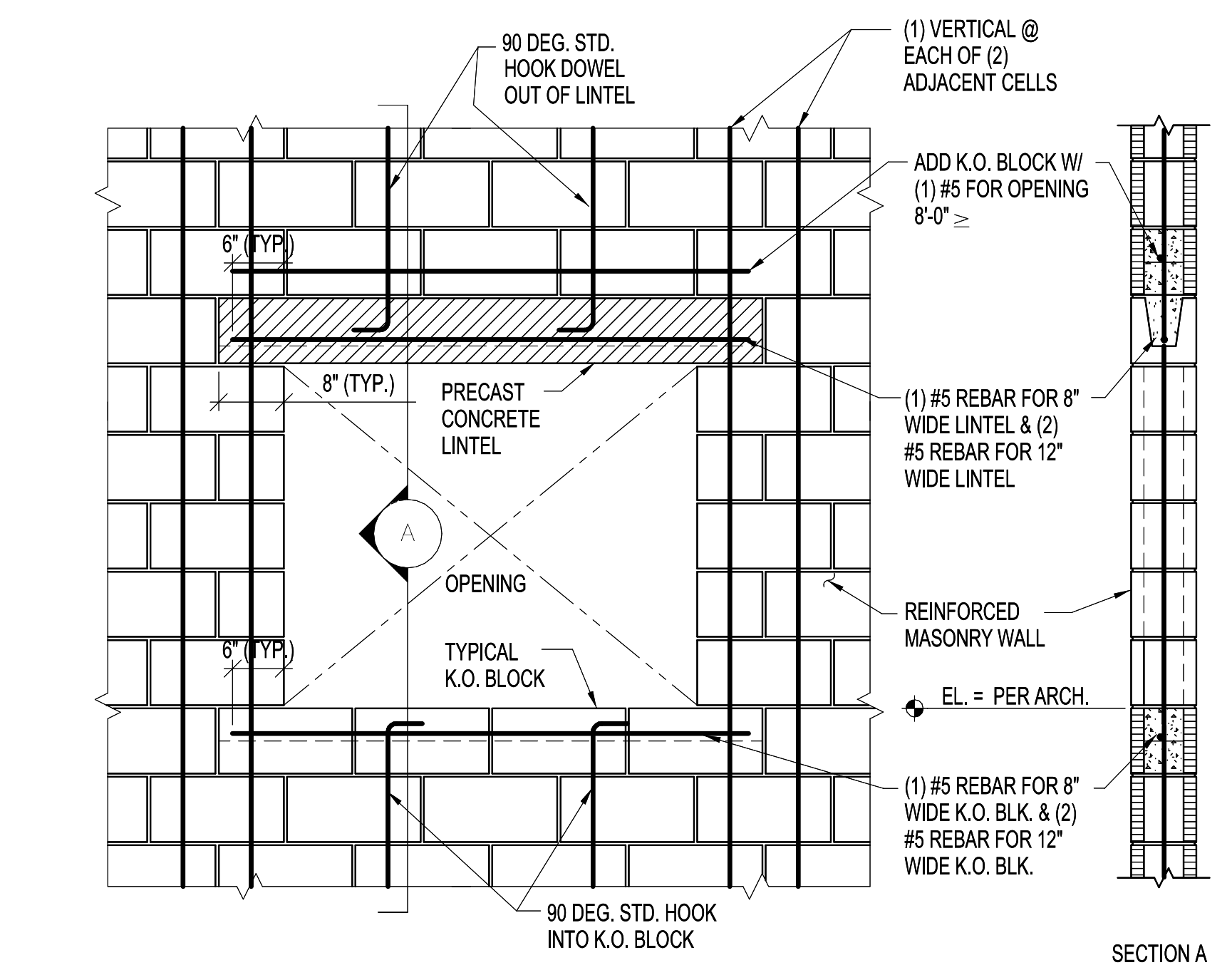


2 INTERIOR WALL FOOTING
 3/4" = 1'-0"

- NOTES**
1. EXTEND JOINT VERTICALLY FROM TOP OF FOOTING TO ROOF.
 2. DISCONTINUE AT INTERMEDIATE TIE BEAMS AND ROOF TIE BEAMS.
 3. SCORE ALL TIE BEAMS ON BOTH SIDES OF WALL TO MATCH JOINT.
 4. SPACE JOINTS AT 26'-0" O.C. MAXIMUM.
 5. COORDINATE LOCATIONS OF JOINTS WITH ARCH. JOINT LOCATIONS.

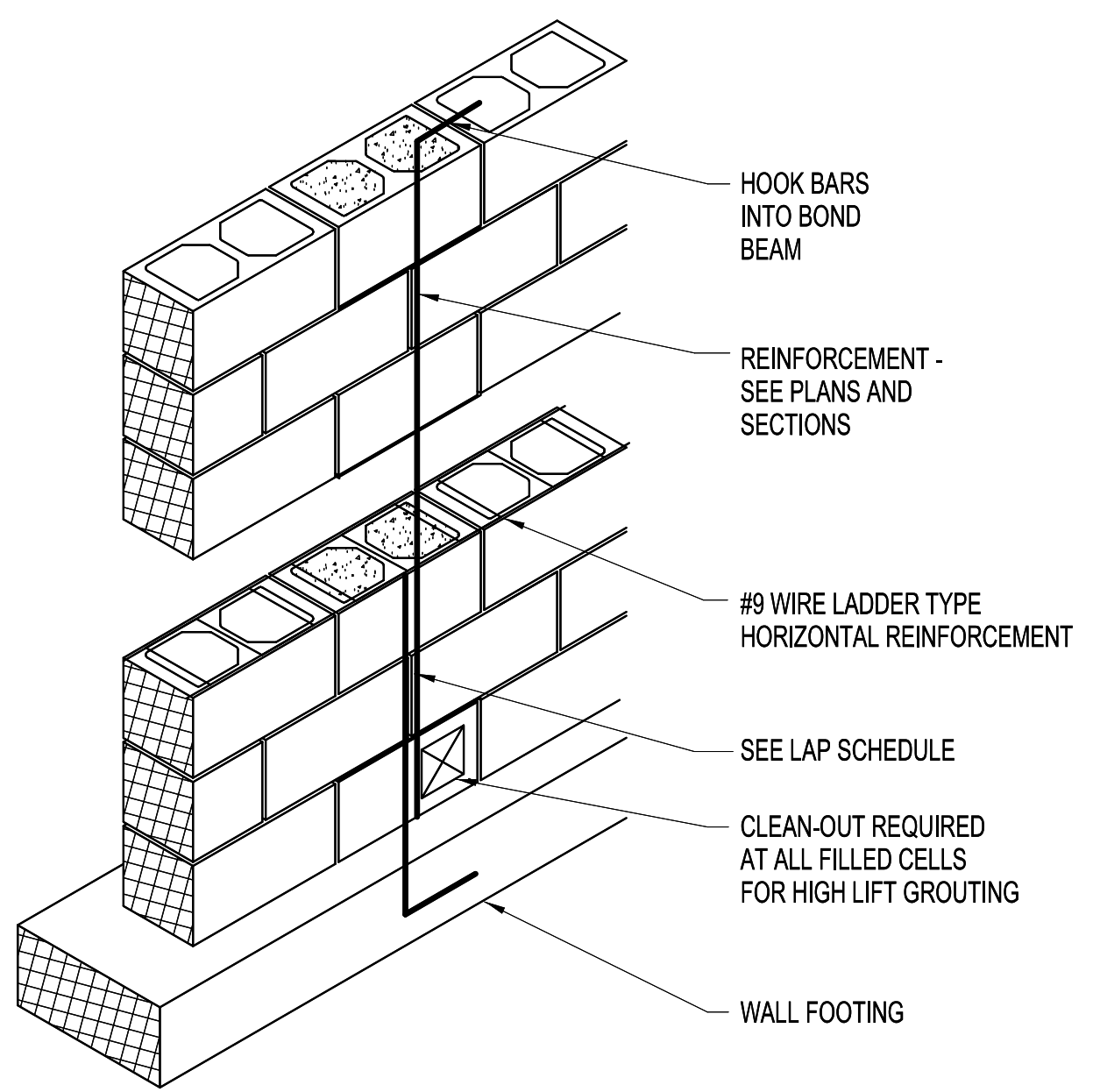


3 MASONRY CONTROL JOINT
 3/4" = 1'-0"

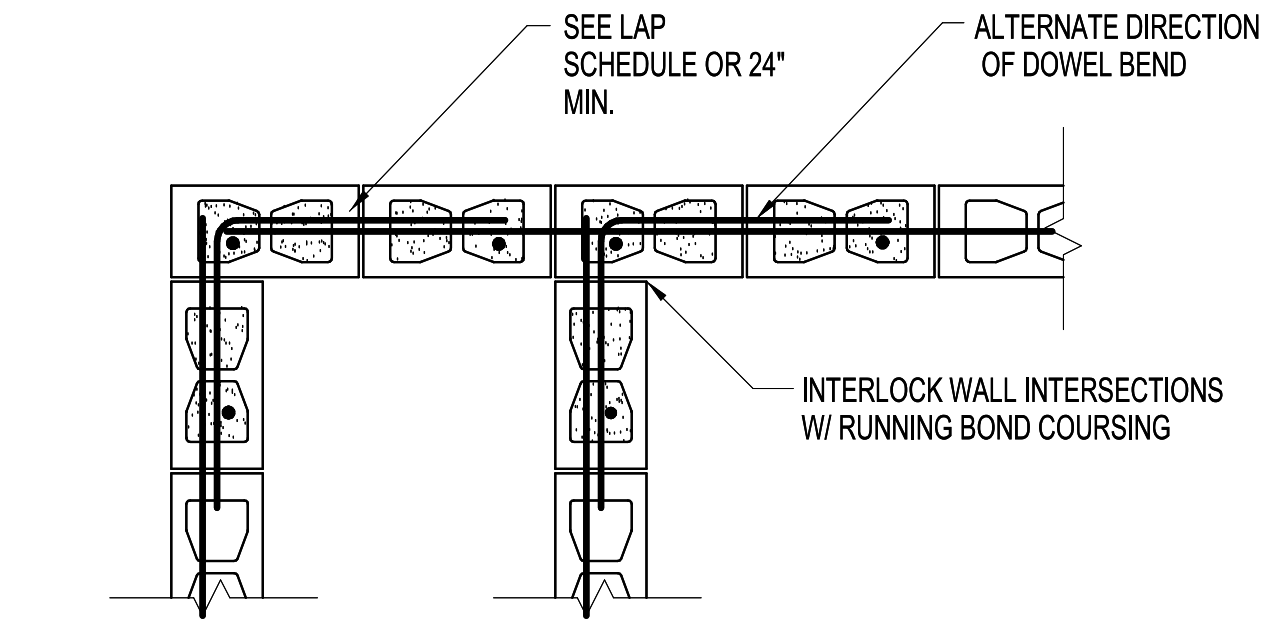


4 TYPICAL CONC LINTEL REINF DETAIL
 3/4" = 1'-0"

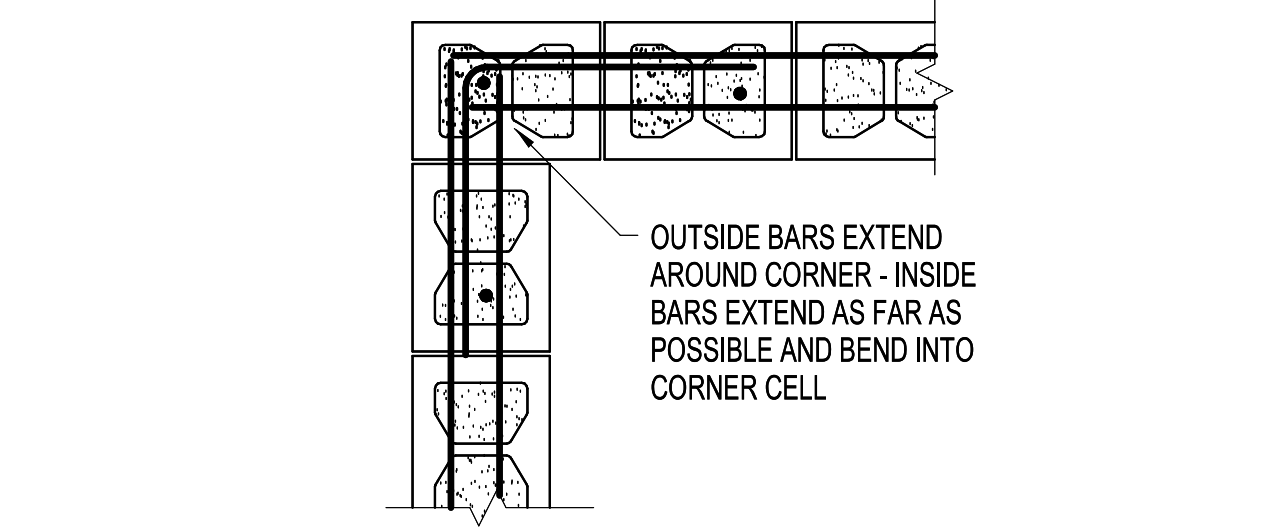
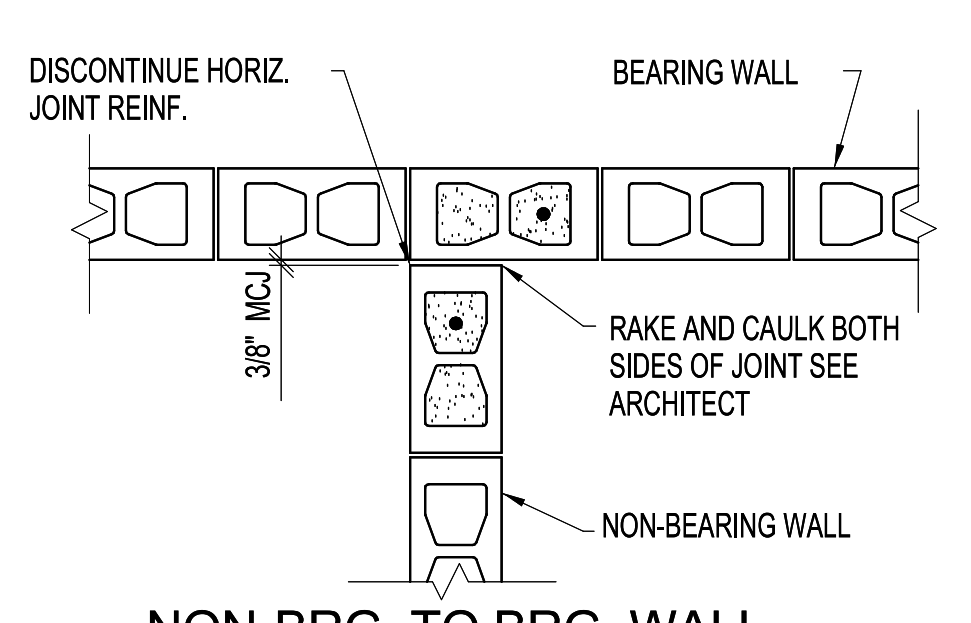
- LOW LIFT GROUTING PROCEDURE:**
1. CONSTRUCT WALL TO HEIGHT OF 4'-0" TO 5'-4" MAX. ALLOW MORTAR TO SET SUFFICIENTLY TO WITHSTAND GROUT PRESSURE.
 2. VERTICAL WALL REINF. BARS TO EXTEND BEYOND HEIGHT OF WALL FOR PROPER LAP.
 3. INSPECT UNITS FOR ALIGNMENT, CLEAN OUT CELLS TO BE FILLED.
 4. FILL CELLS TO 5 FOOT MAX. GROUT POUR.
 5. DELAY 3 TO 5 MINUTES PRIOR TO CONSOLIDATING TO ALLOW WATER TO BE ABSORBED BY MASONRY.
- HIGH LIFT GROUTING PROCEDURE:**
1. CONSTRUCT WALL TO FULL HEIGHT (24 FEET MAX.) WITH PROPER REINFORCING AND ALLOW MASONRY TO CURE AT LEAST 3 DAYS.
 2. CLEAN CELLS, WHICH ARE TO BE GROUTED THROUGH CLEAN-OUT PORTS.
 3. PLACE GROUT IN 4 FOOT, 5 FOOT MAX. LIFTS AND CONSOLIDATE AFTER EXCESS MOISTURE HAS BEEN ABSORBED BY MASONRY.
 4. PLACE THE NEXT LIFT AS SOON AS POSSIBLE BUT NO LONGER THAN ONE HOUR LATER.



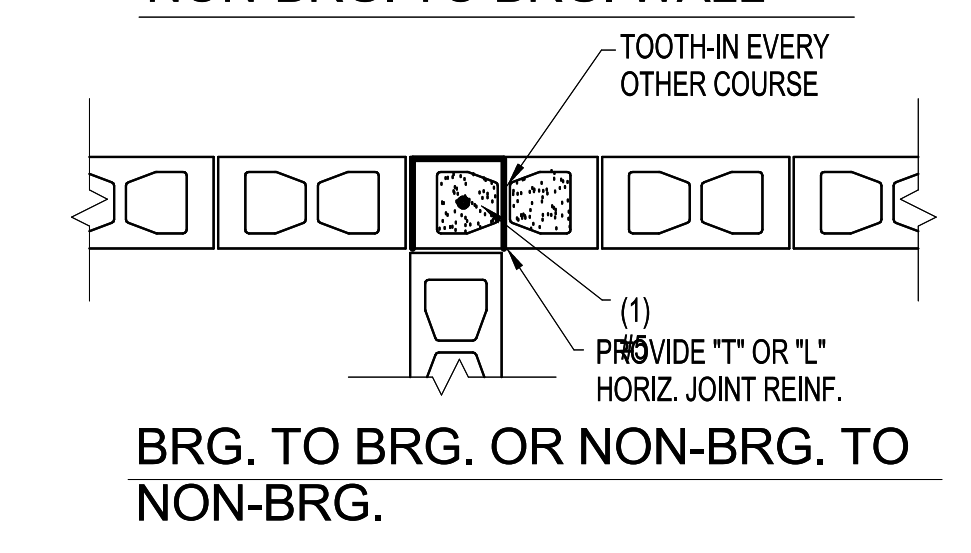
5 WALL REINFORCING
 3/4" = 1'-0"



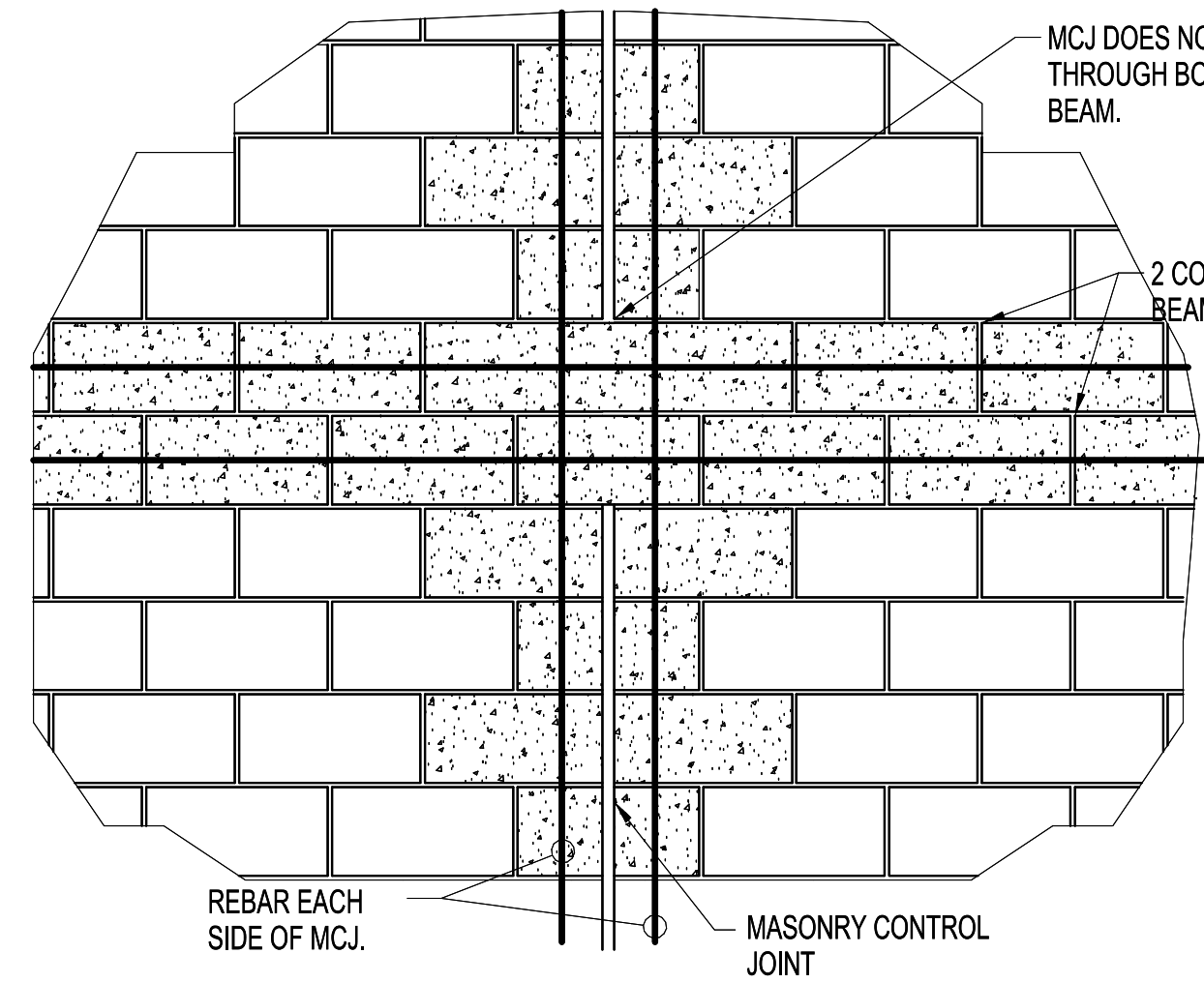
6 8IN MASONRY BOND BEAM CONNECTION
 3/4" = 1'-0"



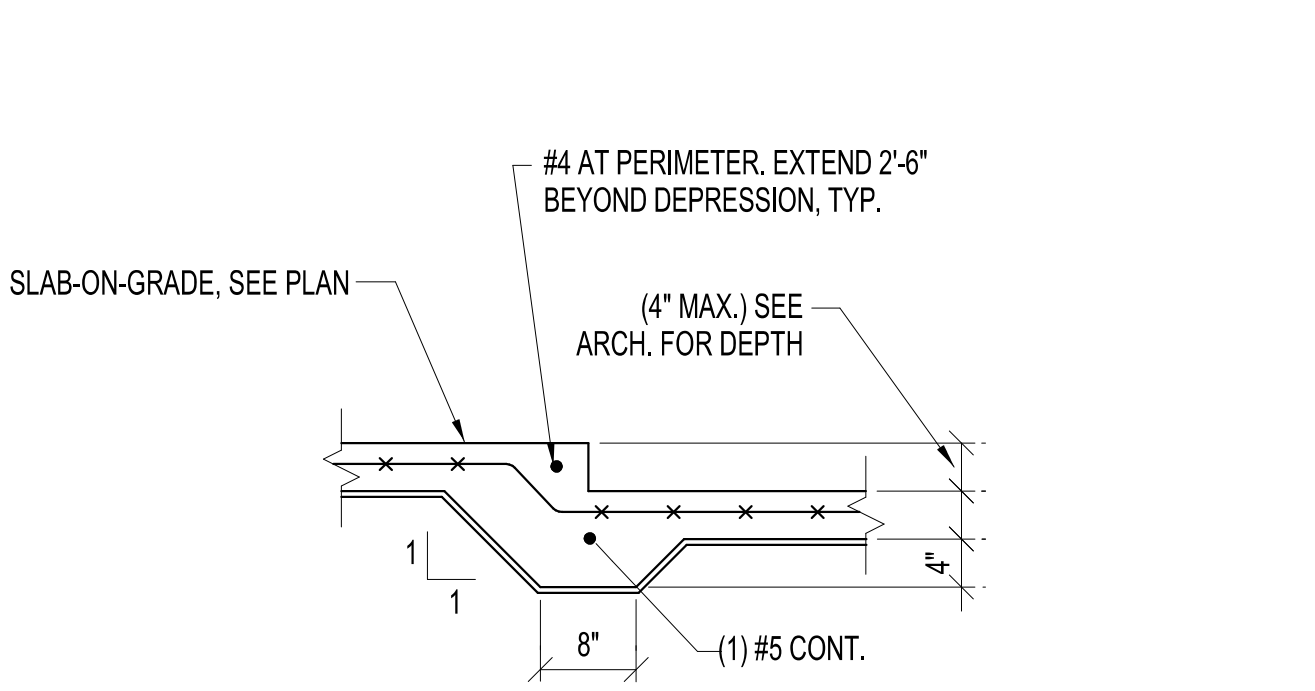
7 12IN MASONRY BOND BEAM CONNECTION
 3/4" = 1'-0"



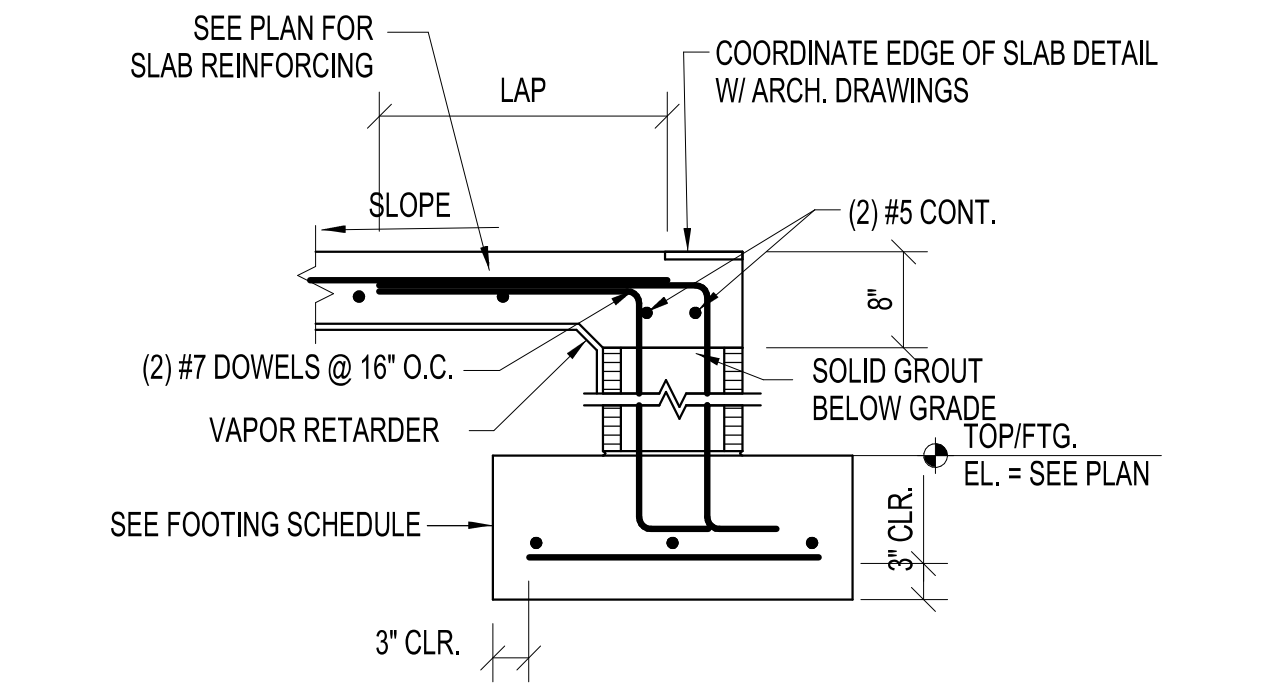
8 TYP WALL INTERSECTIONS
 3/4" = 1'-0"



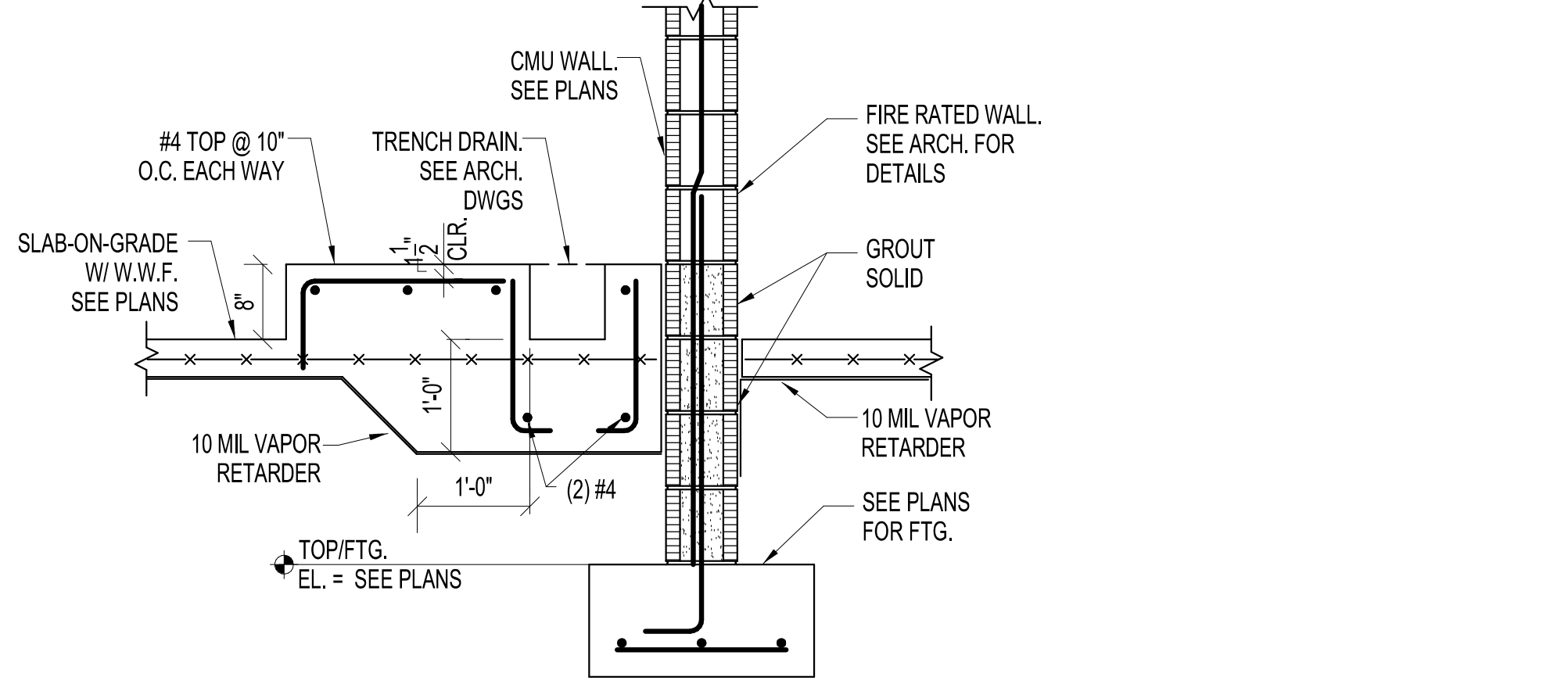
9 MASONRY CONTROL JOINT ELEVATION
 3/4" = 1'-0"



10 SLAB RECESS
 3/4" = 1'-0"



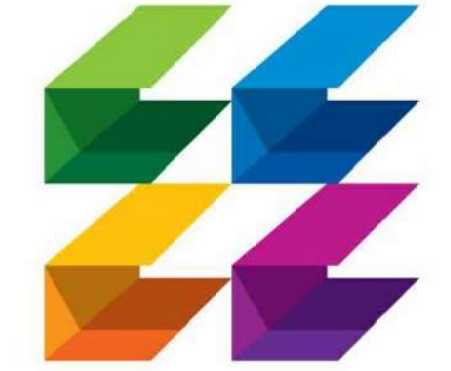
11 SLAB EDGE AT APPARATUS BAY
 3/4" = 1'-0"



12 DECON SLAB DETAIL
 3/4" = 1'-0"

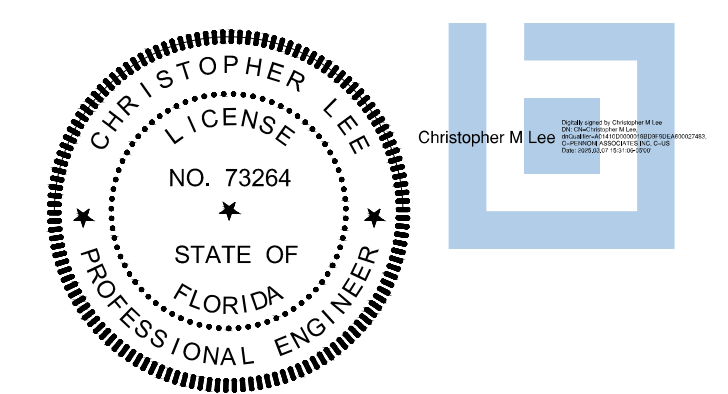
THIS DRAWING IS NOT FOR CONSTRUCTION. IT HAS BEEN ISSUED FOR GOVERNMENTAL REVIEW AND/OR PRELIMINARY PRICING ONLY.

Penroni
 5755 Rio Vista Drive
 Clearwater, FL 33760-3137
 (727) 536-8772
 Florida Co# 7819
 Christopher Lee, P.E., S.E.
 Florida P.E. 73264
 Penroni Project No. CSAAD23002



CURRIE SOWARDS AGUILU architects
 Architecture, Planning, Interiors, & Sustainable Design
 AA26001584
 185 NE 4TH AVENUE SUITE 101
 DELRAY BEACH, FL 33483
 T: (561) 276-4951 F: (561) 243-8184
 E-MAIL: office@csa-architects.com

ISSUED FOR:
 FLEX SUB
 DRC
 SPA
 BIDS
 PERMIT
 CONSTRUCTION
 SEAL

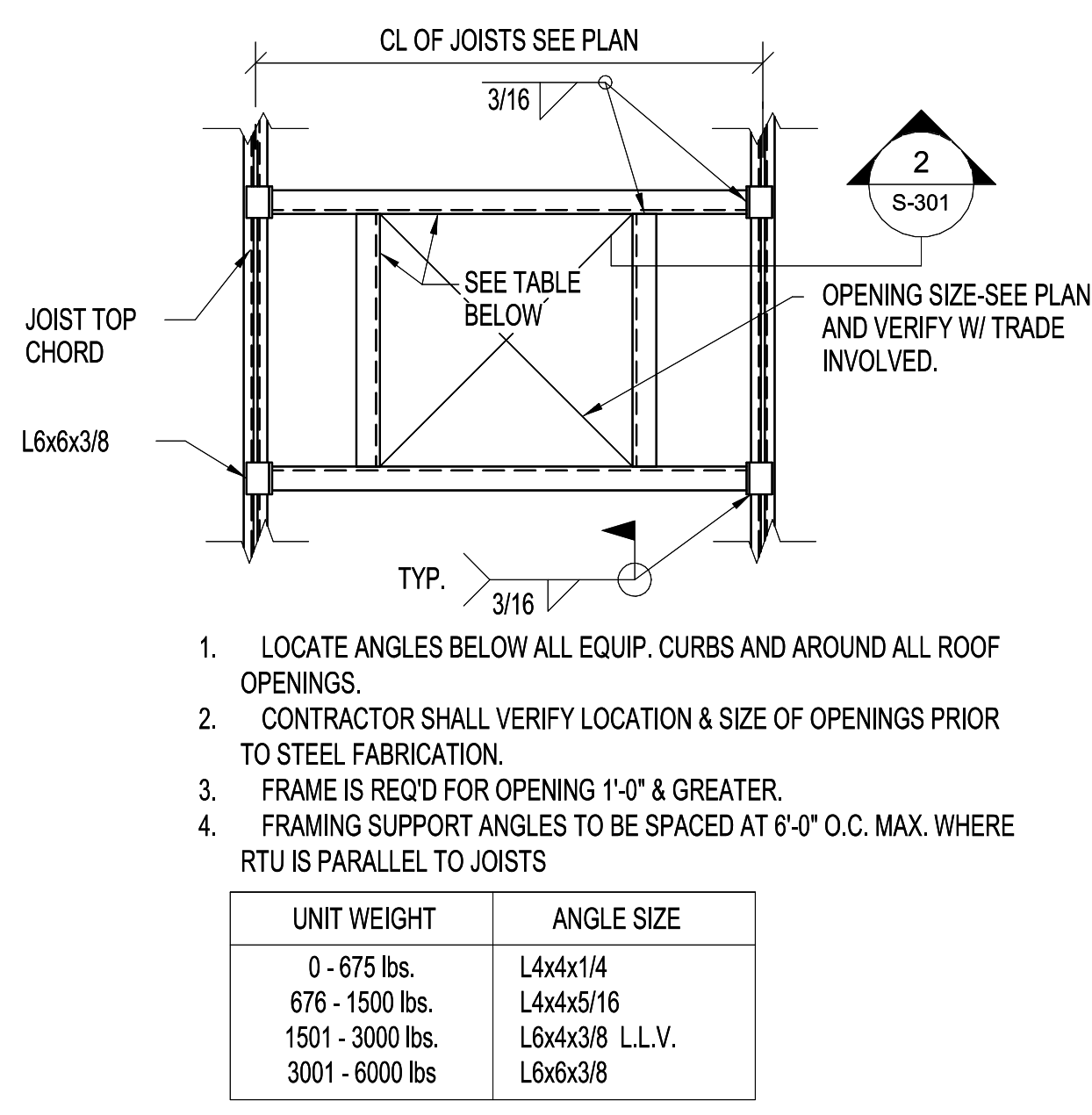


This item has been electronically signed and sealed by Christopher Lee using a Digital Signature and date. Printed copies of this document are not considered signed and sealed and the signature must be verified on any electronic copies.

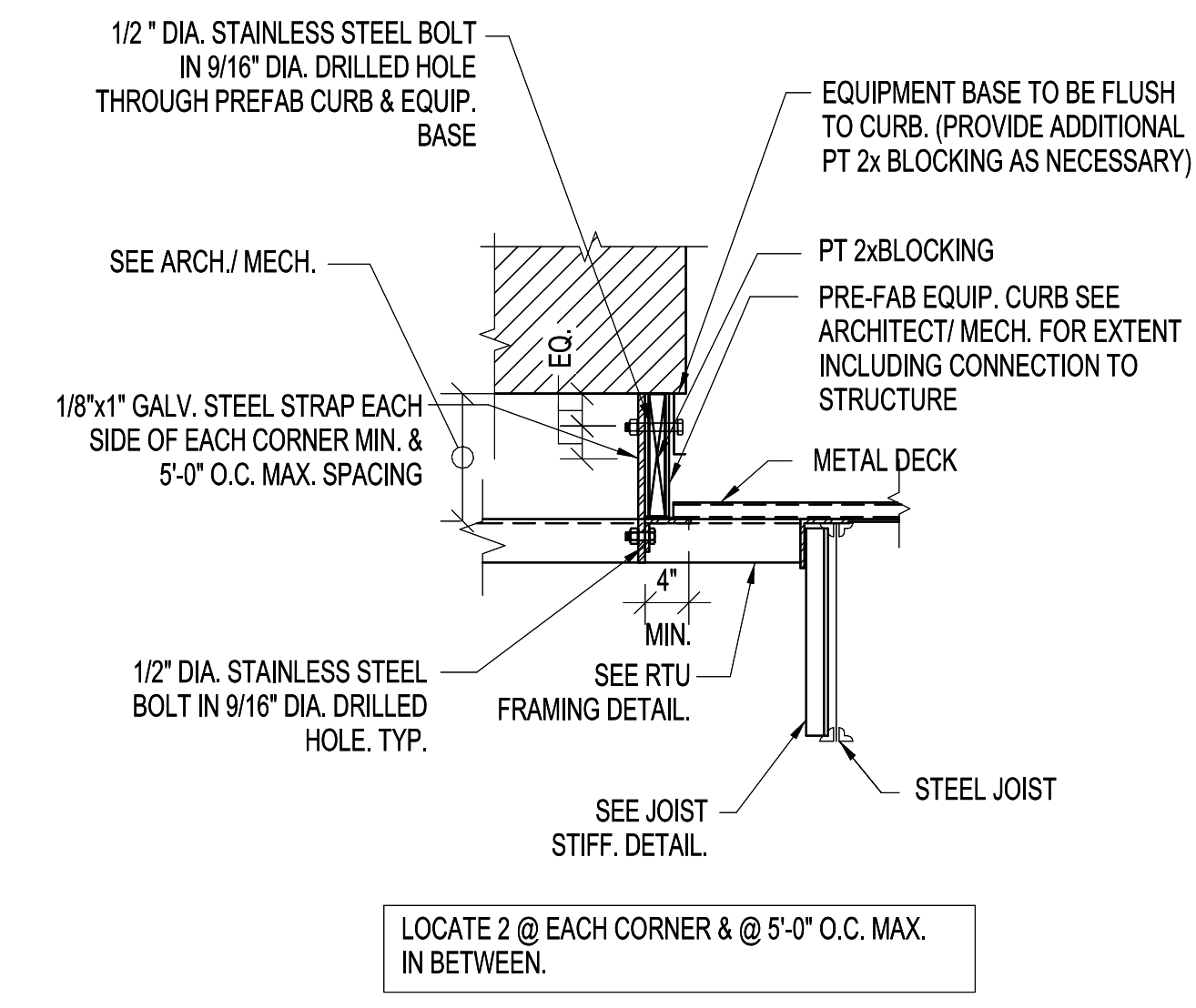
PROJECT TITLE
PBCFR FS 24

1734 SEMINOLE BLVD.,
 WEST PALM BEACH, FL.
 33409

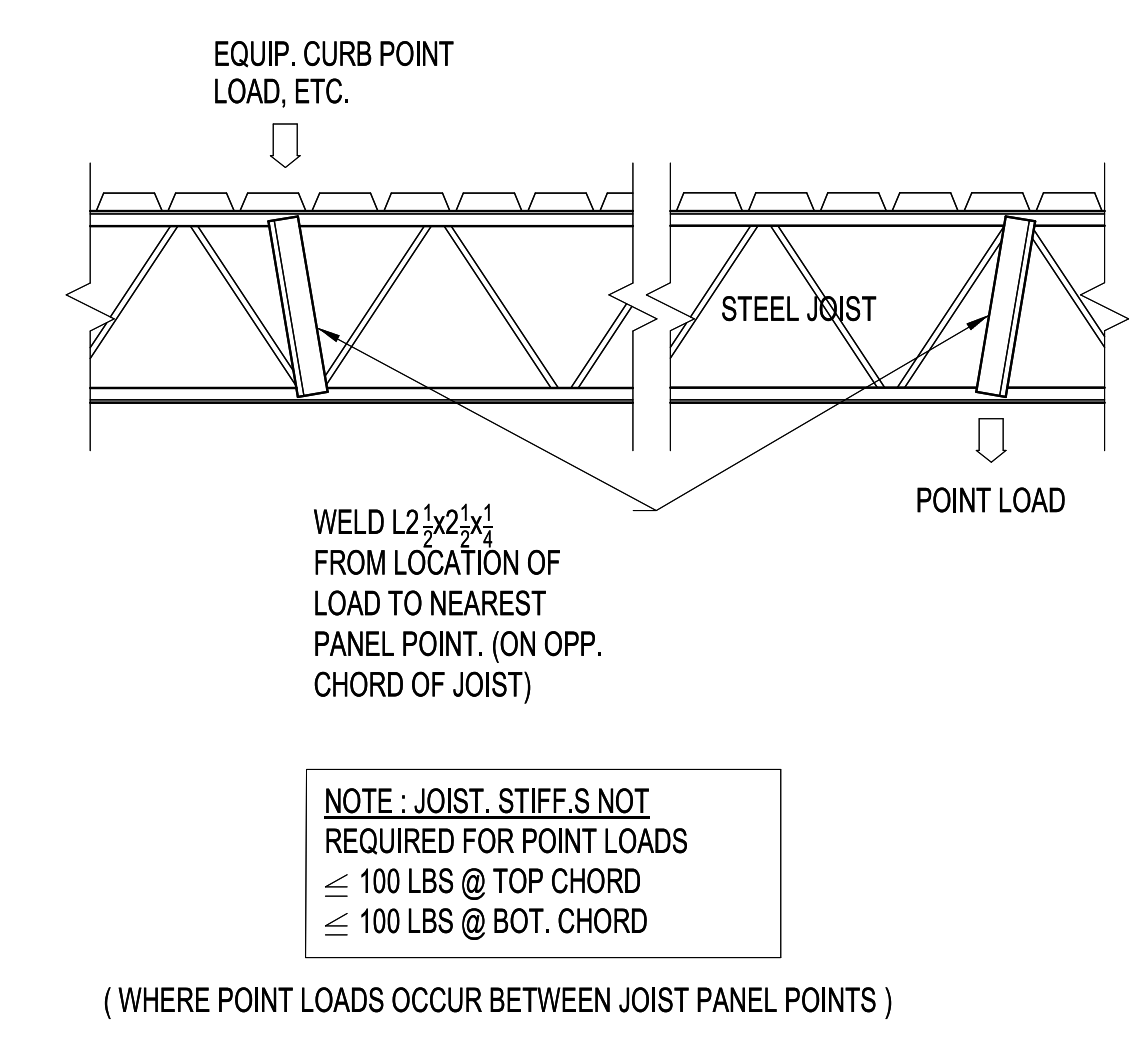
NUM.	DESCRIPTION	DATE



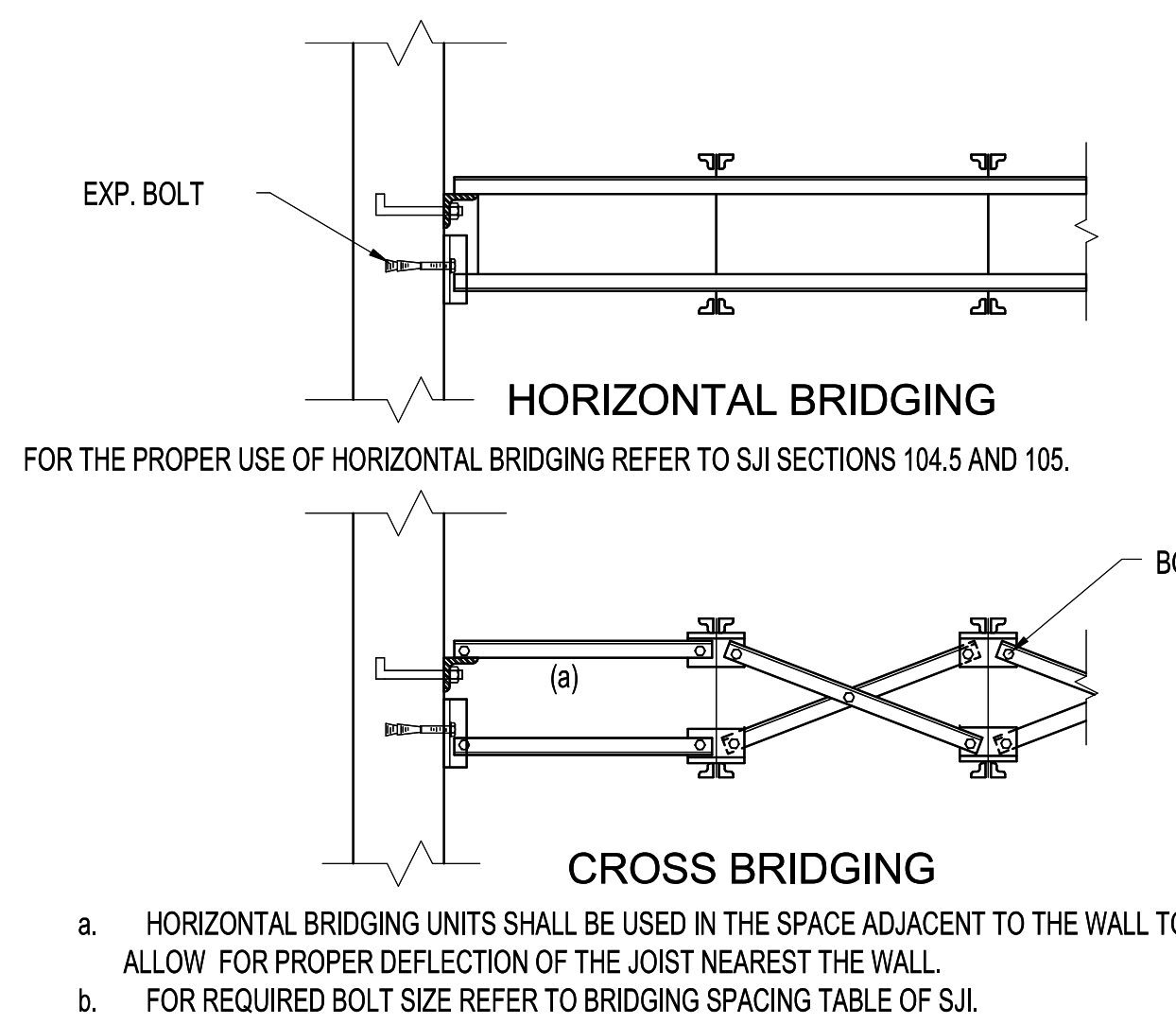
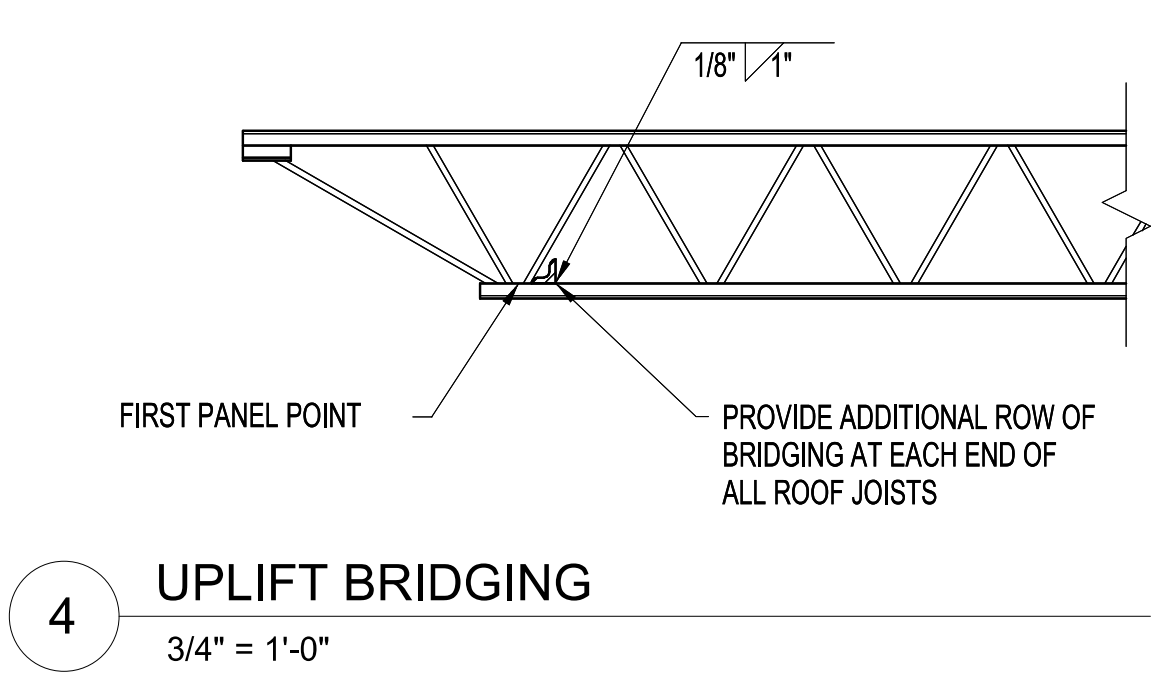
1 RTU FRAMING
 3/4" = 1'-0"



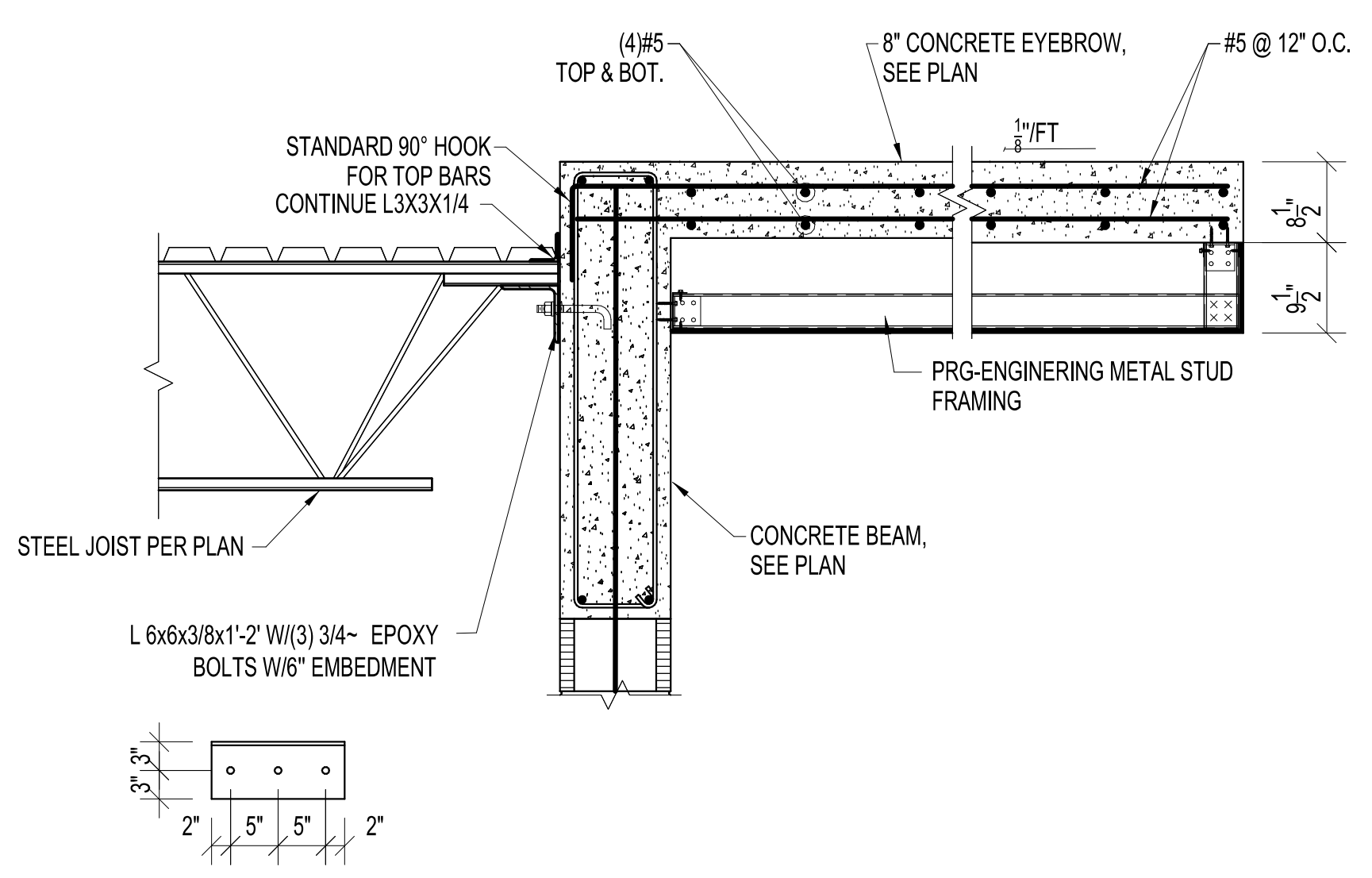
2 RTU HOLD DOWN
 3/4" = 1'-0"



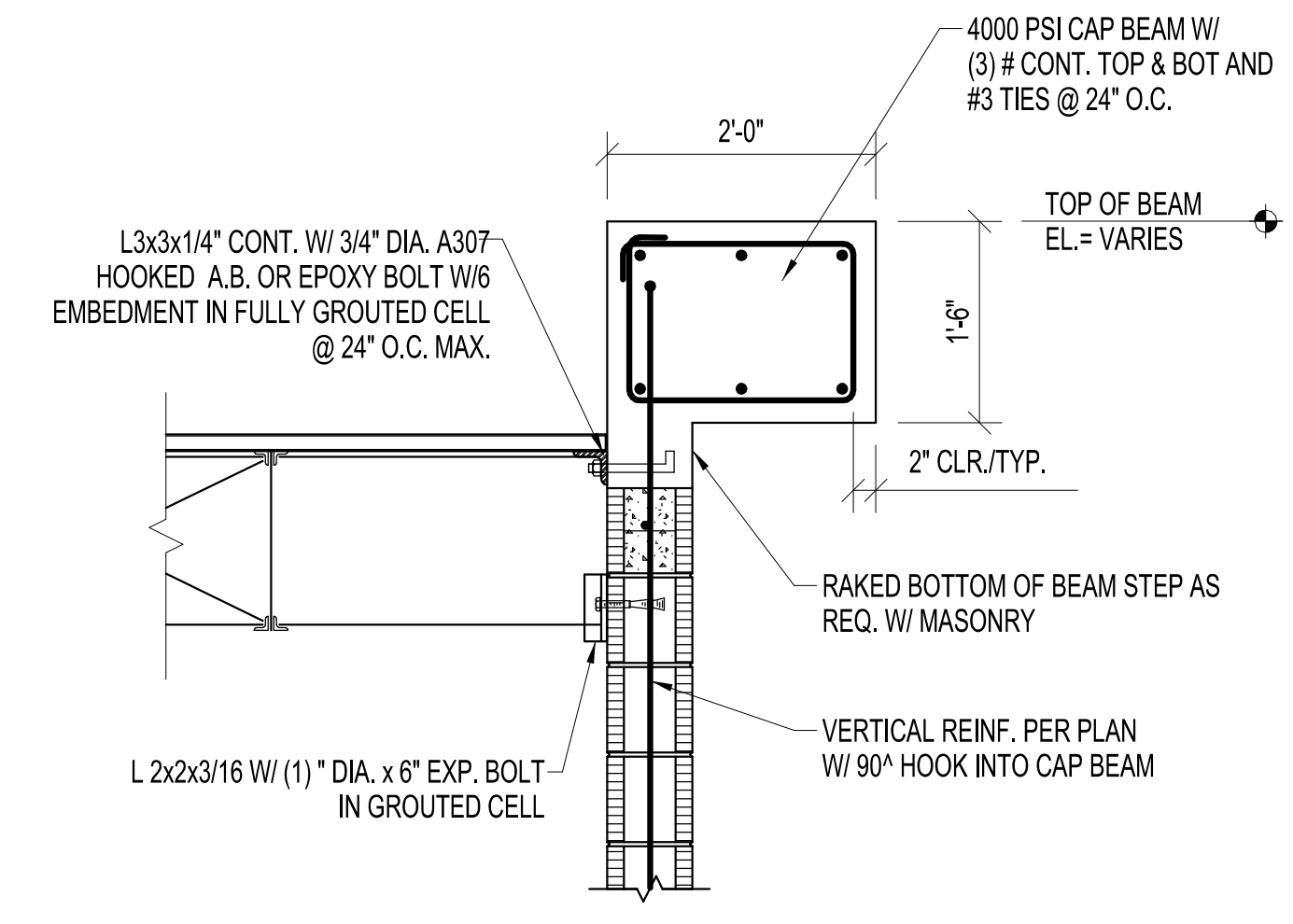
3 JOIST STIFFENER
 3/4" = 1'-0"



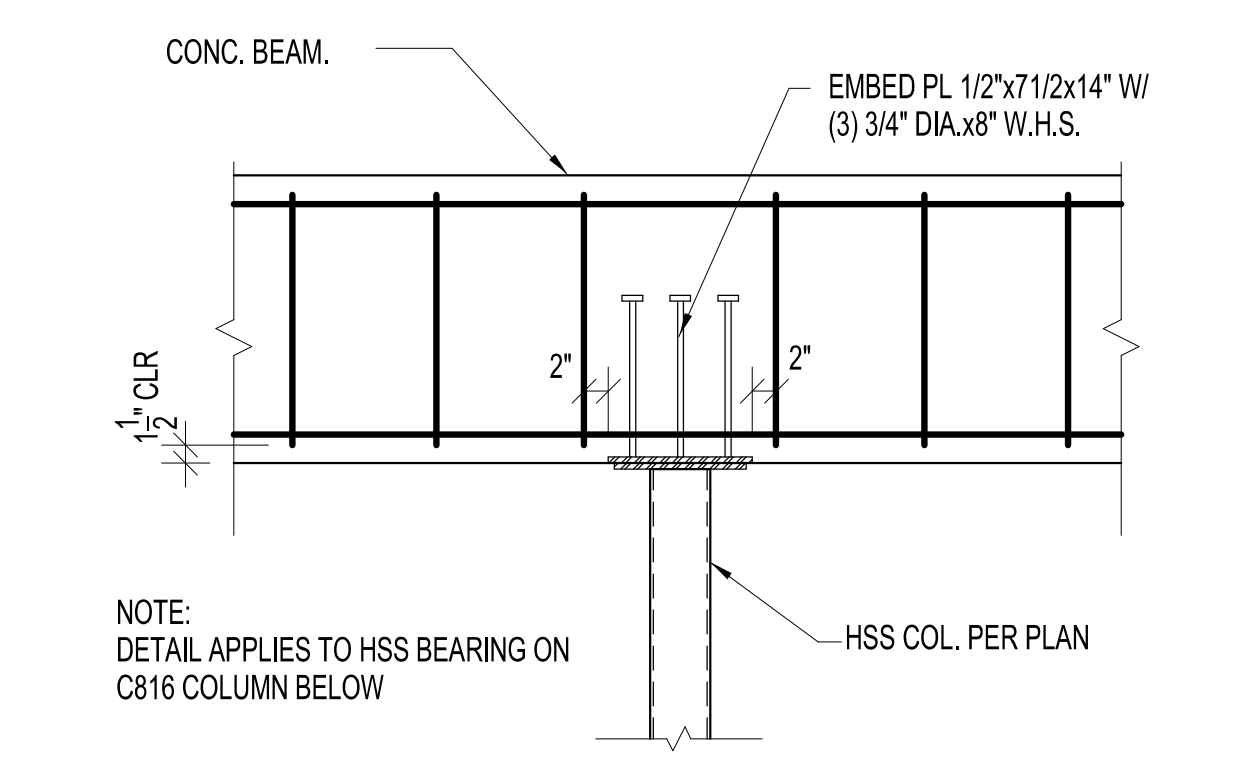
5 BRIDGING ANCHOR DETAILS
 3/4" = 1'-0"



6 APPARATUS BAY CANTILEVER
 3/4" = 1'-0"



7 7S-301 DECK BRG. @ APPARATUS BAY
 3/4" = 1'-0"



8 SECTION
 3/4" = 1'-0"

03/07/2025 ISSUE FOR PERMIT

THESE DRAWINGS ARE PREPARED PER ESTABLISHED INDUSTRY STANDARDS AND REPRESENT THE ARCHITECT AND ENGINEERS DESIGN CONCEPT. THEY ARE NOT INTENDED TO PROVIDE EVERY DETAIL OR CONDITION REQUIRED TO CONSTRUCT THE BUILDING. THE CONTRACTOR THROUGH SUBMITTALS AND OTHER COORDINATION EFFORTS IS FULLY RESPONSIBLE FOR PROVIDING A COMPLETE AND OPERATIONAL BUILDING WHETHER INDICATED ON THE PLANS OR NOT.

DRAWING TITLE
ROOF FRAMING DETAILS

DATE: _____ DRAWN BY: CP

JOB NUMBER
 230103

DRAWING NUMBER

S-301

THIS DOCUMENT IS THE PROPERTY OF CURRIE SOWARDS AGUILU ARCHITECTS INC. ALL RIGHTS ARE RESERVED. ANY REPRODUCTION OR OTHER USE OF THIS DOCUMENT, WITHOUT THE WRITTEN CONSENT OF CURRIE SOWARDS AGUILU ARCHITECTS INC., IS PROHIBITED. 3/7/2025 3:10:59 PM

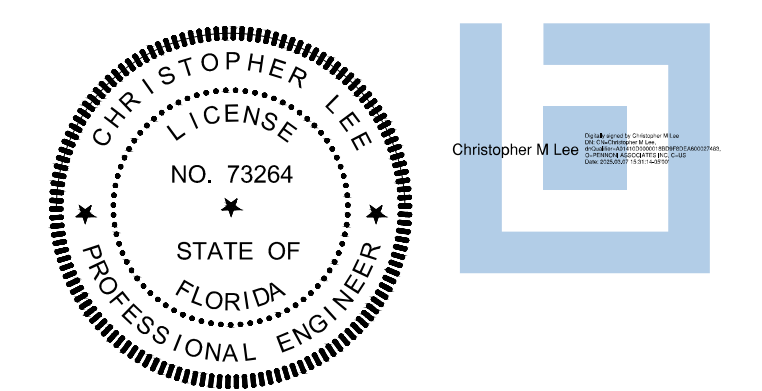
THIS DRAWING IS NOT FOR CONSTRUCTION. IT HAS BEEN ISSUED FOR GOVERNMENTAL REVIEW AND/OR PRELIMINARY PRICING ONLY.

Penroni
 5755 Rio Vista Drive
 Clearwater, FL 33760-3137
 (727) 536-8772
 Florida Co# 7819
 Christopher Lee, P.E., S.E.
 Florida P.E. # 73264
 Penroni Project No. CSAAD23002



CURRIE SOWARDS AGUILU architects
 Architecture, Planning, Interiors, & Sustainable Design
 AA26001584
 185 NE 4TH AVENUE SUITE 101
 DELRAY BEACH, FL 33483
 T: (561) 276-4951 F: (561) 243-8184
 E-MAIL: office@csa-architects.com

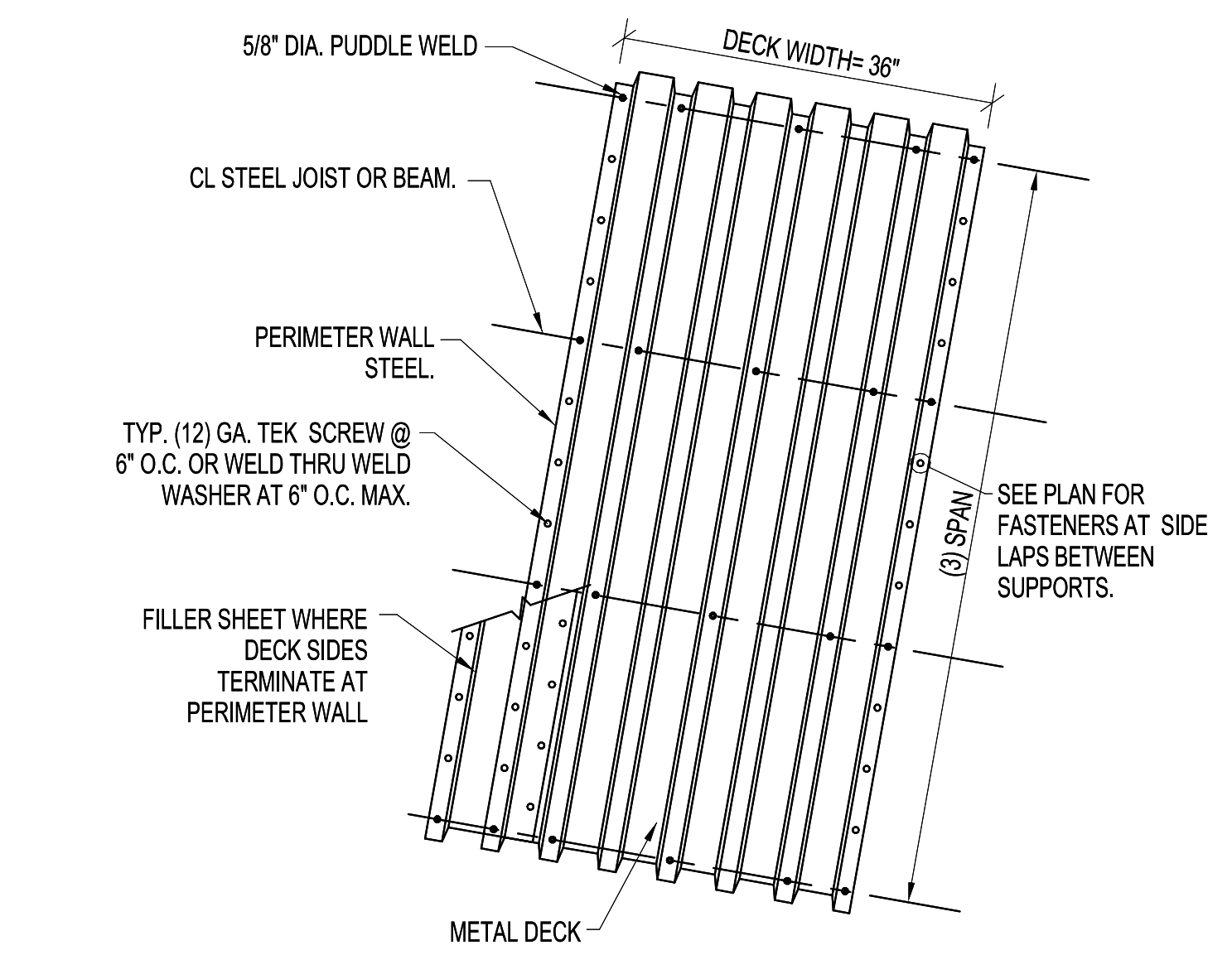
ISSUED FOR:
 FLEX SUB
 DRC
 SPA
 BIDS
 PERMIT
 CONSTRUCTION
 SEAL



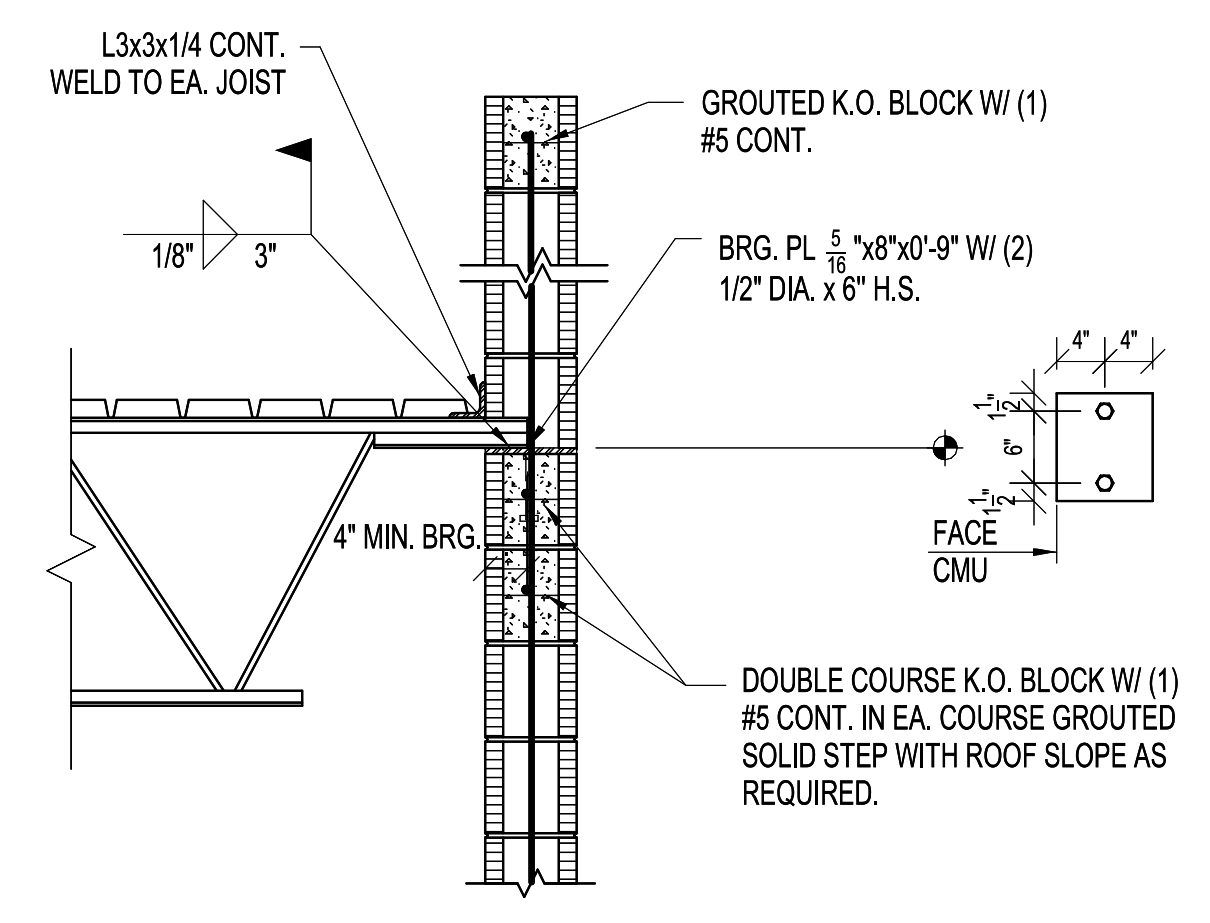
This item has been electronically signed and sealed by Christopher Lee using a Digital Signature and date. Printed copies of this document are not considered signed and sealed and the signature must be verified on any electronic copies.

PROJECT TITLE
PBCFR FS 24
 1734 SEMINOLE BLVD.,
 WEST PALM BEACH, FL.
 33409
 REVISIONS

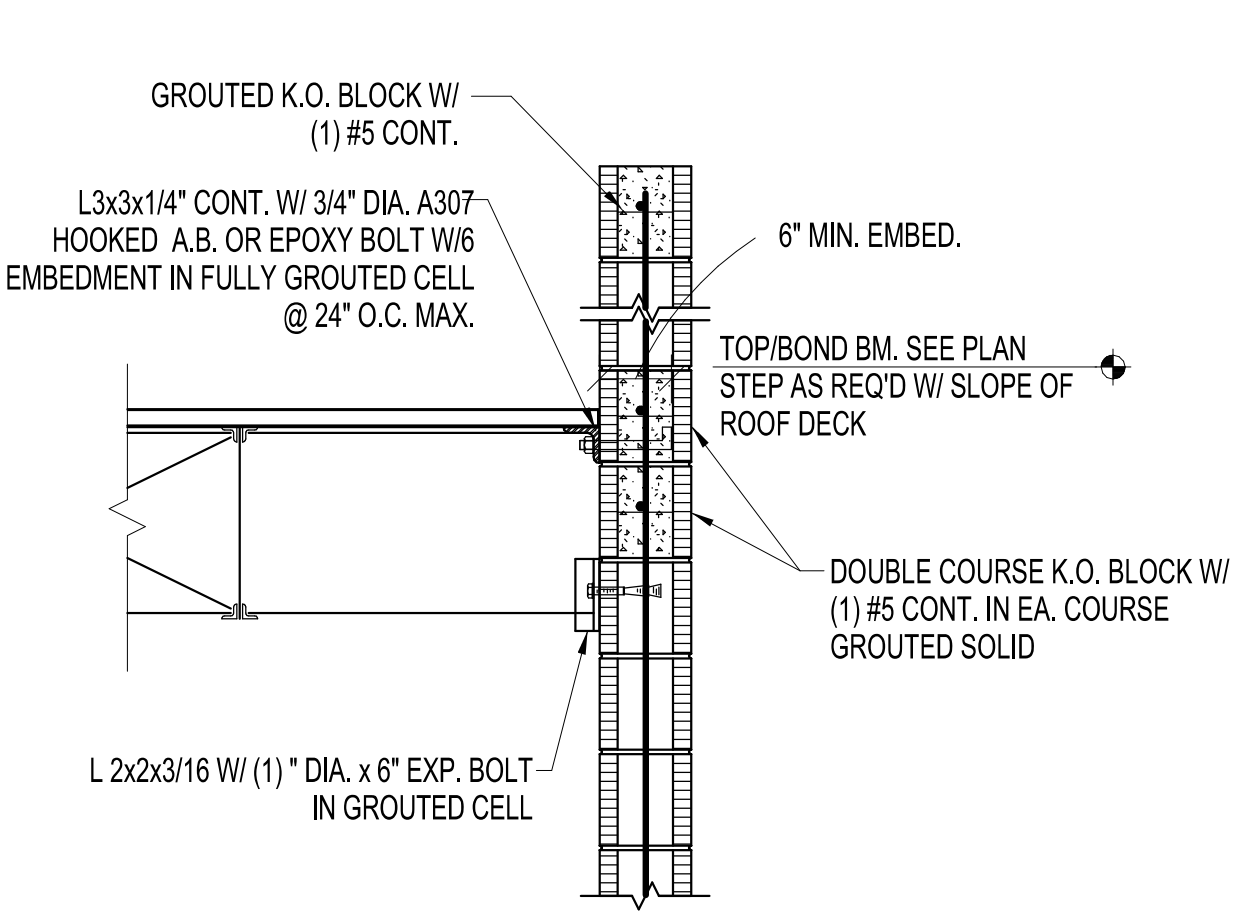
NUM.	DESCRIPTION	DATE



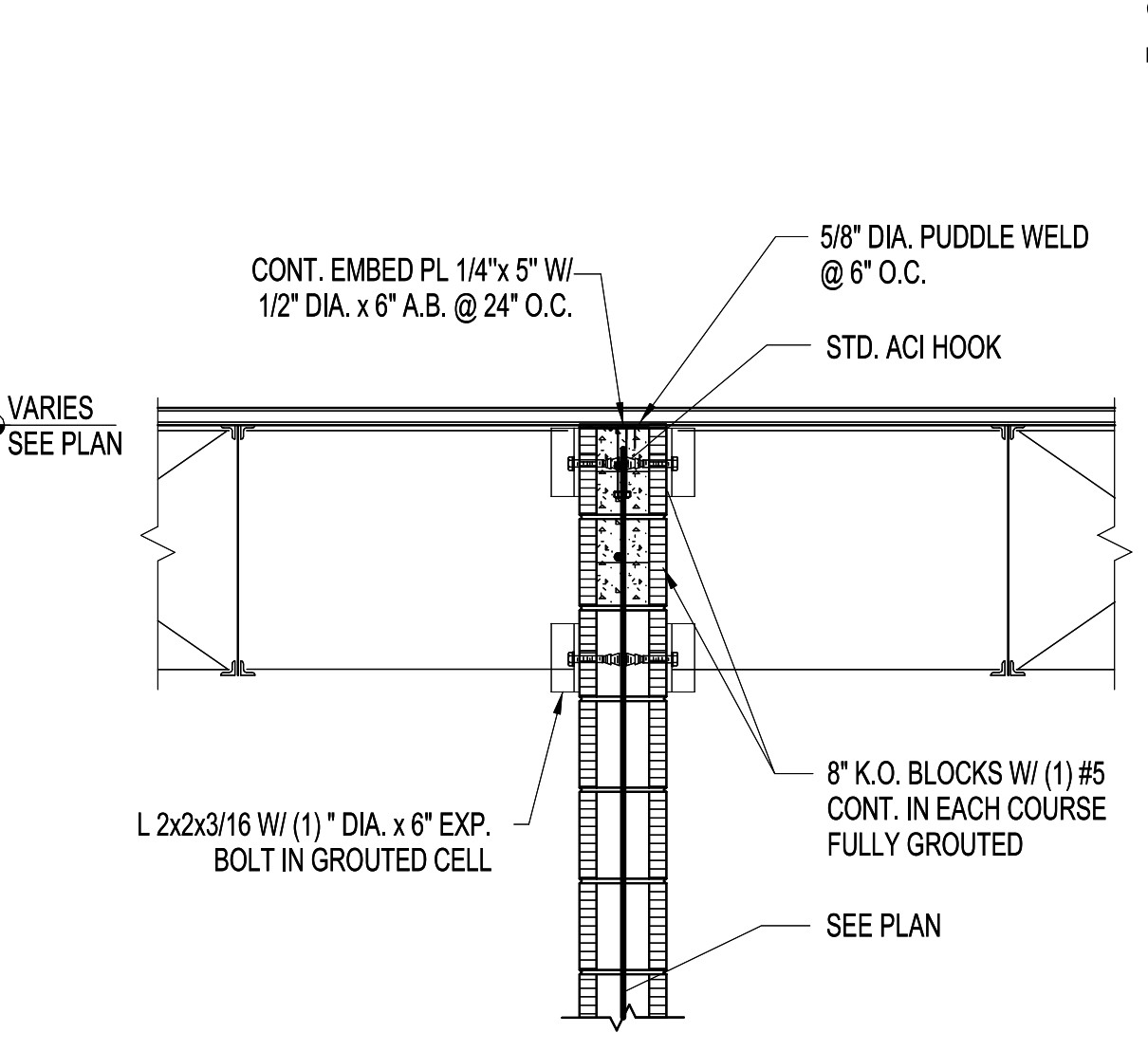
1 ROOF DECK FASTENERS
 3/4" = 1'-0"



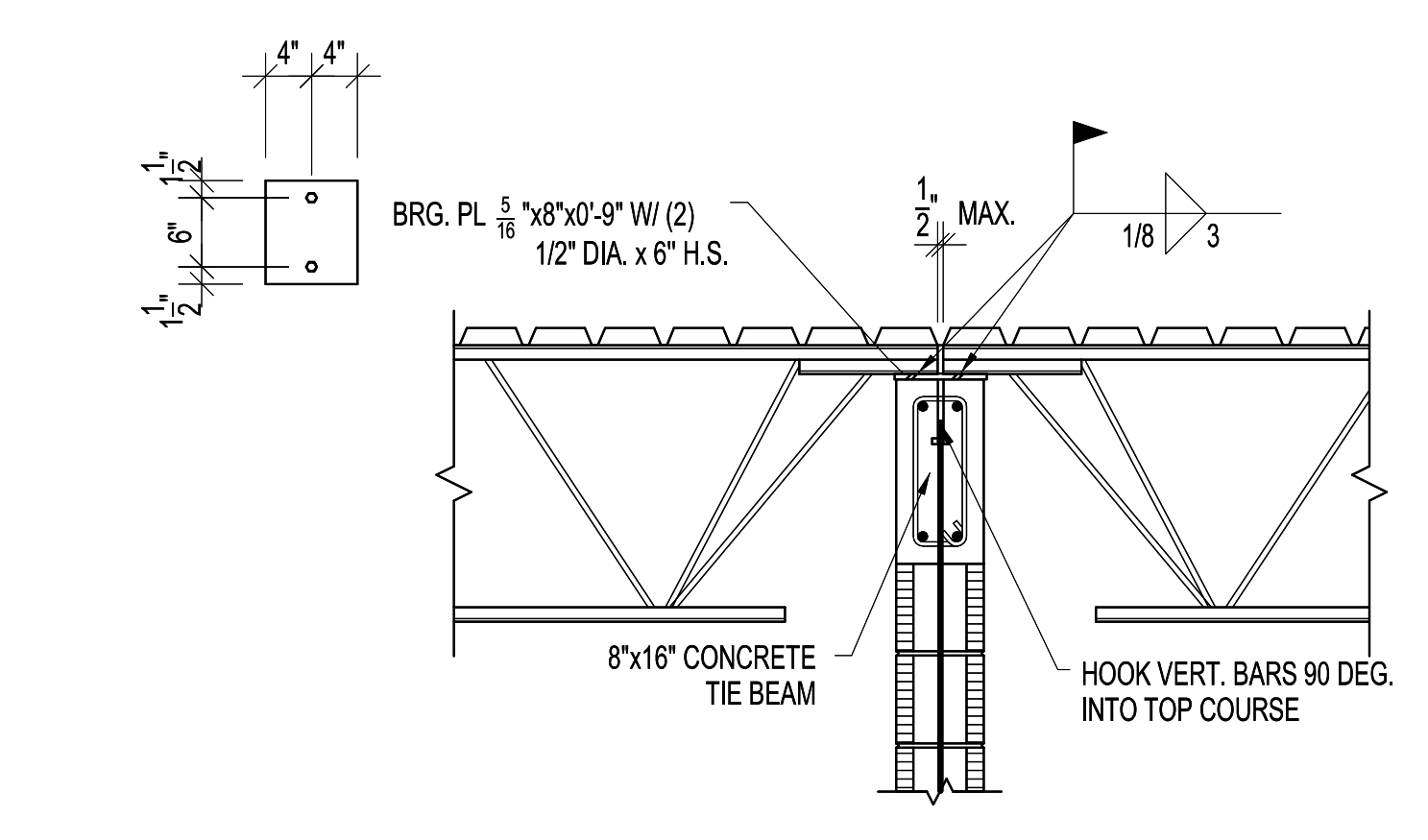
2 K-SERIES JOIST BEARING
 3/4" = 1'-0"



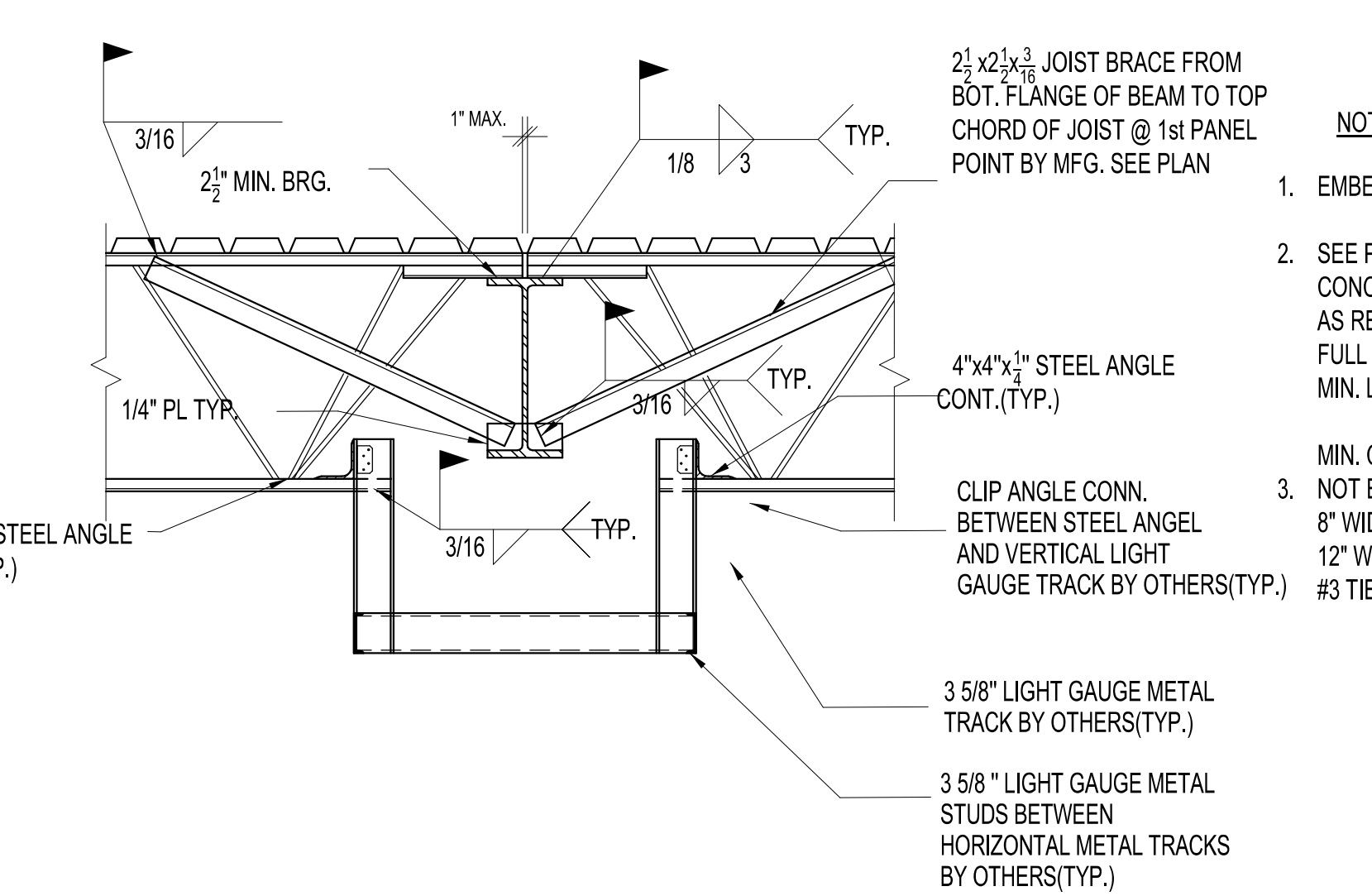
3 DECK BEARING
 3/4" = 1'-0"



4 DECK BEARING
 3/4" = 1'-0"



5 K-SERIES JOIST BEARING
 3/4" = 1'-0"



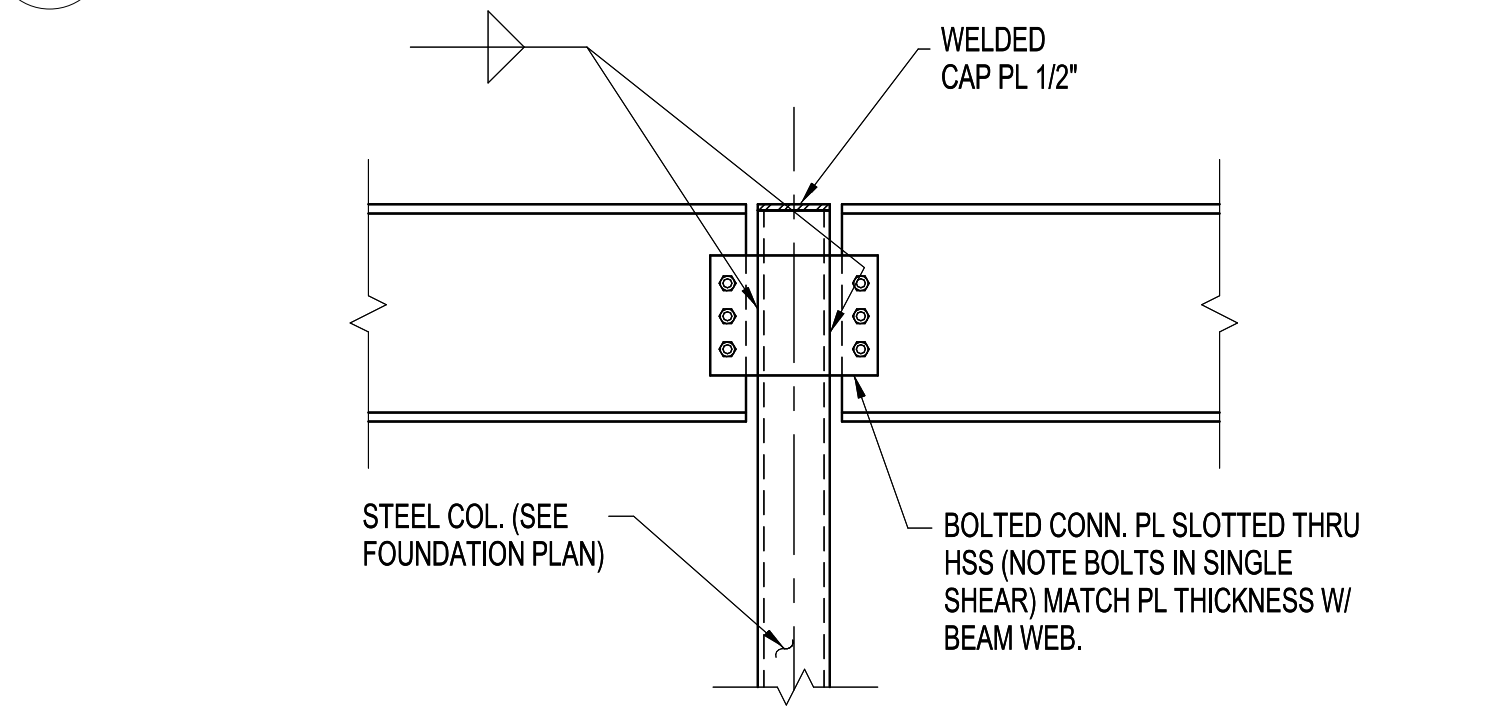
6 JOIST BEARING AT STEEL BEAM AT THE EXHAUST DUCT LOCATION
 3/4" = 1'-0"

NOTES:

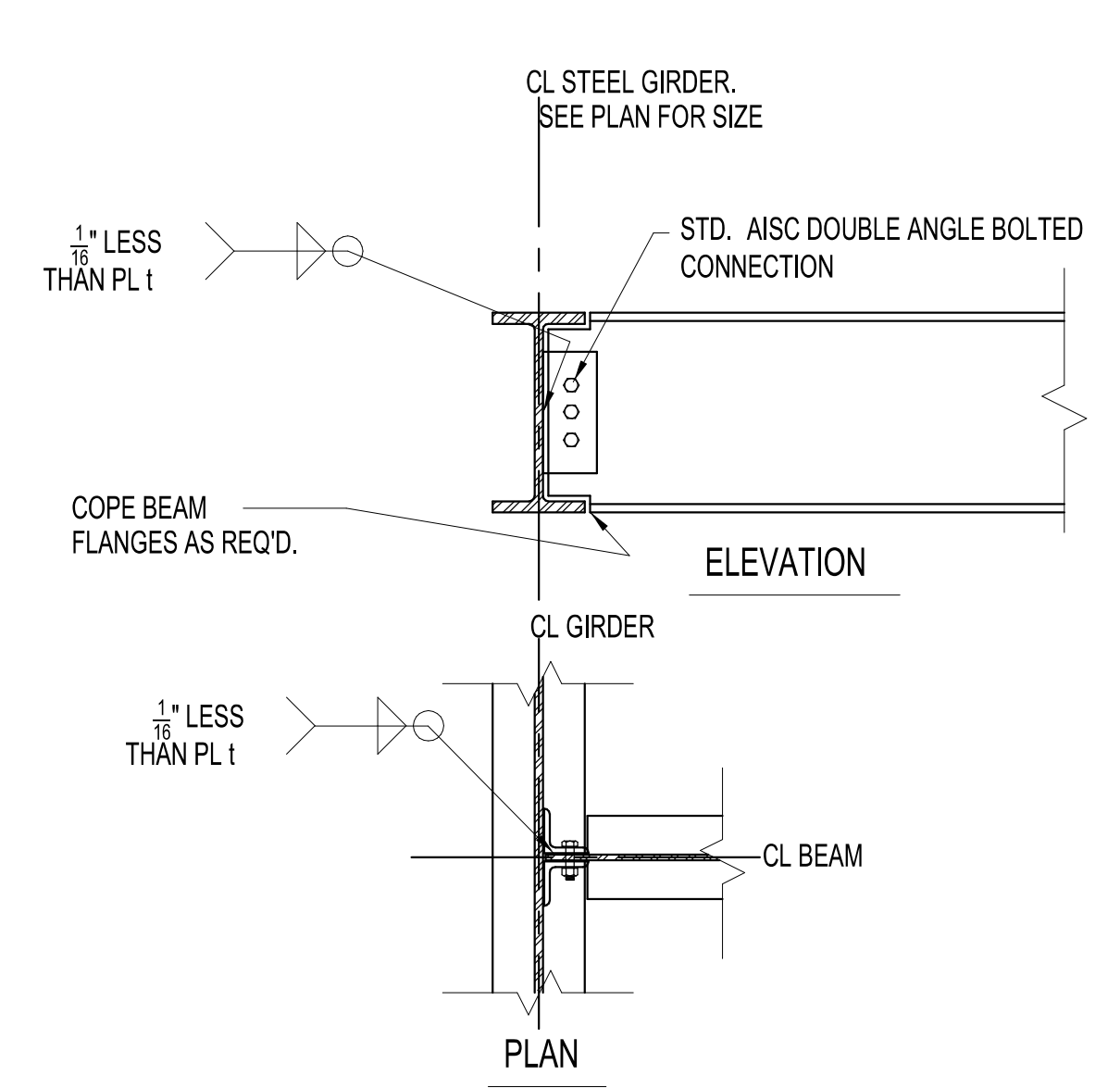
- EMBED IN CONCRETE.
- SEE PLATE SIZE FOR MIN. DEPTH CONC. INCREASE TIE BEAM DEPTH AS REQUIRED TO ACCOMMODATE FULL PLATE DEPTH. PROVIDE 24" MIN. LENGTH.
- MIN. CONC. TIE BEAM REINF. WHEN NOT EMBEDDED IN CONC. COL.:
 8" WIDE BEAM- (2) #5 @ 8" O.C.
 12" WIDE BEAM- (2) #6 @ 8" O.C. & (3) #3 TIES

EMBED PLATE SCHEDULE

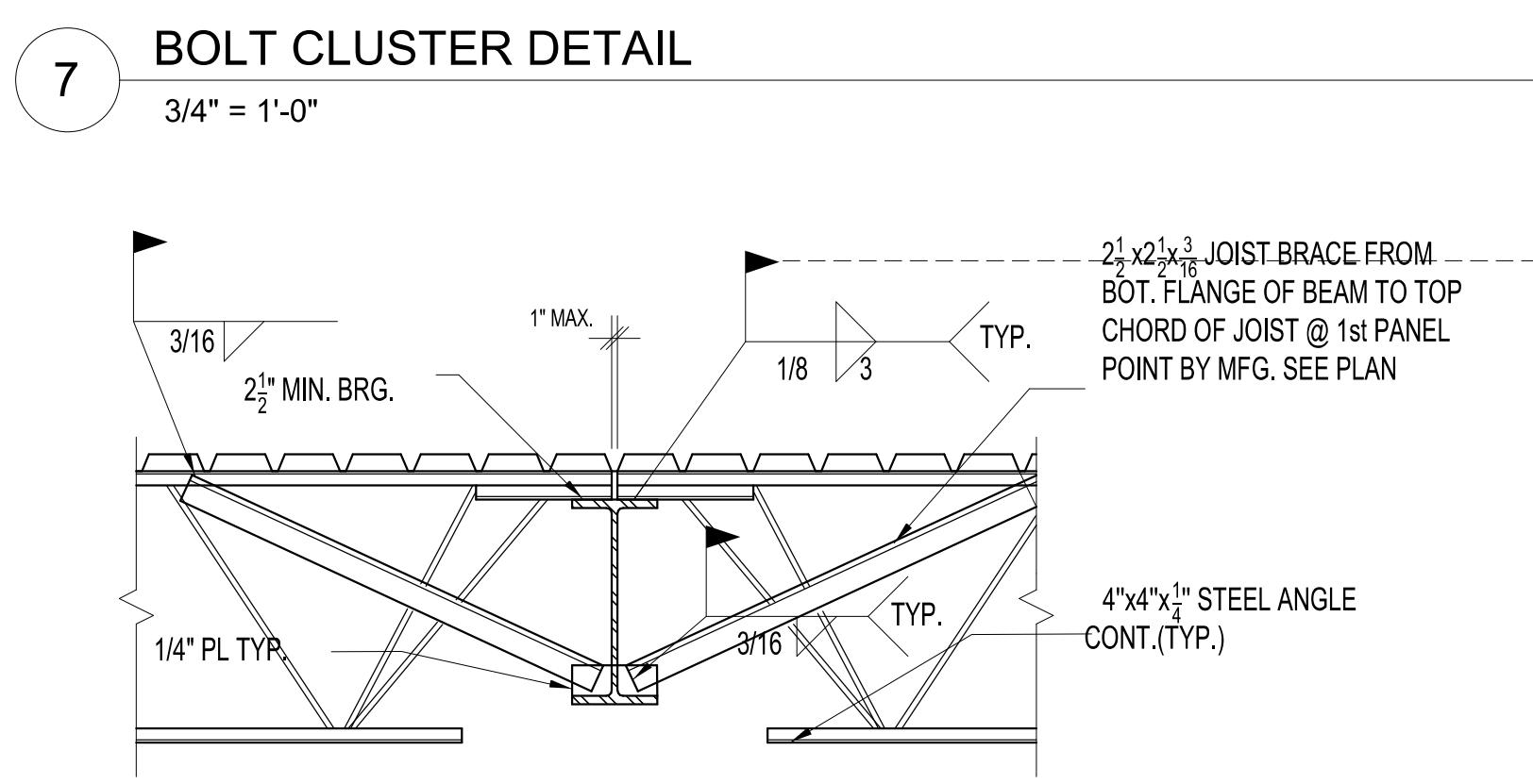
BEAM SERIES	MAX REACT. (KIPS)	FRAMING ANGLES	NO. BOLTS	BOLT TYPE	PLATE SIZE (E x W x D)	NO. OF SHEAR STUDS			STUD LENGTH	MIN. EDGE DISTANCE
						COLUMNS	ROWS	TOTAL		
W14	55K	(2) L4x4x3/8x9"	3 @ 3' O.C.	A325-N	1/2x14x1'-7"	3 @ 5" O.C.	3 @ 5" O.C.	9	5"	21/2"
W16	74K	(2) L4x4x3/8x12"	4 @ 3' O.C.	A325-N	5/8x14x1'-10"	3 @ 5" O.C.	4 @ 5" O.C.	12	5"	21/2"
W18	92K	(2) L4x4x3/8x15"	5 @ 3' O.C.	A325-N	5/8x14x2'-0"	3 @ 5" O.C.	5 @ 5" O.C.	15	5"	21/2"
W33	167K	(2) L4x4x3/8x27"	9 @ 3' O.C.	A325-N	3/4x16x3'-5"	3 @ 6" O.C.	7 @ 6" O.C.	21	6"	5"



7 BEAM COLUMN CONNECTION
 3/4" = 1'-0"



8 BEAM TO GIRDER WEB CONN
 3/4" = 1'-0"



9 BOLT CLUSTER DETAIL
 3/4" = 1'-0"

9 BEAM TO GIRDER WEB CONN
 3/4" = 1'-0"

10 JOIST BEARING AT STEEL BEAM
 3/4" = 1'-0"

ISSUE FOR PERMIT

THESE DRAWINGS ARE PREPARED PER ESTABLISHED INDUSTRY STANDARDS AND REPRESENT THE ARCHITECT AND ENGINEERS DESIGN CONCEPT. THEY ARE NOT INTENDED TO PROVIDE EVERY DETAIL OR CONDITION REQUIRED TO CONSTRUCT THE BUILDING. THE CONTRACTOR THROUGH SUBMITTALS AND OTHER COORDINATION EFFORTS IS FULLY RESPONSIBLE FOR PROVIDING A COMPLETE AND OPERATIONAL BUILDING WHETHER INDICATED ON THE PLANS OR NOT.

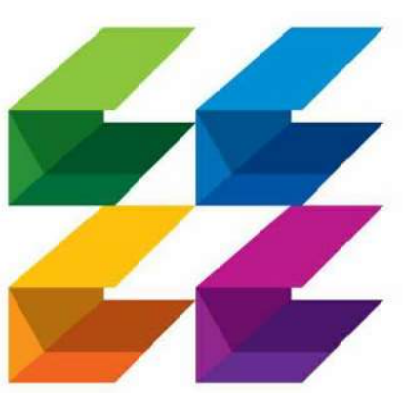
DRAWING TITLE
ROOF FRAMING DETAILS
 DATE
 DRAWN BY
 CP
 JOB NUMBER
 230103
 DRAWING NUMBER

S-302

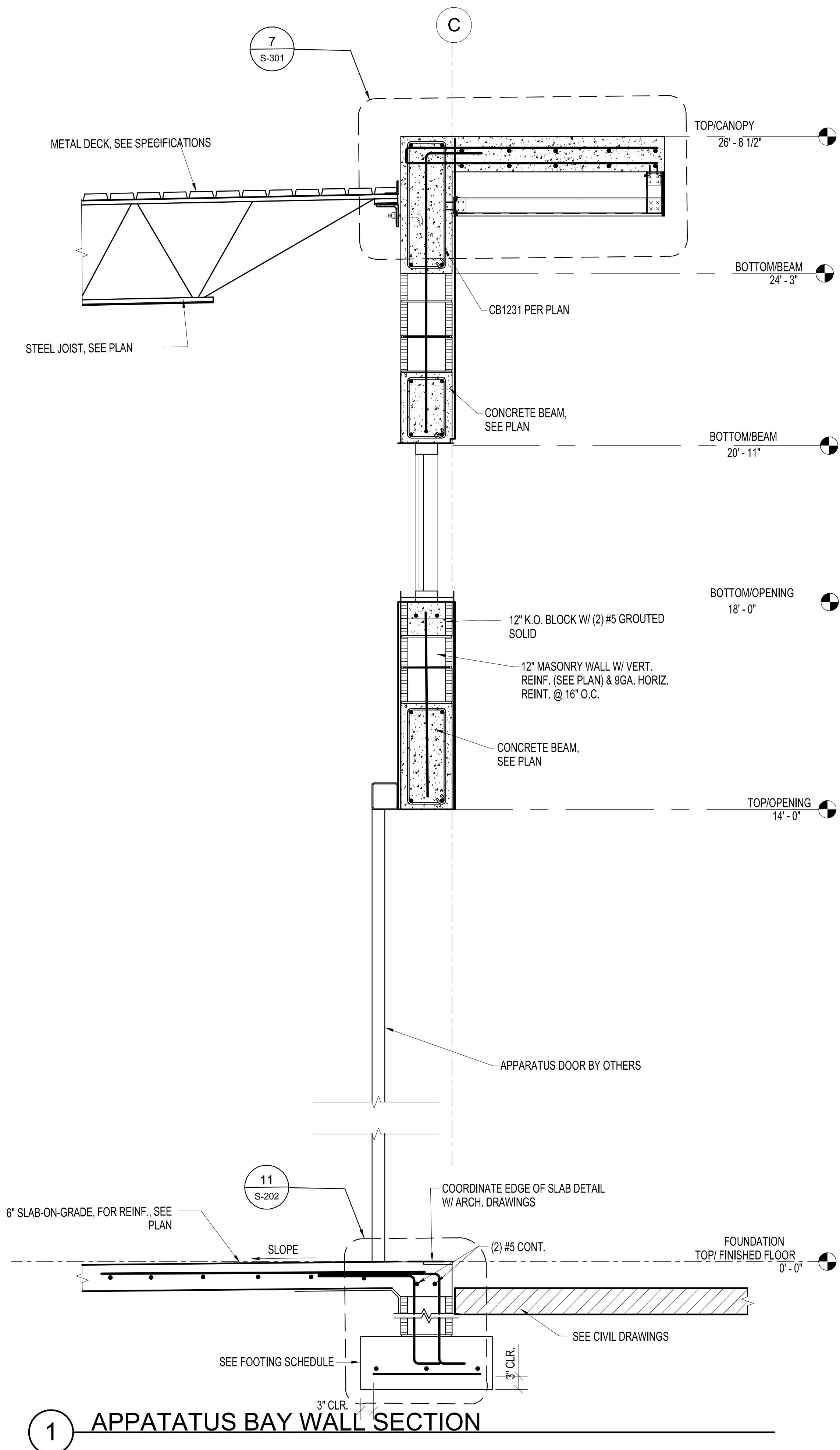
THIS DOCUMENT IS THE PROPERTY OF CURRIE SOWARDS AGUILU ARCHITECTS INC. ALL RIGHTS ARE RESERVED. ANY POSSESSION, REPRODUCTION OR OTHER USE OF THIS DOCUMENT, WITHOUT THE WRITTEN CONSENT OF CURRIE SOWARDS AGUILU ARCHITECTS INC., IS PROHIBITED. 3/7/2025 3:10:59 PM

THIS DRAWING IS NOT FOR CONSTRUCTION. IT HAS BEEN ISSUED FOR GOVERNMENTAL REVIEW AND/OR PRELIMINARY PRICING ONLY.

Pennoni
 5755 Rio Vista Drive
 Clearwater, FL 33760-3137
 (727) 536-8772
 Florida Cx# 7819
 Christopher Lee, P.E., S.E.
 Florida P.E. 73264
 Pennoni Project No. CSAAD23002

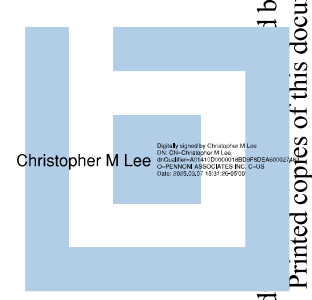


CURRIE SOWARDS AGUILA architects
 Architecture, Planning, Interiors, & Sustainable Design
 AA26001584
 185 NE 4TH AVENUE SUITE 101
 DELRAY BEACH, FL 33483
 T: (561) 276-4951 F: (561) 243-8184
 E-MAIL: office@csa-architects.com



1 APPATATUS BAY WALL SECTION

ISSUED FOR :
 DRC
 BIDS
 PERMIT
 CONSTRUCTION
 SEAL



PROJECT TITLE
PBCFR FS 24

ISSUE FOR PERMIT FOR CONSTRUCTION - NOT FOR FINAL PRICING - SUBJECT TO CHANGE

1734 SEMINOLE BLVD.,
 WEST PALM BEACH, FL.
 33409

REVISIONS	NUM.	DESCRIPTION	DATE

THESE DRAWINGS ARE PREPARED PER ESTABLISHED INDUSTRY STANDARDS AND REPRESENT THE ARCHITECT AND ENGINEERS DESIGN CONCEPT. THEY ARE NOT INTENDED TO PROVIDE EVERY DETAIL OR CONDITION REQUIRED TO CONSTRUCT THE BUILDING. THE CONTRACTOR THROUGH SUBMITTALS AND OTHER COORDINATION EFFORTS IS FULLY RESPONSIBLE FOR PROVIDING A COMPLETE AND OPERATIONAL BUILDING WHETHER INDICATED ON THE PLANS OR NOT.

FILE NUMBER
 C:\Users\svukodin\Documents\CSAAD23002 - Palm Beach County Fire Station 24 Structure\23-Svukodin.rvt
 DRAWING TITLE

WALL SECTIONS

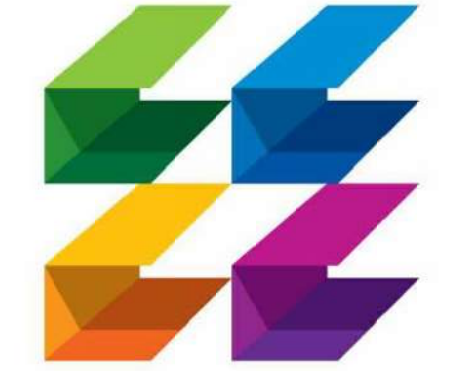
DATE: 03/07/2025
 DRAWN BY: SV
 JOB NUMBER: 230103
 DRAWING NUMBER

S-401

THIS DOCUMENT IS THE PROPERTY OF CURRIE SOWARDS AGUILA ARCHITECTS INC. ALL RIGHTS ARE RESERVED. ANY POSSESSION, REPRODUCTION OR OTHER USE OF THIS DOCUMENT, WITHOUT THE WRITTEN CONSENT OF CURRIE SOWARDS AGUILA ARCHITECTS INC., IS PROHIBITED.
 3/7/2025 3:10:59 PM

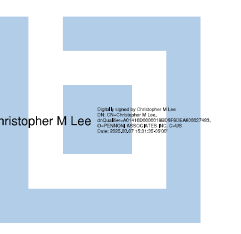
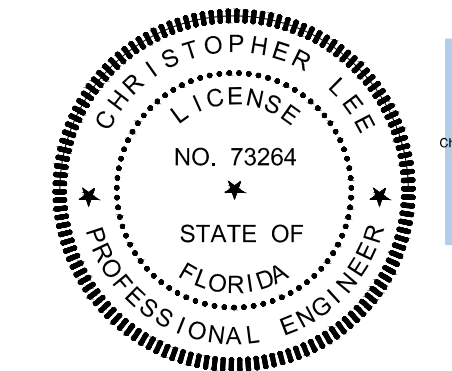
THIS DRAWING IS NOT FOR CONSTRUCTION. IT HAS BEEN ISSUED FOR GOVERNMENTAL REVIEW AND/OR PRELIMINARY PRICING ONLY.

Pennoni
 5755 Rio Vista Drive
 Clearwater, FL 33760-3137
 (727) 536-8772
 Florida Co# 7819
 Christopher Lee, P.E., S.E.
 Florida P.E. 73264
 Pennoni Project No. CSAA023002



CURRIE SOWARDS AGUILA architects
 Architecture, Planning, Interiors, & Sustainable Design
 AA26001584
 185 NE 4TH AVENUE SUITE 101
 DELRAY BEACH, FL 33483
 T: (561) 276-4951 F: (561) 243-8184
 E-MAIL: office@csa-architects.com

ISSUED FOR :
 FLEX SUB
 DRC
 SPA
 BIDS
 PERMIT
 CONSTRUCTION
 SEAL



This item has been electronically signed and sealed by Christopher Lee using a Digital Signature and date. Printed copies of this document are not considered signed and sealed and the signature must be verified on any electronic copies.

PROJECT TITLE
PBCFR FS 24

1734 SEMINOLE BLVD.,
 WEST PALM BEACH, FL.
 33409

REVISIONS

NUM.	DESCRIPTION	DATE

ISSUE FOR PERMIT
 03/07/2025

THESE DRAWINGS ARE PREPARED PER ESTABLISHED INDUSTRY STANDARDS AND REPRESENT THE ARCHITECT AND ENGINEERS DESIGN CONCEPT. THEY ARE NOT INTENDED TO PROVIDE EVERY DETAIL OR CONDITION REQUIRED TO CONSTRUCT THE BUILDING. THE CONTRACTOR THROUGH SUBMITTALS AND OTHER COORDINATION EFFORTS IS FULLY RESPONSIBLE FOR PROVIDING A COMPLETE AND OPERATIONAL BUILDING WHETHER INDICATED ON THE PLANS OR NOT.

DRAWING TITLE
ISOMETRIC FRAMING

DATE: _____ DRAWN BY: CP
 JOB NUMBER: 230103
 DRAWING NUMBER: _____

S-501



THIS DOCUMENT IS THE PROPERTY OF CURRIE SOWARDS AGUILA ARCHITECTS INC. ALL RIGHTS ARE RESERVED. ANY POSSESSION, REPRODUCTION OR OTHER USE OF THIS DOCUMENT, WITHOUT THE WRITTEN CONSENT OF CURRIE SOWARDS AGUILA ARCHITECTS INC., IS PROHIBITED.
 3/7/2025 3:11:08 PM