

Facility Name: Orlando Health Melbourne Hospital
 Project Name: Freestanding ER - Viera
 OPC Project #: 23/23960034-19987

REV	DESCRIPTION	DATE/DFTR
PA1	ROOM LAYOUT PER PM REQUEST AND SKETCH COMPASS OTC SYSTEM TILTING WS3 TBL2 LAYOUT, NEW UNISTRUT ADDED.	01.14.2026 OBSTARCZYK
PF1	PRELIMINARY FINAL DRAWING PER PM REQUEST & REDLINE MARKUPS.	01.29.2026 RODRIGUEZ
F1	FINAL DRAWING PER PM REQUEST & REDLINE MARKUPS. NAME UPDATED	02.11.2026 RODRIGUEZ



THESE DRAWINGS ARE CONCEPTUAL UNTIL CARESTREAM RECEIVES A PURCHASE ORDER. DRAWINGS ARE SUBJECT TO CHANGE UNTIL A POST PURCHASE ORDER ON-SITE KICK OFF MEETING IS HELD BETWEEN A CARESTREAM PROJECT MANAGER AND CUSTOMER CONSTRUCTION TEAM. CARESTREAM PROVIDES THESE DRAWINGS AS A CUSTOMER COURTESY AND ARE NOT TO BE USED AS OFFICIAL ARCHITECTURAL OR CONSTRUCTION DOCUMENTS. CARESTREAM ACCEPTS NO LIABILITY OR IMPLIES ANY WARRANTY FOR THE ACCURACY OF THE SITE WHERE THE EQUIPMENT WILL BE STORED OR USED.

CUSTOMER SIGNATURE:	DRAWN BY:	OBSTARCZYK
	DATE:	01. 14. 2026
DATE:	PROJECT MGR:	HUGHES
	CHECKED BY:	HUGHES
	DATE:	02. 11. 2026

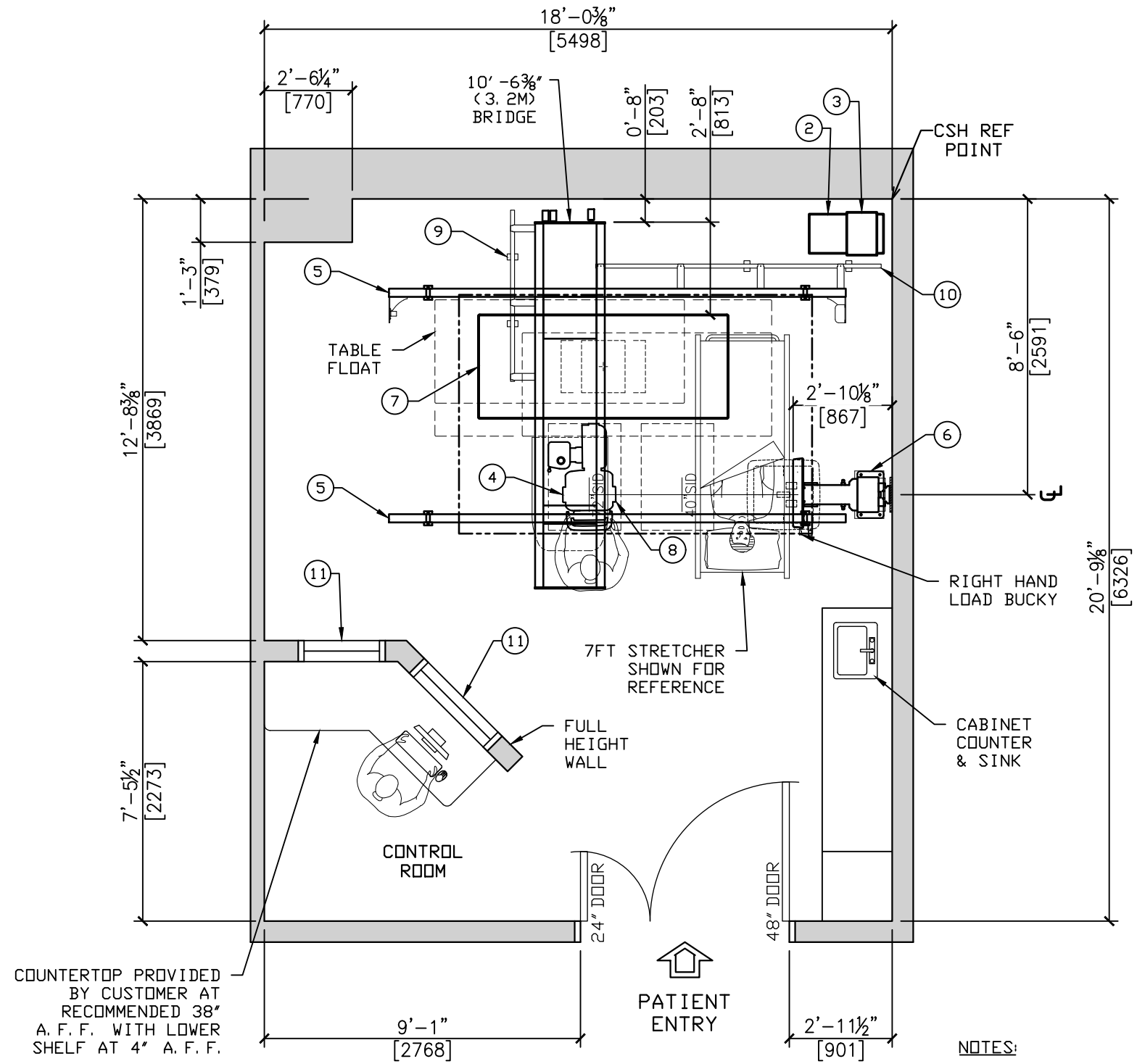
PROJECT:	ORLANDO HEALTH - MELBOURNE FSED	SHT.	C 1
	ROOM XRAY	REV.	F 1
	LAKE ANDREW DRIVE & WILLET PLACE		
	MELBOURNE, FL 32940		

SIZE:	TITLE:	
B	DRX-COMPASS OTC	
SCALE:	SEE DRAWING SCALE	SHEET: 1 OF 7

DOCUMENT SET INDEX:

COVER SHEET.....	C1
EQUIPMENT PLAN.....	A1
ELECTRICAL PLAN.....	E1
ELECTRICAL DETAIL.....	E2
STRUCTURAL UNISTRUT...	S1
STRUCTURAL CEILING....	S2
STRUCTURAL FLOOR.....	S3





EQUIPMENT PLAN

NOTES:
 CROSS TABLE FROM BEHIND IS OBTAINABLE
 72" SID TO FLOOR IS OBTAINABLE

EQUIPMENT LEGEND

ITEM	SUPPLIED/INSTALLED BY CARESTREAM HEALTH	BTU/hr lb	wt lb	W in	L in	H in
①	COMPUTER- HP ENGAGE FLEX PRO WITH HP E230T DISPLAY	--	14.2	13.3	15.1	4
②	CARESTREAM GENERATOR 2.0	1000	111	13.5	25.4	16.9
③	PDU- POWER DISTRIBUTION UNIT	--	--	10.5	14.7	5
④	DTC TUBE/COLLIMATOR ASSY	700	536	--	--	--
⑤	4M LONGITUDINAL RAIL	--	61	--	157.5	--
⑥	WALL STAND MANUAL WITH TILT	70	503	--	--	89
⑦	QT-750 ELEVATING TABLE	400	505	85	34.9	32.5
⑧	DTC BRIDGE 3.2M	--	212	24	126	5.7
⑨	BRIDGE CABLE RAIL	--	--	--	59	--
⑩	LONGITUDINAL CABLE RAIL	--	--	--	98.5	--

NOTE: DTC WEIGHT WITH RAILS IS APPROXIMATELY 992 lbs

ITEM	SUPPLIED/INSTALLED BY CUSTOMER OR CONTRACTOR
⑪	WINDOW - GLASS, LEAD LINED

COMPASS DTC SYS. OPERATING ENVIRONMENT REQUIREMENTS
 AMBIENT TEMPERATURE: +10°C TO +40°C
 RELATIVE HUMIDITY: 30-75%
 ATMOSPHERIC PRESSURE: 700 hPa to 1060 hpa

CEILING HEIGHT RANGE: 8' -10¹/₂' TO 10' -0'
 THIS CEILING HEIGHT RANGE PROVIDES FULL FUNCTIONALITY OF THE CARESTREAM SYSTEM. ANY DEVIATION MUST BE DISCUSSED WITH THE CARESTREAM PROJECT MANAGER.
 EXISTING CEILING HEIGHT: 9' -0'

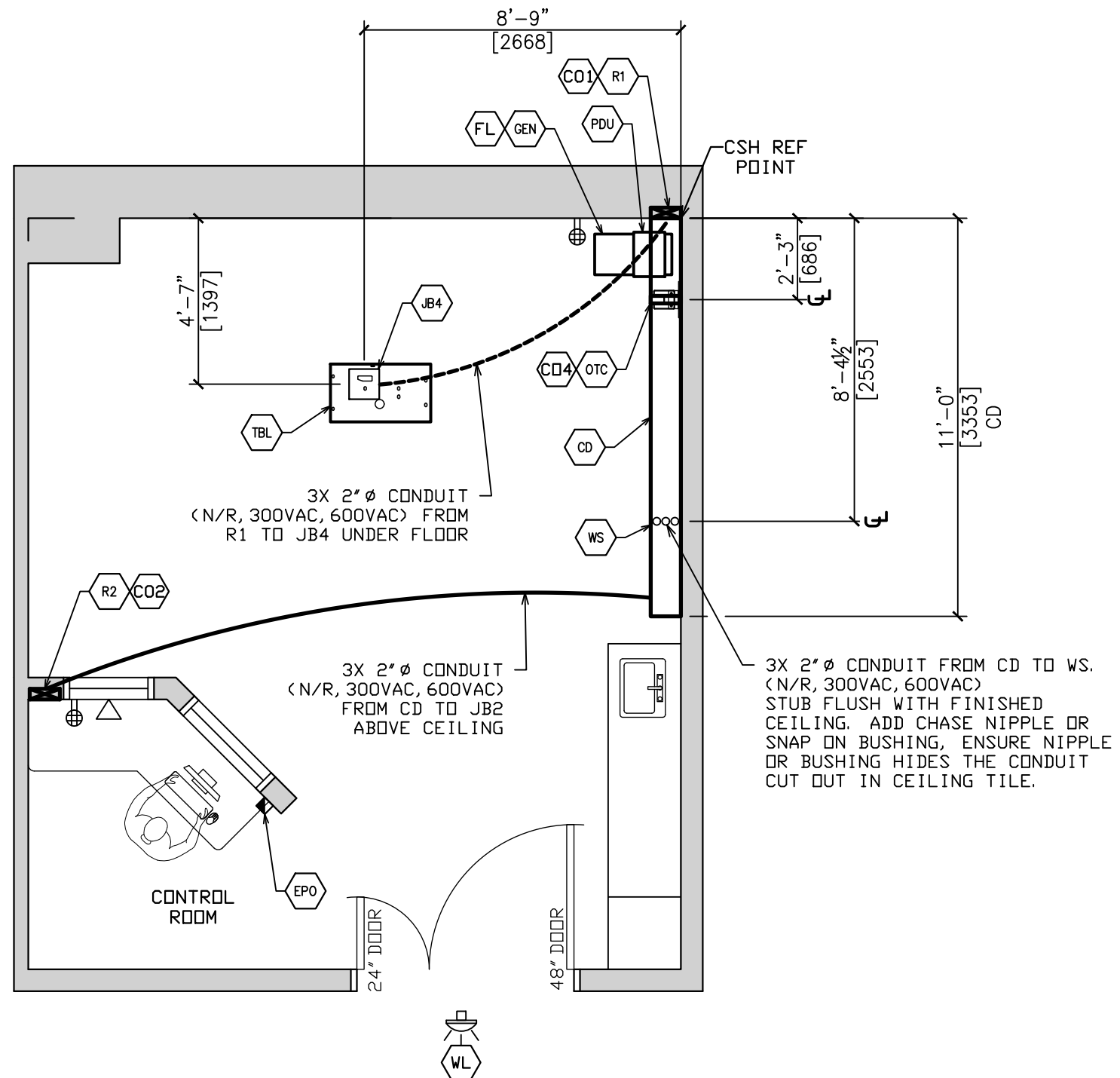
CUSTOMER SIGNATURE:	DRAWN BY: XXXX
	DATE: 01. 14. 2026
	PROJECT MGR: HUGHES
DATE:	CHECKED BY: HUGHES
	DATE: 02. 11. 2026

PROJECT: ORLANDO HEALTH - MELBOURNE FSED ROOM XRAY
 LAKE ANDREW DRIVE & WILLET PLACE MELBOURNE, FL 32940

SHT. A 1
 REV. F 1

SIZE: B	TITLE: DRX-COMPASS DTC
SCALE: SEE DRAWING SCALE	SHEET: 2 OF 7





ELECTRICAL PLAN
 ELECTRICAL INSTALLED BY CUSTOMER

NOTES:
 ALL OUTLETS, WHETHER DUPLEX OR QUAD, SHOWN ON CARESTREAM SITE SPECIFIC DRAWINGS, ARE EXCLUSIVELY FOR CARESTREAM EQUIPMENT. ANY CUSTOMER REQUIRED OUTLETS MUST BE APPROVED SEPARATELY.

ELECTRICAL LEGEND

SYM.	SUPPLIED/INSTALLED BY CUSTOMER/CONTRACTOR UNLESS NOTED
R1	RISER- 10" x 3 1/2" FLUSH MOUNTED WITH REMOVABLE COVERS FROM CD TO FINISHED FLOOR, PROVIDE DIVIDERS PER LOCAL CODE
CD1	CUT OUT- 3" Ø WITH GROMMET IN COVER PLATE OF R1, 18" A. F. F.
R2	RISER- 10" x 3 1/2" FLUSH MOUNTED WITH REMOVABLE COVERS FROM CEILING TO FINISHED FLOOR, PROVIDE DIVIDERS PER LOCAL CODE
CD2	CUT OUT- 2" Ø WITH GROMMET IN COVER PLATE OF R2, 18" A. F. F.
WS	WALL STAND CABLE ENTRY
CD4	CUT OUT- 3" WIDE ACROSS ALL THREE SECTIONS ON BOTTOM OF CD, FOR OTC HOSE CABLES
OTC	OTC CABLE ENTRY
TBL	CARESTREAM TABLE BASE SHOWN FOR REFERENCE
JB4	JUNCTION BOX- 6" x 6" FLUSH MOUNTED IN FLOOR UNDER TABLE
CD	CEILING DUCT- 10" x 3 1/2" ABOVE FINISHED CEILING, WITH REMOVABLE COVERS FACING UP, DIVIDERS PER LOCAL CODE
GEN	GENERATOR- SEE POWER SPECIFICATIONS ON SHEET E2. SUPPLIED/INSTALLED BY CARESTREAM
FL	CUSTOMER PROVIDED 1 1/4" Ø SEAL-TIGHT, INCLUDE FITTINGS FOR MAIN POWER TO CARESTREAM GENERATOR, WIP LENGTH PER LOCAL CODE, INSTALLED BY CUSTOMER ELECTRICIAN, SEE SHEET E2 FOR ELECTRICAL POWER REQUIREMENTS.
PDU	POWER DISTRIBUTION UNIT. SUPPLIED/INSTALLED BY CARESTREAM
WL	WARNING LIGHT- OPTIONAL "X-RAY IN USE" LIGHT PER CODE, CUSTOMER TO PROVIDE FIXTURE AND 24V POWER / CONTACTS TO CSH GENERATOR. SEE SHEET E2 SCHEMATIC DIAGRAM.
EPD	EMERGENCY POWER OFF- OPTIONAL SWITCH TO CUSTOMER SHUNT BREAKER IN MAIN DISCONNECT, EXACT LOCATION PER LOCAL CODE OR BY CUSTOMER
⊕	120 VAC QUAD OUTLET, 14" A. F. F.
△	NETWORK DROP, 14" A. F. F.

NOTE: ALL ELECTRICAL DUCTS AND CONNECTIONS MUST CONFORM TO THE N. E. C. CODES, IN ADDITION TO STATE AND LOCAL REGULATIONS FOR THE COUNTRY OR LOCALITY IN WHICH THE EQUIPMENT IS INSTALLED. SITE IS RESPONSIBLE TO DETERMINE ELECTRICAL DESIGN INCLUDING NUMBER OF DIVIDERS IN CABLE TROUGH PER CODE

CUSTOMER SIGNATURE:	DRAWN BY: XXXX
	DATE: 01. 14. 2026
	PROJECT MGR: HUGHES
DATE:	CHECKED BY: HUGHES
	DATE: 02. 11. 2026
PROJECT:	SHT. E 1
ORLANDO HEALTH - MELBOURNE FSED ROOM XRAY	
LAKE ANDREW DRIVE & WILLET PLACE MELBOURNE, FL 32940	REV. F 1
SIZE: B	TITLE: DRX-COMPASS OTC
SCALE: SEE DRAWING SCALE	SHEET: 3 OF 7



ELECTRICAL POWER REQUIREMENTS

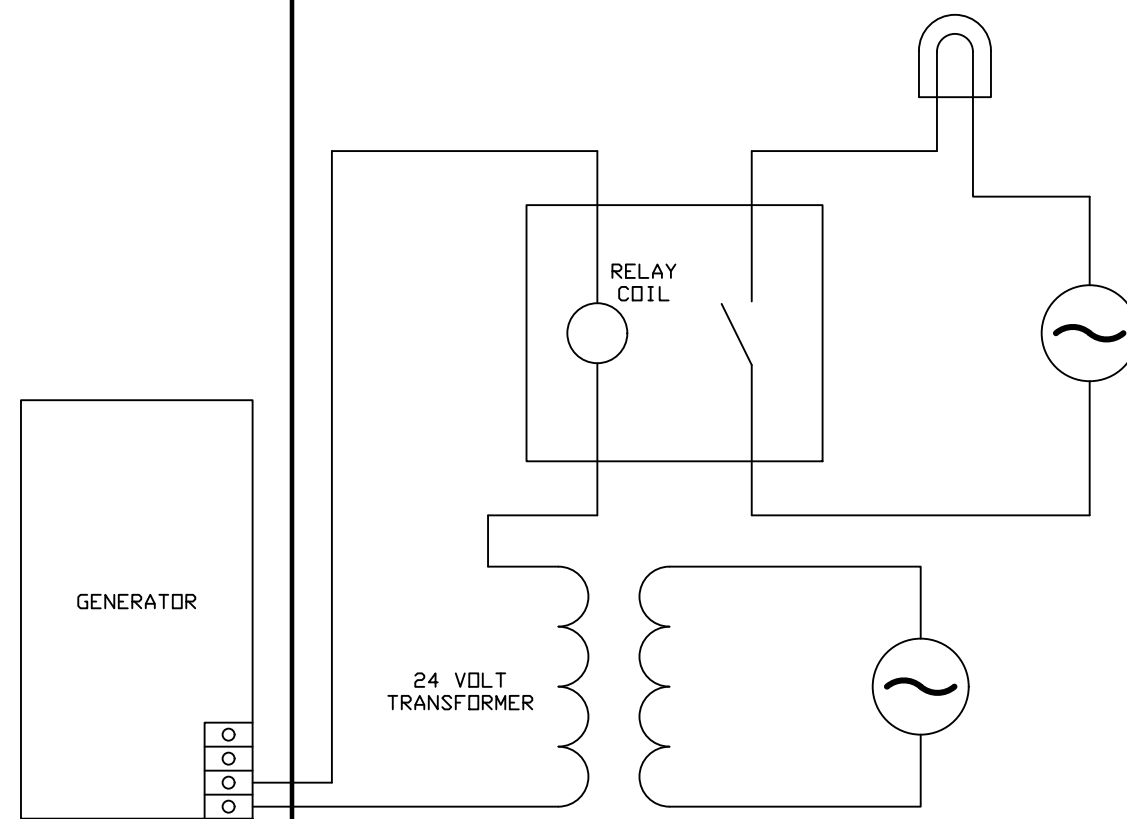
SYM	GENERATOR MODEL NO.	MAX POWER OUTPUT (kwh)	NOMINAL LINE VOLTAGE (vac)	DISCONNECT TO GENERATOR MAX. (awg)	MAIN DISCONNECT (AMPS)	RECOMMENDED DISTRIBUTION TRANSFORMER CAPACITY (kVA)	MAX. INPUT LINE RESISTANCE AT FULL LOAD RMS (ohms)	PHASE
GEN	CGN-80	80	380	#4	100	105	.11	3
	CGN-80	80	400	#4	100	105	.13	3
	CGN-80	80	480	#4	80	105	.17	3

NOTE: ALL INSTALLATIONS MUST MEET THE REQUIREMENTS OF LOCAL ELECTRICAL CODES. THE ABOVE VALUES ARE RECOMMENDED AS TYPICAL (UNLESS OTHERWISE SPECIFIED)

DESCRIPTION: SUPPLIED AND INSTALLED BY CUSTOMERS CONTRACTOR

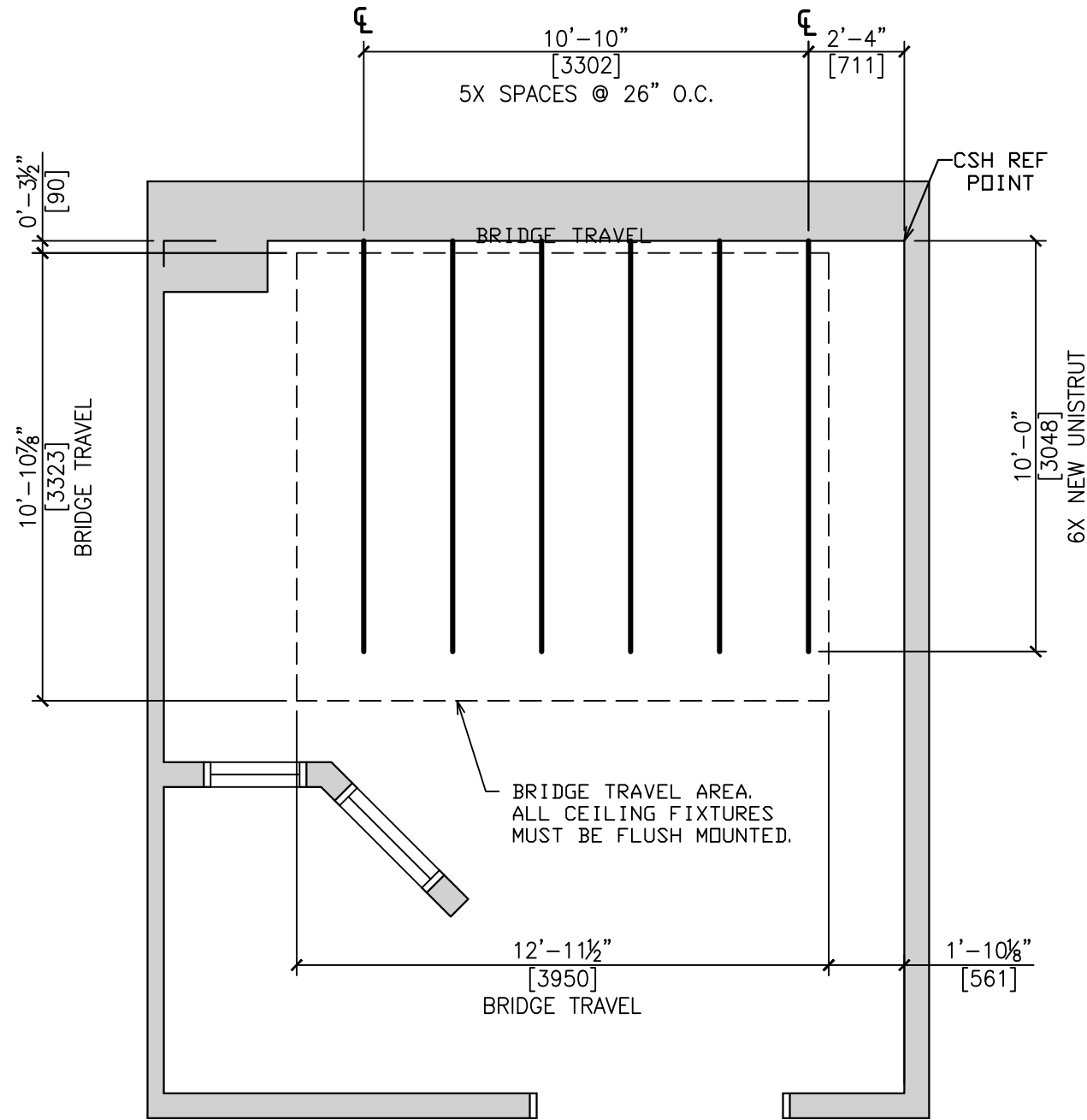
1. ALL WIRING AND GROUNDING MUST BE IN ACCORDANCE WITH NATIONAL ELECTRIC CODE OR LOCAL ELECTRICAL CODES
2. INPUT VOLTAGE: 380-480 (±10%) VAC 50/60 Hz, 3 PHASE WYE
3. LINE REGULATION: 5% AT FULL LOAD

WARNING LIGHT "X-RAY IN USE" WIRING DIAGRAM
 SUPPLIED AND INSTALLED BY CUSTOMER - CONNECTED BY CSH TO GENERATOR:



CUSTOMER SIGNATURE:	DRAWN BY: XXXX
	DATE: 01.14.2026
	PROJECT MGR: HUGHES
DATE:	CHECKED BY: HUGHES
	DATE: 02.11.2026
PROJECT: ORLANDO HEALTH - MELBOURNE FSED ROOM XRAY	
LAKE ANDREW DRIVE & WILLET PLACE MELBOURNE, FL 32940	
SIZE: B	TITLE: DRX-COMPASS OTC
SCALE: SEE DRAWING SCALE	SHEET: 4 OF 7

Facility Name: Orlando Health Melbourne Hospital
 Project Name: Freestanding ER - Viera
 OPC Project #: 23/23960034-19987



UNISTRUT PLAN
 UNISTRUT INSTALLED BY CUSTOMER
 (FOR CEILING RESTRICTED AREAS SEE SHEET S2)

STRUCTURAL LEGEND

ITEM	COMPONENT DESCRIPTION; SUPPLIED AND INSTALLED BY CUSTOMER/CONTRACTOR
—	NEW UNISTRUT; FLUSH MOUNTED WITH FINISHED CEILING. UNISTRUT P1000 SERIES OR EQUIVALENT REQUIRED.

GENERAL NOTES

1. REGULAR CEILING TILES MUST BE FLUSH WITH UNDERSIDE OF UNISTRUT.

STRUCTURAL NOTES

1. THE FACILITY STRUCTURE SUPPORTING ALL EQUIPMENT LOADS MUST BE VERIFIED BY THE CUSTOMERS STRUCTURAL ENGINEER OF RECORD. THIS INCLUDES LOADS FOR WALL, CEILING, AND FLOOR.
2. THE SUPPORT STRUCTURE MUST BE LEVEL WITHIN 1.000MM (0.039IN.) OVER THE LENGTH OF THE LONGITUDINAL RAIL.
3. THE SUPPORT STRUCTURE MUST BE PLANAR TO WITHIN 1.000MM (0.039IN.).
5. THE WEIGHT OF THE DTC WITH RAILS IS APPROXIMATELY 450KG (992 LB).
6. THE MAXIMUM LOAD TO ANY ONE FIXED POINT, WORST CASE, IS 197.5KG. (435.4LBS).
7. THE MAXIMUM DEFLECTION OF THE COMPLETE STRUCTURE IS 1.5MM (0.06IN).

CUSTOMER SIGNATURE:	DRAWN BY: XXXX
	DATE: 01. 14. 2026
	PROJECT MGR: HUGHES
DATE:	CHECKED BY: HUGHES
	DATE: 02. 11. 2026


PROJECT:	ORLANDO HEALTH - MELBOURNE FSED	SHT. S 1
	ROOM XRAY	
	LAKE ANDREW DRIVE & WILLET PLACE	REV. F 1
	MELBOURNE, FL 32940	

SIZE: B	TITLE: DRX-COMPASS DTC
SCALE: SEE DRAWING SCALE	SHEET: 5 OF 7



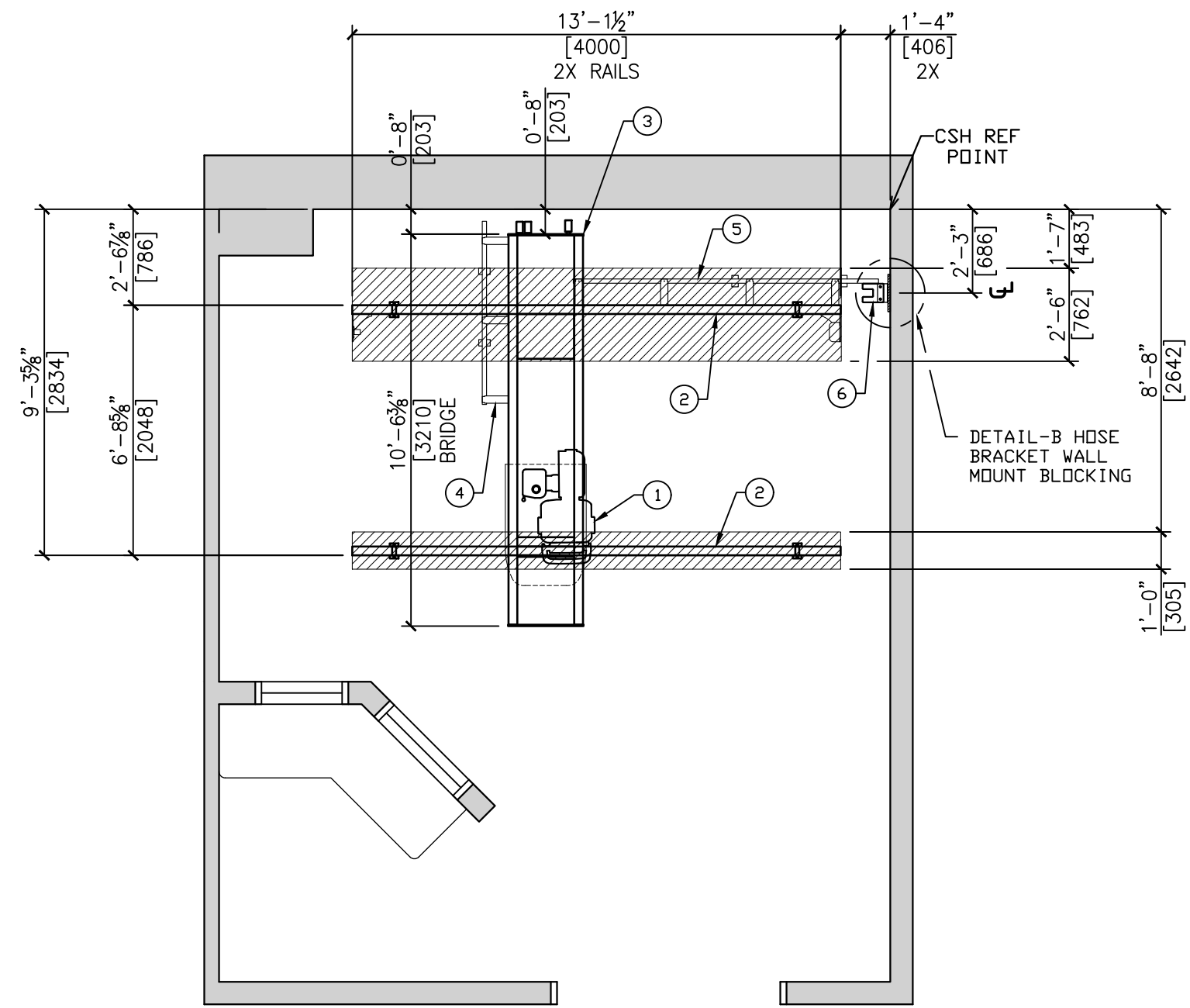
STRUCTURAL LEGEND

ITEM	SUPPLIED/INSTALLED BY CARESTREAM HEALTH INC.
①	COMPASS OTC TUBE
②	OTC CEILING RAIL
③	OTC BRIDGE
④	BRIDGE CABLE RAIL
⑤	LONGITUDINAL CABLE RAIL
⑥	OTC HOSE BRACKET
⑦	WALL STAND CEILING BRACKET

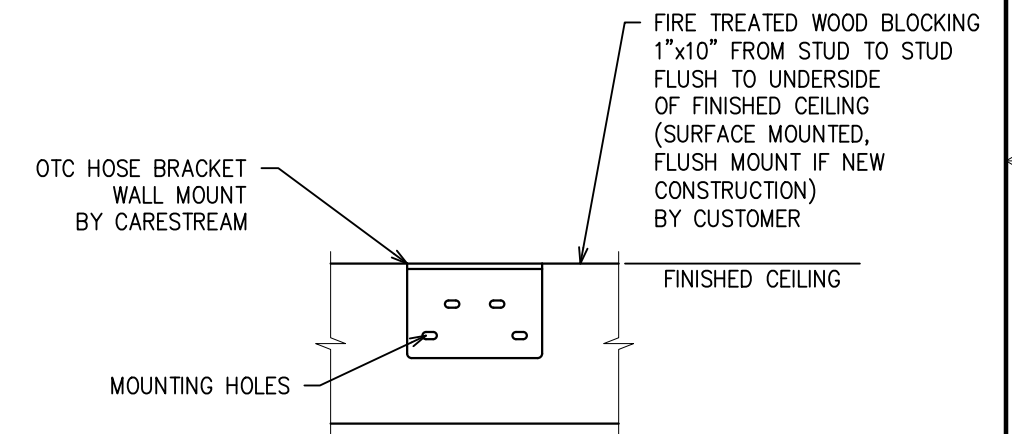
 RESTRICTED CEILING AREA FOR CARESTREAM EQUIPMENT. NO CEILING MOUNTED FIXTURES, INCLUDING HVAC, LIGHTING AND SPRINKLERS.

GENERAL NOTES

- REFLECTED CEILING PLAN REFERENCES LOCATION OF THE CARESTREAM CEILING MOUNTED EQUIPMENT NOT TO INTERFERE WITH LIGHTS, DIFFUSERS AND SPRINKLER HEADS.



CEILING PLAN
 EQUIPMENT INSTALLED BY CSH

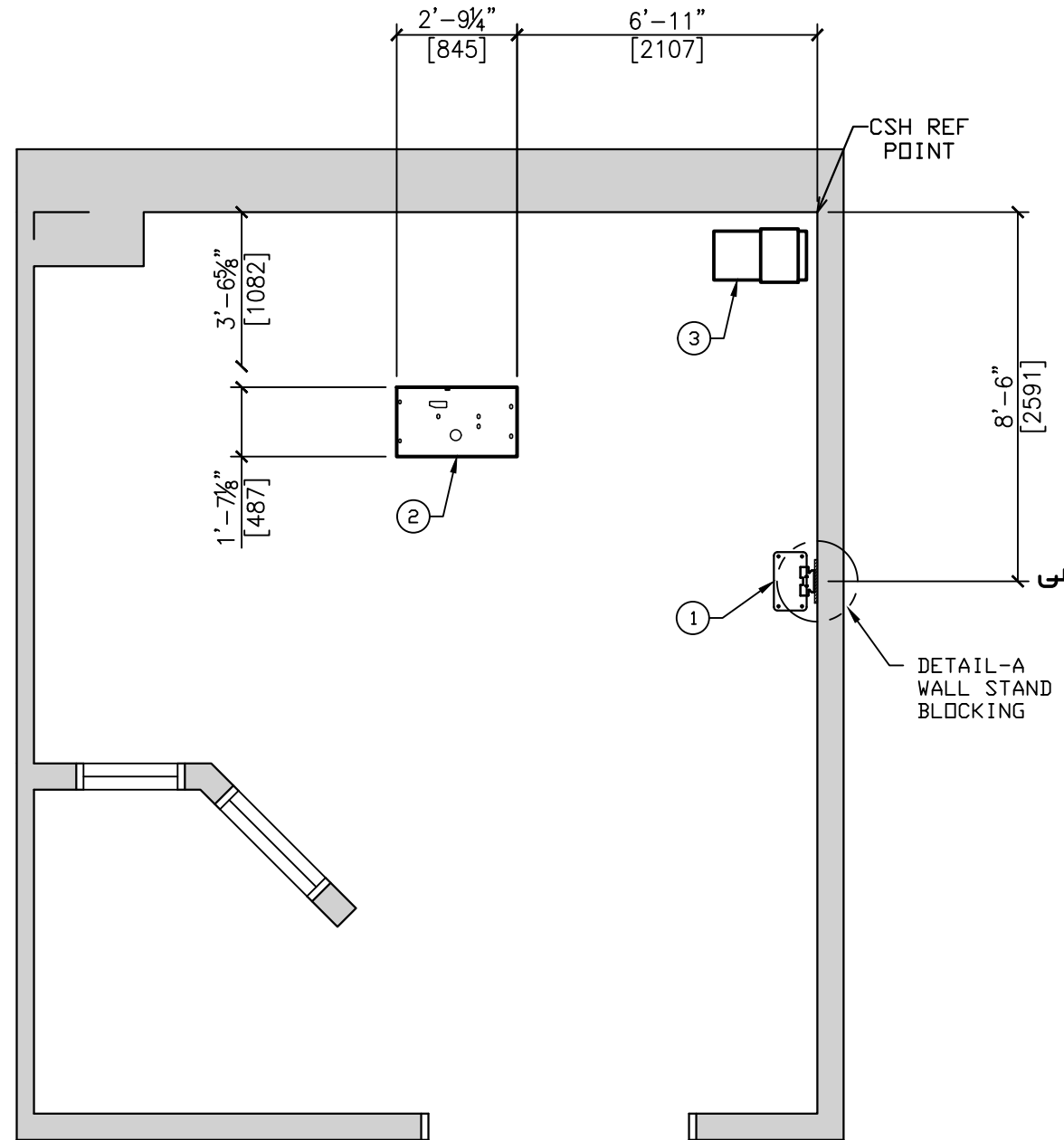


DETAIL-B
 HOSE BRACKET WALL MOUNT WOOD BLOCKING
 NO SCALE

CUSTOMER SIGNATURE:	DRAWN BY: XXXX
	DATE: 01. 14. 2026
	PROJECT MGR: HUGHES
DATE:	CHECKED BY: HUGHES
	DATE: 02. 11. 2026
PROJECT:	ORLANDO HEALTH - MELBOURNE FSED ROOM XRAY
	LAKE ANDREW DRIVE & WILLET PLACE MELBOURNE, FL 32940
SIZE: B	TITLE: DRX-COMPASS OTC
SCALE: SEE DRAWING SCALE	SHEET: 6 OF 7



Facility Name: Orlando Health Melbourne Hospital
 Project Name: Freestanding ER - Viera
 OPC Project #: 23/23960034-19987



FLOOR PLAN
 EQUIPMENT INSTALLED BY CSH

CRITICAL TO FUNCTION FOR ITEM 2

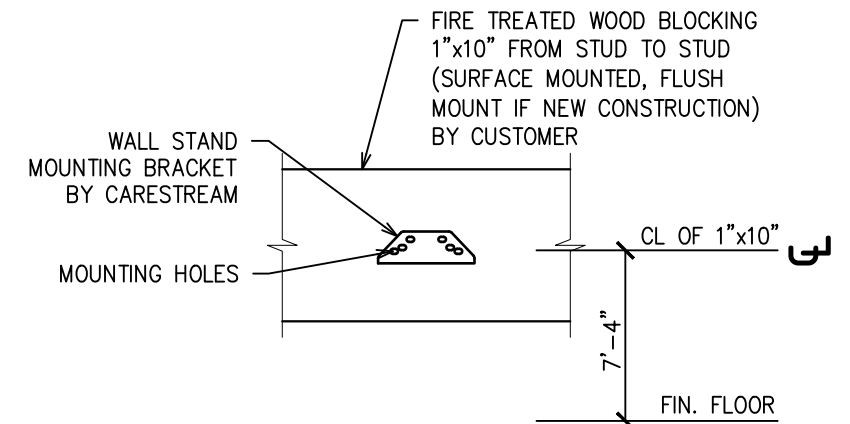
FLOOR UNDER TABLE BASE PLATE TO BE
 FLAT AND LEVEL WITH A TOTAL
 TOLERANCE OF 1/8"

STRUCTURAL LEGEND

ITEM	COMPONENT DESCRIPTION: SUPPLIED AND INSTALLED BY CARESTREAM HEALTH INC.
①	WALL STAND BASE PLATE
②	TABLE BASE PLATE
③	GENERATOR AND PDU

GENERAL NOTES

- FOR WALL STAND BASE PLATE AND TABLE BASE PLATE ANCHORS REFER TO EQUIPMENT SPECIFICATIONS AK0249.



DETAIL-A
 WALL STAND WOOD BLOCKING
 NO SCALE

CUSTOMER SIGNATURE:	DRAWN BY: XXXX
	DATE: 01. 14. 2026
	PROJECT MGR: HUGHES
DATE:	CHECKED BY: HUGHES
	DATE: 02. 11. 2026

PROJECT:	ORLANDO HEALTH - MELBOURNE FSED	SHT. S3
	ROOM XRAY	
	LAKE ANDREW DRIVE & WILLET PLACE	REV. F1
	MELBOURNE, FL 32940	

SIZE: B	TITLE: DRX-COMPASS OTC
SCALE: SEE DRAWING SCALE	SHEET: 7 OF 7

