



MIAMI-DADE COUNTY
PRODUCT CONTROL SECTION
11805 SW 26 Street, Room 208
Miami, Florida 33175-2474
T (786) 315-2590 F (786) 315-2599
www.miamidade.gov/economy

DEPARTMENT OF REGULATORY AND ECONOMIC RESOURCES (RER)
BOARD AND CODE ADMINISTRATION DIVISION
NOTICE OF ACCEPTANCE (NOA)

Allegion Access Technologies, LLC
65 Scott Swamp Road
Farmington, CT 06032

SCOPE:

This NOA is being issued under the applicable rules and regulations governing the use of construction materials. The documentation submitted has been reviewed and accepted by Miami-Dade County RER -Product Control Section to be used in Miami Dade County and other areas where allowed by the Authority Having Jurisdiction (AHJ).

This NOA shall not be valid after the expiration date stated below. The Miami-Dade County Product Control Section (In Miami Dade County) and/or the AHJ (in areas other than Miami Dade County) reserve the right to have this product or material tested for quality assurance purposes. If this product or material fails to perform in the accepted manner, the manufacturer will incur the expense of such testing and the AHJ may immediately revoke, modify, or suspend the use of such product or material within their jurisdiction. RER reserves the right to revoke this acceptance, if it is determined by Miami-Dade County Product Control Section that this product or material fails to meet the requirements of the applicable building code.

This product is approved as described herein and has been designed to comply with the Florida Building Code, including the High Velocity Hurricane Zone.

DESCRIPTION: Series "Dura Storm-3000" Aluminum Automatic Sliding Glass Door: So-Sx-Sx-So w/Full Breakout-LMI

APPROVAL DOCUMENT: Drawing No. **23-67901** (former **20-33199**), titled "Dura-Storm 3000 Bi-parting Automatic sliding-LMI (Missile E)", sheets 1 through 9 of 9, dated January 09, 2024, prepared by Engineering Express, signed and sealed by Frank L. Bennardo, P.E., bearing the Miami-Dade County Product Control Revision stamp with the Notice of Acceptance number and expiration date by the Miami-Dade County Product Control Section.

MISSILE IMPACT RATING: Large and Small Missile Impact

LIMITATIONS:

1. See sheet **2** for Design Pressure rating. See sheets **3, 4 & 5** for wood, concrete and steel substrates installation.
2. The Adams Rite (2)-point G-86 panic devices that was successfully **as** tested is integral part of the approval.
3. Not approved where water infiltration is required.
3. Glass to be divided w/ Horizontal muntin bars (detail V, sheet **6**) & DLO height not to exceed 36" max (sheet **6**).
4. Electrical devices, functions and installation are not part of this approval and to be reviewed and approved by Authority Having Jurisdiction (AHJ).

LABELING: Each unit shall bear a permanent label with the manufacturer's name or logo, city, state and series and following statement: "Miami-Dade County Product Control Approved", noted herein.

RENEWAL of this NOA shall be considered after a renewal application has been filed and there has been no change in the applicable building code negatively affecting the performance of this product.

TERMINATION of this NOA will occur after the expiration date or if there has been a revision or change in the materials, use, and/or manufacture of the product or process. Misuse of this NOA as an endorsement of any product, for sales, advertising or any other purposes shall automatically terminate this NOA. Failure to comply with any section of this NOA shall be cause for termination and removal of NOA.

ADVERTISEMENT: The NOA number preceded by the words Miami-Dade County, Florida, and followed by the expiration date may be displayed in advertising literature. If any portion of the NOA is displayed, then it shall be done in its entirety.

INSPECTION: A copy of this entire NOA shall be provided to the user by the manufacturer or its distributors and shall be available for inspection at the job site at the request of the Building Official.

This NOA **revises & renews #20-1216.24** (former **Stanley Access Technologies, LLC**), consists of this page 1 & evidence pages E1, E-2 and E-3, as well as approval document mentioned above. The submitted documentation was reviewed by **Ishaq I. Chanda, P.E.**



NOA No. 23-1127.01
Expiration Date: September 27, 2028
Approval Date: February 08, 2024
Page 1 of 2

NOTICE OF ACCEPTANCE: EVIDENCE SUBMITTED

1. Evidence submitted in previous file

A. DRAWINGS

1. Manufacturer's die drawings and sections.
2. Drawing No. **17-4571**, titled "Dura-Storm 3000 Bi-parting Automatic sliding-LMI (Missile E)", sheets 1 through 9 of 9, dated 09/27/18 prepared by Engineering Express, signed and sealed by Frank L. Bennardo, P.E.

B. TESTS

1. Test reports on 1) Air Infiltration Test, per FBC, TAS 202-94 (0.34 cfm/sq.ft.@6.24 psf)
2) Uniform Static Air Pressure Test, Loading per FBC TAS 202-94
3) Water Resistance Test, per FBC, TAS 202-94 (Not conducted)
4) Large Missile Impact Test per FBC, TAS 201-94 (Risk category IV).
5) Cyclic Wind Pressure Loading per FBC, TAS 203-94
6) Forced Entry Test, per FBC 2411 3.2.1, TAS 202-94 (FTL-6803)

Along with installation diagram of aluminum automatic entrance doors (So-Sx-Sx-So), prepared by Fenestration Testing Laboratory, Inc. Test Report No. **FTL-9322**, dated 12/15/17 and last revised on 06-05-18, signed and sealed by Idalmis Ortega, P. E.

Note: This test report has been revised by an addendum letter, issued by Fenestration Testing Lab, signed and sealed by Idalmis Ortega, P. E on 06/05/18.

C. CALCULATIONS

1. Anchor verification calculations and structural analysis, complying with FBC-2017 (6th Edition), prepared by Engineering Express, dated 08-14-17, signed and sealed by Frank L. Bennardo, P.E.
2. Glazing complies w/ ASTM E-1300-02, -4 & -09.

D. QUALITY ASSURANCE

1. Miami Dade Department of Regulatory and Economic Resources (RER).

E. MATERIAL CERTIFICATIONS

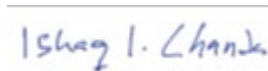
1. Notice of Acceptance No. **17-1026.02** issued to SAF-GLAS, L.L.C. for "SAF GLAS, Polycarbonate laminate", expiring on 12/16/22.

F. STATEMENTS

1. Statement letter of conformance and letter of no financial interest, prepared by Engineering Express, dated 08-14-17, signed and sealed by Frank L. Bennardo, P.E.
2. Statement letter dated DEC 01, 2017, issued by William Rodriguez Inc., to Fenestration Testing Lab, referenced to loss and damage to stored data, video, PDF and zip files, signed by Bill Rodriguez, IT professional.
3. Lab compliance as part of the above referenced test report.

G. OTHER

1. Impact pictures evidence provided by manufacturer.
2. AR G-86 Panic Rod modified end mount dated 09/24/2018, verified and stamped by FTL.
3. RER e-mails dated SEP 18, 2018 & SEP 20, 2018, referenced to future verification test.



Ishaq I. Chanda, P.E.
Product Control Unit Supervisor
NOA No. 23-1127.01
Expiration Date: September 27, 2028
Approval Date: February 08, 2024

NOTICE OF ACCEPTANCE: EVIDENCE SUBMITTED

2. Evidence submitted under previous approval

A. DRAWINGS

1. Drawing No. **20-33199** (former **17-4571**), titled “Dura-Storm 3000 Bi-parting Automatic sliding-LMI (Missile E)”, sheets 1 through 9 of 9, dated 09/27/18 and last revised on 11/24/2020, prepared by Engineering Express, signed and sealed by Frank L. Bennardo, P.E.

B. TESTS

1. None.

C. CALCULATIONS

1. None.

D. QUALITY ASSURANCE

1. Miami Dade Department of Regulatory and Economic Resources (RER).

E. MATERIAL CERTIFICATIONS

1. Notice of Acceptance No. **17-1026.02** issued to SAF-GLAS, L.L.C. for “**SAF GLAS, Polycarbonate laminate**”, expiring on 12/16/22.

F. STATEMENTS

1. Statement letter of conformance to FBC 2020 (7th Edition), prepared by Engineering Express, dated 11/25/20, signed and sealed by Frank L. Bennardo, P.E.
2. Statement letter dated 11/25/20 referenced to general updated code note change only, prepared by Engineering Express, dated 11/25/20, signed and sealed by Frank L. Bennardo, P.E
3. Statement letter dated DEC 01, 2017, issued by William Rodriguez Inc., to Fenestration Testing Lab, referenced to loss and damage to stored data, video, PDF and zip files, signed by Bill Rodriguez, IT professional. (submitted under **#17-0821.16**)
4. Lab compliance as part of the above-referenced test report.

G. OTHER (items # 2 thru 4, submitted under *#17-0821.16*)

1. This NOA **revises #17-0821.16**, expiring 09/27/24.
2. Impact pictures evidence provided by manufacturer.
3. AR G-86 Panic Rod modified end mount dated 09/24/2018, verified and stamped by FTL.
4. RER e-mails dated SEP 18, 2018 & SEP 20, 2018, referenced to future.

Ishaq I. Chanda

Ishaq I. Chanda, P.E.
Product Control Unit Supervisor
NOA No. 23-1127.01
Expiration Date: September 27, 2028
Approval Date: February 08, 2024

NOTICE OF ACCEPTANCE: EVIDENCE SUBMITTED

3. New Evidence submitted

A. DRAWINGS

1. Drawing No. **23-67901** (former **20-33199**), titled “Dura-Storm 3000 Bi-parting Automatic sliding-LMI (Missile E)”, sheets 1 through 9 of 9, dated January 09, 2024, prepared by Engineering Express, signed and sealed by Frank L. Bennardo, P.E.

B. TESTS

1. None.

C. CALCULATIONS

1. None.

D. QUALITY ASSURANCE

1. Miami Dade Department of Regulatory and Economic Resources (RER).

E. MATERIAL CERTIFICATIONS

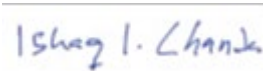
1. Notice of Acceptance No. **23-0726.15** issued to SAF-GLAS, L.L.C. for “**SAF GLAS, Polycarbonate laminated interlayer**”, expiring on 12/16/27.

F. STATEMENTS (item #2-4, submitted under # 22-1207.02 thru 22#1207.04)

1. Statement letter of conformance to FBC 2023 (8th Edition), prepared by Engineering Express, dated November 14, 2023, signed and sealed by Frank L. Bennardo, P.E.
2. Statement letter of conformance to FBC 2020 (7th Edition), prepared by Engineering Express, dated FEB 10, 2023, signed and sealed by Frank L. Bennardo, P.E.
3. Certificate of Amendment issued by State of Delaware dated September 01, 2022, **Stanley Access Technologies, LLC**, changed its name to **Allegion Access Technologies, LLC** signed by Jeffery W. Bullocks, Secretary of State, State of Delaware.
4. Certificate of Formation, issued by State of Delaware, dated September 01, 2022, amended **Stanley Access Technologies, LLC**, to **Allegion Access Technologies, LLC**, signed by Jeffrey W. Bullock, Secretary of State, State of Delaware.

G. OTHER

1. This NOA revises & renews #**20-1216.24** (former **Stanley Access Technologies, LLC**), expiring 09/27/28.



Ishaq I. Chanda, P.E.
Product Control Unit Supervisor
NOA No. 23-1127.01
Expiration Date: September 27, 2028
Approval Date: February 08, 2024

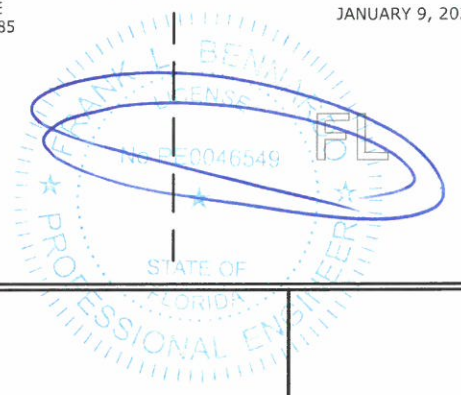
ALLEGION ACCESS TECHNOLOGIES, LLC

DURA-STORM SERIES 3000
LARGE MISSILE IMPACT (LEVEL E)
HVHZ

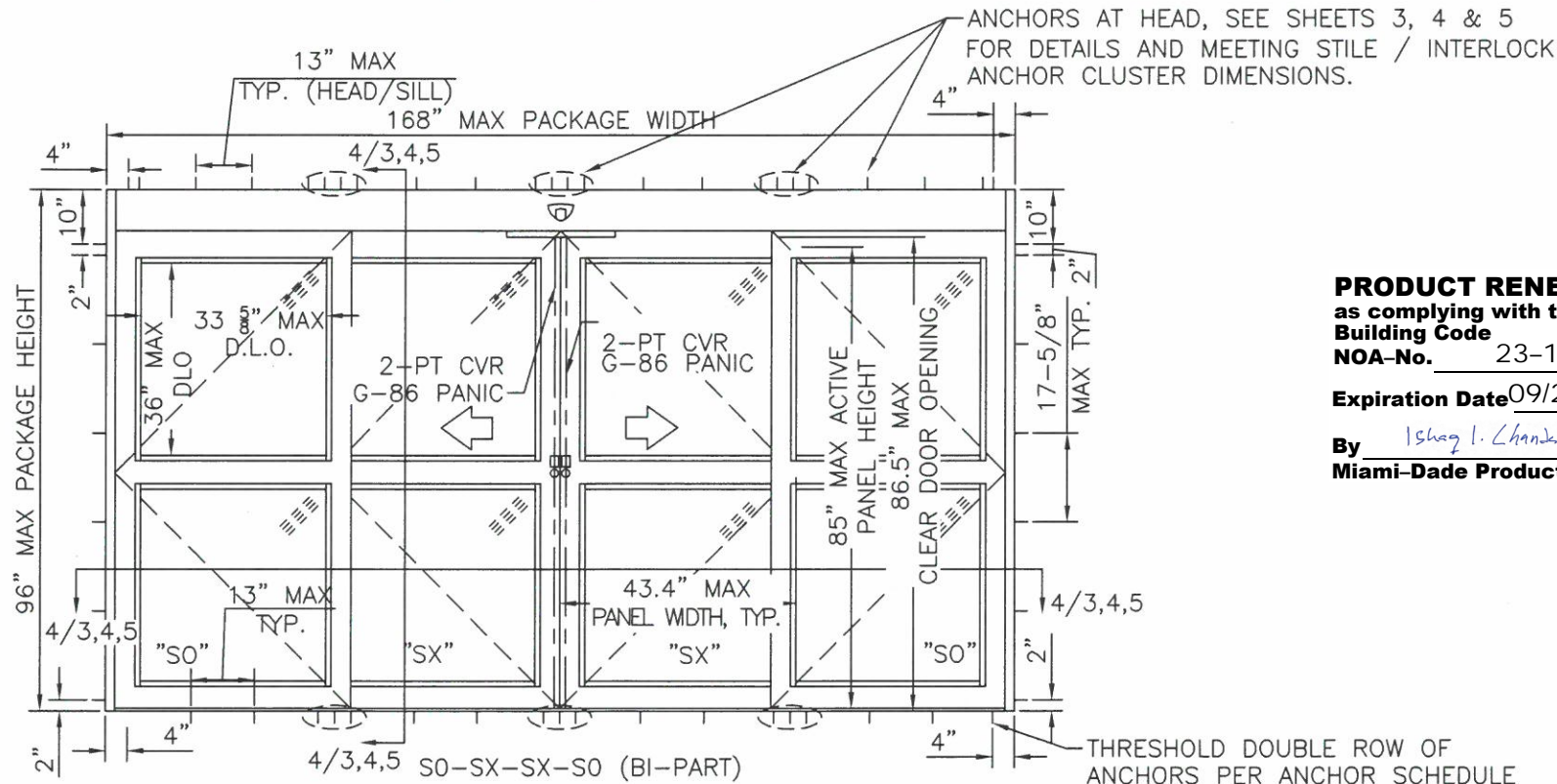
NON-SITE-SPECIFIC STRUCTURAL PERFORMANCE EVALUATION. A DESIGN PROFESSIONAL SHALL BE RESPONSIBLE FOR CERTIFYING THE APPLICATION OF THIS INFORMATION TO ANY SITE-SPECIFIC LOCATION.

FRANK BENNARDO, PE
PE# 0046549 CA# 9885

JANUARY 9, 2024



DURA-STORM SERIES 3000 TYPICAL ELEVATION



PRODUCT RENEWED
as complying with the Florida
Building Code

NOA-No. 23-1127.01

Expiration Date 09/27/2028

By Ishay I. Chandra
Miami-Dade Product Control

GENERAL NOTES:

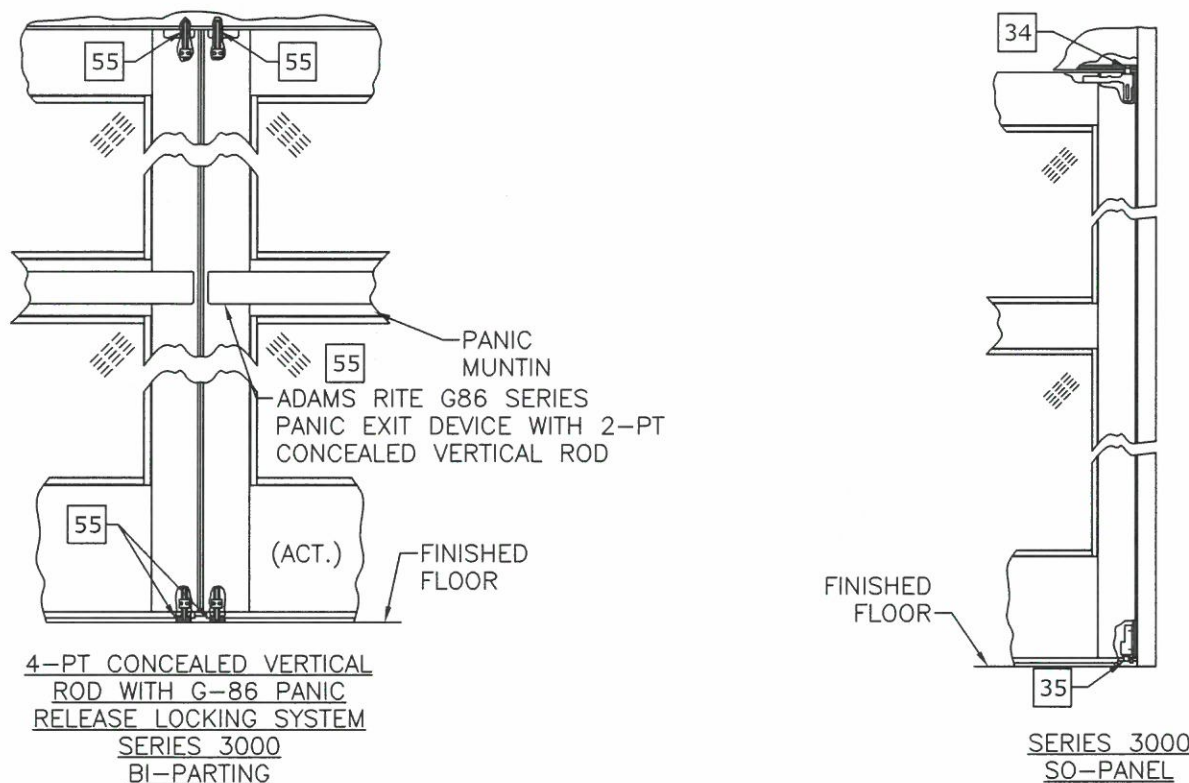
- DOORS HAVE BEEN TESTED & DESIGNED IN ACCORDANCE WITH THE REQUIREMENTS OF THE FLORIDA BUILDING CODE 8TH EDITION (2023) HIGH VELOCITY HURRICANE ZONE (HVHZ) AND MIAMI-DADE COUNTY PROTOCOLS TAS 201 FOR LARGE MISSILE IMPACT, TAS 202 FOR UNIFORM STATIC AIR PRESSURE AND TAS 203 FOR CYCLIC WIND LOADING.
- DESIGN PRESSURES NOTED HEREIN ARE BASED ON MAXIMUM TESTED PRESSURES DIVIDED BY 1.5 SAFETY FACTOR
- WIND LOAD DURATION FACTOR Cd = 1.6 HAS BEEN USED FOR WOOD ANCHOR DESIGN.
- THE ARCHITECT/ENGINEER OF RECORD FOR THE PROJECT SUPERSTRUCTURE WITH WHICH THIS DESIGN IS USED SHALL BE RESPONSIBLE FOR THE INTEGRITY OF ALL SUPPORTING SURFACES TO THIS DESIGN WHICH SHALL BE COORDINATED BY THE PERMITTING CONTRACTOR. WOOD BUCKS (BY OTHERS) SHALL BE ANCHORED PROPERLY TO TRANSFER LOADS TO EXISTING STRUCTURE
- THE SYSTEM DETAILED HEREIN IS GENERIC AND DOES NOT PROVIDE INFORMATION FOR A SPECIFIC SITE. FOR SITE CONDITIONS DIFFERENT FROM THE CONDITIONS DETAILED HEREIN, A LICENSED ENGINEER OR REGISTERED ARCHITECT SHALL PREPARE SITE SPECIFIC DOCUMENTS FOR USE IN CONJUNCTION WITH THIS DOCUMENT.
- THE CONTRACTOR IS RESPONSIBLE TO INSULATE ALL MEMBERS FROM DISSIMILAR MATERIALS TO PREVENT ELECTROLYSIS.
- FASTENERS SHALL BE CADMIUM-PLATED OR OTHERWISE CORROSION-RESISTANT MATERIAL AND SHALL COMPLY WITH "SPECIFICATIONS FOR ALUMINUM STRUCTURES" SECTION J.3.7.2 BY THE ALUMINUM ASSOCIATION INC. AND ANY APPLICABLE FEDERAL, STATE AND OR LOCAL CODES.
- REFER TO FASTENER MANUFACTURER'S PUBLISHED DATA SHEETS AND RECOMMENDATIONS FOR FASTENER INSTALLATION INSTRUCTIONS.
- ENGINEER SEAL AFFIXED HERETO VALIDATE STRUCTURAL DESIGN AS SHOWN ONLY. USE OF THIS SPECIFICATION BY CONTRACTOR, et. al. INDEMNIFIES & SAVES HARMLESS THIS ENGINEER FOR ALL COST & DAMAGES INCLUDING LEGAL FEES & APPELLATE FEES RESULTING FROM MATERIAL FABRICATION, SYSTEM ERECTION, & CONSTRUCTION PRACTICES BEYOND THAT WHICH IS CALLED FOR BY LOCAL, STATE & FEDERAL CODES & FROM DEVIATIONS OF THIS PLAN.
- EXCEPT AS EXPRESSLY PROVIDED HEREIN, NO ADDITIONAL CERTIFICATIONS OR AFFIRMATIONS ARE INTENDED.
- PRESSURE VALUES ON THIS APPROVAL ARE (ASD) ALLOWABLE DESIGN PRESSURES.
- ALTERATIONS ADDITIONS OR OTHER MARKINGS TO THIS DOCUMENT ARE NOT PERMITTED AND INVALIDATE THIS CERTIFICATION.
- SAFEGUARDS MUST BE OBSERVED (NOT IN THIS CERTIFICATION).
- UNITS SHALL BE LABELED IN ACCORDANCE WITH THE FLORIDA BUILDING COMMISSION AND THE FLORIDA DEPARTMENT OF BUSINESS & PROFESSIONAL REGULATION SPECIFICATION.
- THE SYSTEM DETAILED HEREIN IS GENERIC AND DOES NOT PROVIDE INFORMATION FOR A SPECIFIC SITE. FOR SITE CONDITIONS DIFFERENT FROM THE CONDITIONS DETAILED HEREIN, A LICENSED ENGINEER OR REGISTERED ARCHITECT SHALL PREPARE SITE SPECIFIC DOCUMENTS FOR USE IN CONJUNCTION WITH THIS DOCUMENT FOR INSTALLATIONS OUTSIDE THE HVHZ; WITHIN THE HVHZ, A ONE-TIME APPROVAL FROM MIAMI-DADE COUNTY SHALL BE OBTAINED.
- ALL BOLTS AND WASHERS SHALL BE ZINC COATED, GALVANIZED, OR STAINLESS STEEL WITH A MINIMUM TENSILE STRENGTH OF 60 KSI, EXCEPT INSTALLATION ANCHORS.
- ALL SINGLE SLIDE ENTRANCES ARE SHOWN "RIGHT HAND"; "LEFT HAND" IS MIRROR IMAGE.

SYSTEM NOTES:

- ALL ALUMINUM PARTS SHALL BE 6063-T6 ALUMINUM ALLOY AND TEMPER, UNLESS OTHERWISE NOTED.
- GLAZING 5/8" ANNEALED LAMINATED, IMPACT RATED (SEE GLAZING DETAIL SHEET 7)
- CORNER PANEL CONSTRUCTION: PANEL CORNERS ARE BUTT JOINED, SECURED WITH FOUR (4) FULL WIDTH 5/16" THREADED TIE RODS AT TOP RAIL, INTERMEDIATE HORIZONTAL MUNTIN BAR, AND BOTTOM RAIL. ALL JOINTS ARE WELDED.
- THE GLAZING MATERIAL IN BOTH FIXED AND SLIDING PANELS OF ALL SLIDING DOORS MUST COMPLY WITH THE REQUIREMENTS IN THE PERFORMANCE SPECIFICATIONS AND METHODS OF TEST FOR SAFETY GLAZING MATERIALS USED IN BUILDINGS, PER FBC REQUIREMENTS.
- THIS SYSTEM HAS NOT BEEN TESTED PER ANSI Z97.1

DURA-STORM 3000 TYPICAL ELEVATIONS

DURA-STORM SERIES 3000 LOCKING ARRANGEMENTS



4-PT CONCEALED VERTICAL
ROD WITH G-86 PANIC
RELEASE LOCKING SYSTEM
SERIES 3000
BI-PARTING

SERIES 3000
SO-PANEL

ENGINEERING EXPRESS
POSTAL ADDRESS:
2234 NORTH FEDERAL HWY #7664
BOCA RATON, FL 33431
ENGINEERINGEXPRESS.COM

ALLEGION ACCESS
TECHNOLOGIES, LLC
65 SCOTT SWAMP RD.
FARMINGTON, CT 06032
SAT SERIES "DURA-SOTRM 3000" AUTO SGD
BI-PARTING SGD LMI (MISSILE LEVEL E)
MIAMI-DADE NOTICE OF ACCEPTANCE

REMARKS	DATE
INIT ISSUE	11/13/23
DRWN	
CHKD	
RS	
SQ	

COPYRIGHT ENGINEERING EXPRESS®

23-67901

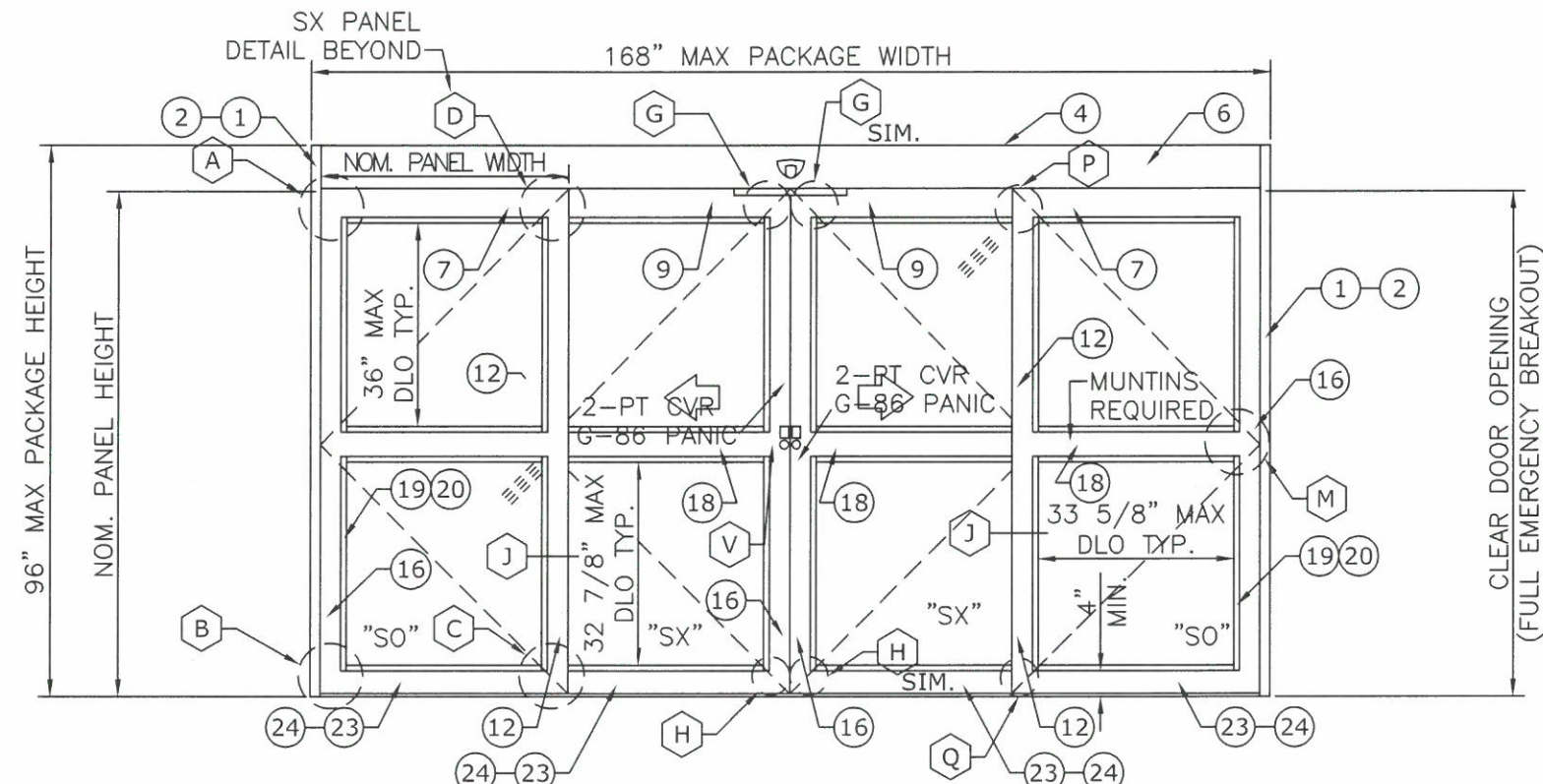
SCALE: NTS UNLESS NOTED

01 OF 09

c:\users\sam\engineering\express\production - documents\projects\23-123-67901 multiple 2023 noa product update noa 22-1207\work\drawings & cad\2023 noa update\23-1127.01.dwg 1/9/2024 9:24 AM SAM

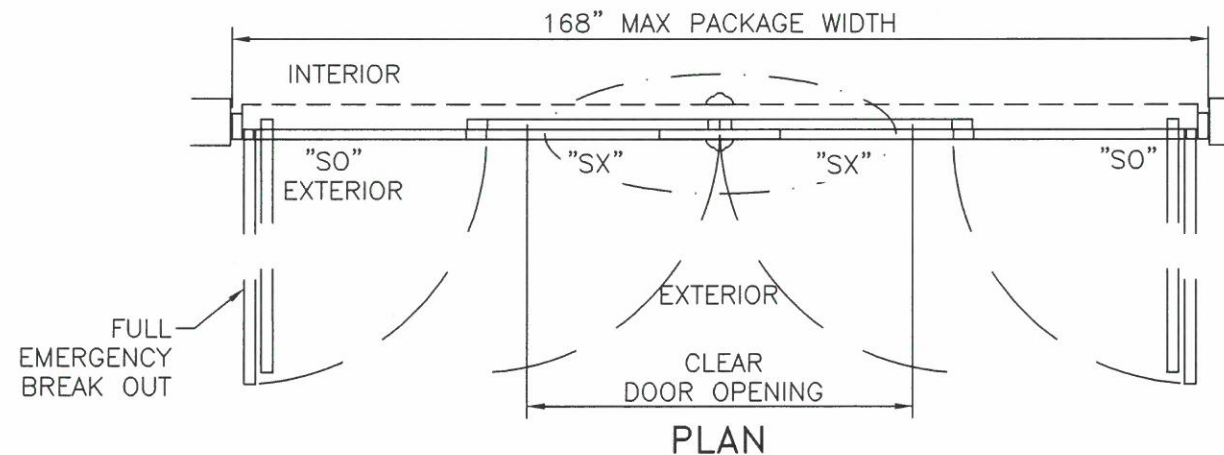
DURA-STORM SERIES 3000 ELEVATION AND PLAN

FRANK BENNARDO, PE
PE# 0046549 CA# 9885
JANUARY 9, 2024
No PE0046549
STATE OF FLORIDA
PROFESSIONAL ENGINEER



EXTERIOR ELEVATION
S0-SX-SX-S0 (BI-PART)

- (XX) : EXTRUSION
- (XX)-(XX) : EXTRUSION, OPTION
- (XX) : PART
- (XX) : DETAIL



PLAN

DESIGN RATINGS		
MISSILE IMPACT RATING		
<input checked="" type="checkbox"/>	LARGE AND SMALL MISSILE IMPACT	
<input checked="" type="checkbox"/>	RISK CATEGORY IV, 80 FT/S, "LEVEL E"	
DESIGN PRESSURE RATING (PSF[Pa])		
	WHERE WATER INFILTRATION RATING IS REQUIRED	WHERE WATER INFILTRATION RATING IS NOT REQUIRED
POSITIVE	NOT APPROVED	75 PSF
NEGATIVE	NOT APPROVED	75 PSF

SERIES 3000 BI-PART AVAILABLE PACKAGE WIDTH INFORMATION						
PACKAGE WIDTH	ROUGH OPENING	STILE TYPE	NOMINAL CLEAR DOOR OPENING	NOMINAL PANEL WIDTH (SX)	NOMINAL PANEL WIDTH (S0)	CAULKING ALLOWANCE
168.0"	168.5"	MEDIUM	66.3"	43.4"	43.4"	1/4" / SIDE

SERIES 3000 BI-PART AVAILABLE PACKAGE HEIGHT INFORMATION						
PACKAGE HEIGHT	ROUGH OPENING	STILE TYPE	NOMINAL CLEAR DOOR OPENING	NOMINAL PANEL HEIGHT (SX)	NOMINAL PANEL HEIGHT (S0)	CAULKING ALLOWANCE
96.0"	96.3"	MEDIUM	86.5"	90.4"	87.3"	1/4" TOP

PRODUCT RENEWED
as complying with the Florida Building Code
NOA-No. 23-1127.01
Expiration Date 09/27/2028
By *Ishag I. Chank*
Miami-Dade Product Control

ENGINEERING EXPRESS
POSTAL ADDRESS:
2234 NORTH FEDERAL HWY #7664
BOCA RATON, FL 33431
ENGINEERINGEXPRESS.COM

ALLEGION ACCESS TECHNOLOGIES, LLC
65 SCOTT SWAMP RD.
FARMINGTON, CT 06032
SAT SERIES "DURA-SOTRM 3000" AUTO SGD BI-PARTING SGD LMI (MISSILE LEVEL E) MIAMI-DADE NOTICE OF ACCEPTANCE



REMARKS	DATE
INIT ISSUE	11/13/23
DRWN	
CHKD	
RS	
SQ	

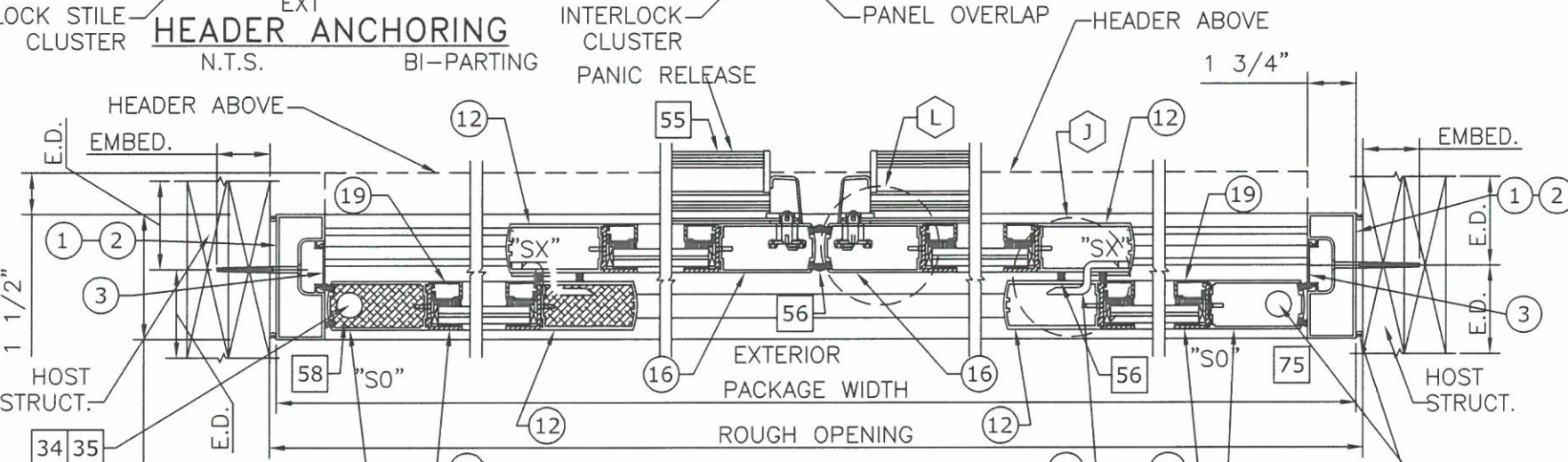
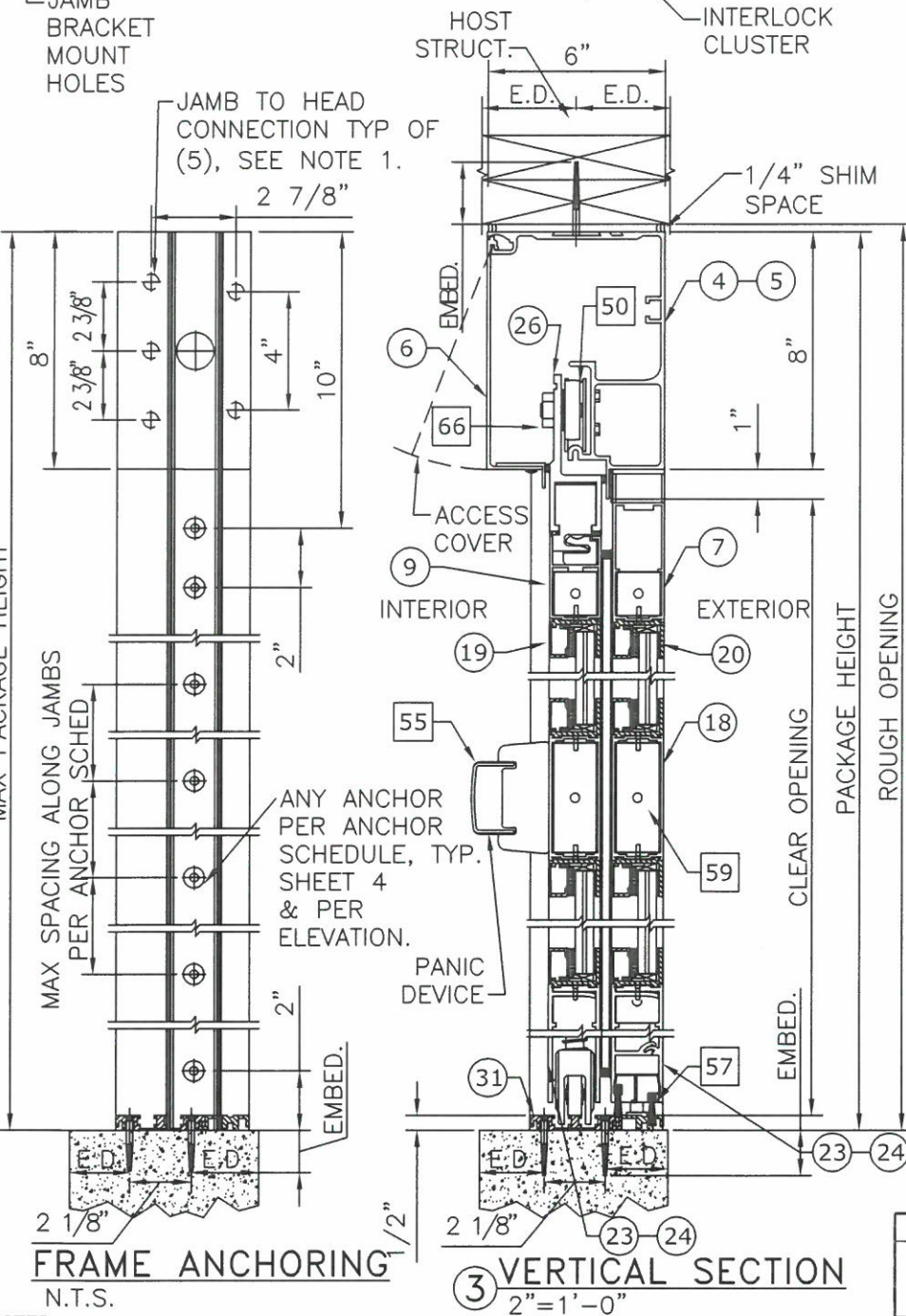
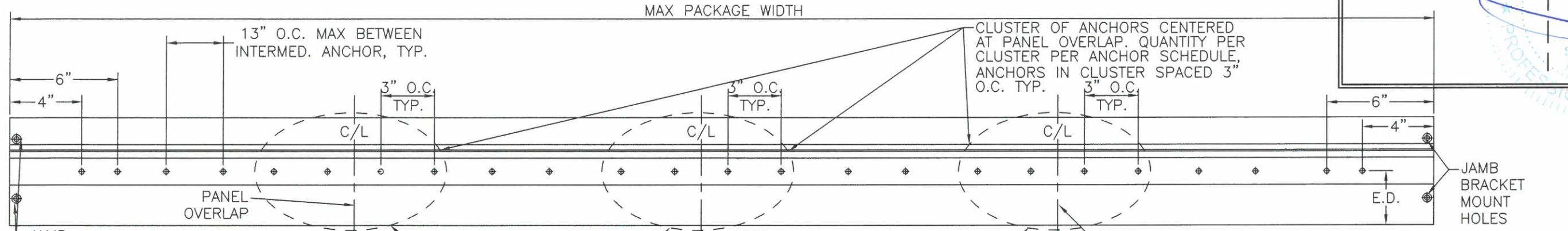
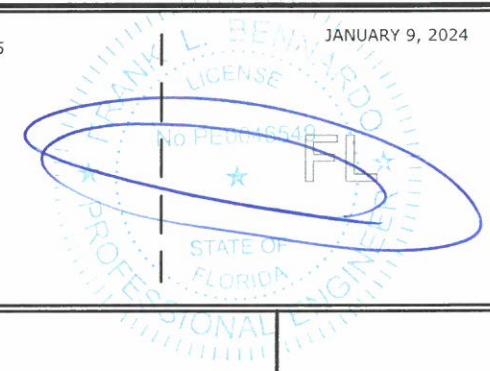
COPYRIGHT ENGINEERING EXPRESS®
23-67901
SCALE: NTS UNLESS NOTED

02 OF 09

c:\users\sam\engineering\express\production - documents\projects\23-1127\work\drawings & cad\2023 noa update\23-1127.01.dwg
1/9/2024 9:24 AM SAM

- NOTES**
1. TYPICAL DOOR SHOWN. RAIL OPTIONS AVAILABLE AS INDICATED.
 2. HORIZONTAL MUNTIN BAR REQUIRED.
 3. PRODUCT SHALL BE MANUFACTURED AND INSTALLED IN ACCORDANCE WITH PRODUCT APPROVALS.
 4. SEE ELEVATIONS SHEET 1 AND SHEETS 3 THROUGH 6 FOR REQUIRED ANCHORAGE.
 5. SEE SHEET 8 FOR GLAZING DETAILS.

DURA-STORM SERIES 3000 SECTIONS & ANCHORING, PANIC RELEASE 4-PT LOCKS



4 HORIZONTAL SECTION
2"=1'-0"
S0-SX-SX-S0 (BI-PART)

NOTE: ITEM 58 "FOAM BLOCK" INSTALLED IN ALL STILES, EXCEPT LOCKING STILES. NOT SHOWN IN ALL STILES FOR CLARITY

- (XX) : EXTRUSION
- (XX-XX) : EXTRUSION, OPTION
- [XX] : PART
- (XX) : DETAIL

SEE THRESHOLD ANCHORS SHEET 6. APPLICABLE TO 3 KSI CONCRETE ONLY.

PRODUCT RENEWED
as complying with the Florida Building Code
NOA-No. 23-1127.01
Expiration Date 09/27/2028
By Ishag I. Chande
Miami-Dade Product Control

ANCHOR SCHEDULE							
HOST STRUCTURE	ANCHOR	EMBEDMENT	EDGE DISTANCE	NUMBER OF ANCHORS PER INTERLOCK/LOCK STILE CLUSTER		MAX INTERMEDIATE ANCHOR SPACING ALONG HEAD	MAX ANCHOR SPACING ALONG JAMBS
				HEAD	THRESHOLD		
G=0.55 MIN. WOOD	#14 SMS SCREW (GRADE 5 MIN.)	2" INTO 2 (2X)	1"	4	N/A	13" O.C. MAX	17-5/8" O.C. MAX

- NOTES**
- JAMB TO HEAD CONNECTION FASTENERS; 5/16-18 HHMS WITH WASHER.

EX ENGINEERING EXPRESS
POSTAL ADDRESS:
2234 NORTH FEDERAL HWY#7664
BOCA RATON, FL 33431
ENGINEERINGEXPRESS.COM

ALLEGION ACCESS TECHNOLOGIES, LLC
65 SCOTT SWAMP RD.
FARMINGTON, CT 06032
SAT SERIES "DURA-SOTRM 3000" AUTO SGD
BI-PARTING SGD LMT (MISSILE LEVEL E)
MIAMI-DADE NOTICE OF ACCEPTANCE

DRWN	CHKD	DATE
SO	RS	11/13/23
INIT	ISSUE	

23-67901-03

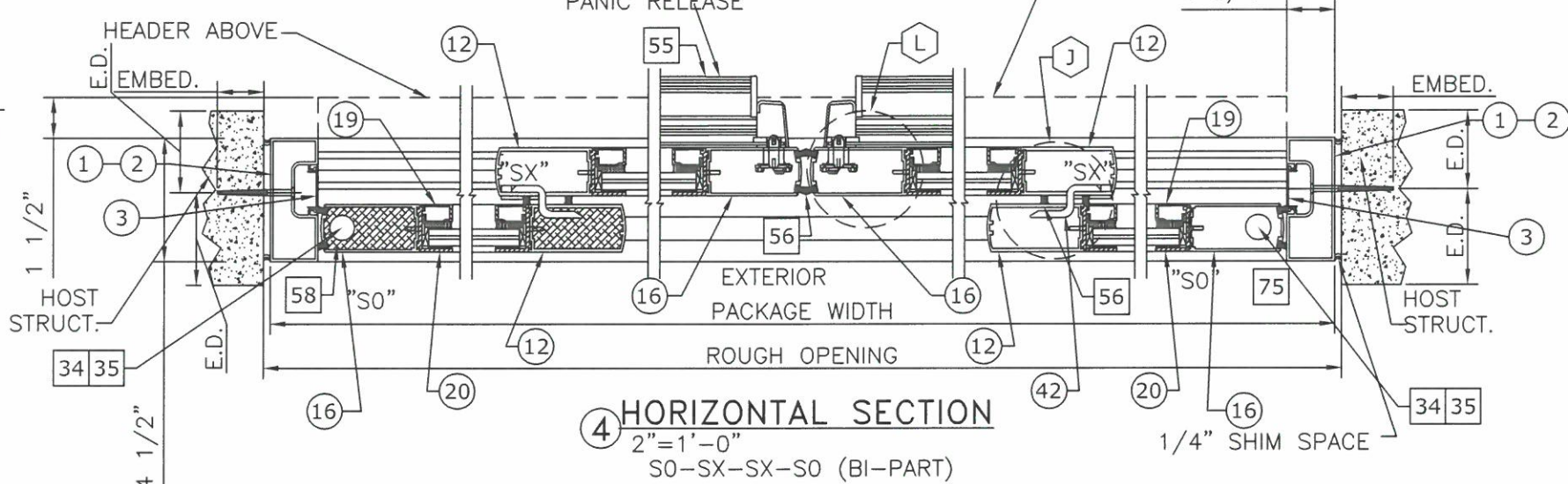
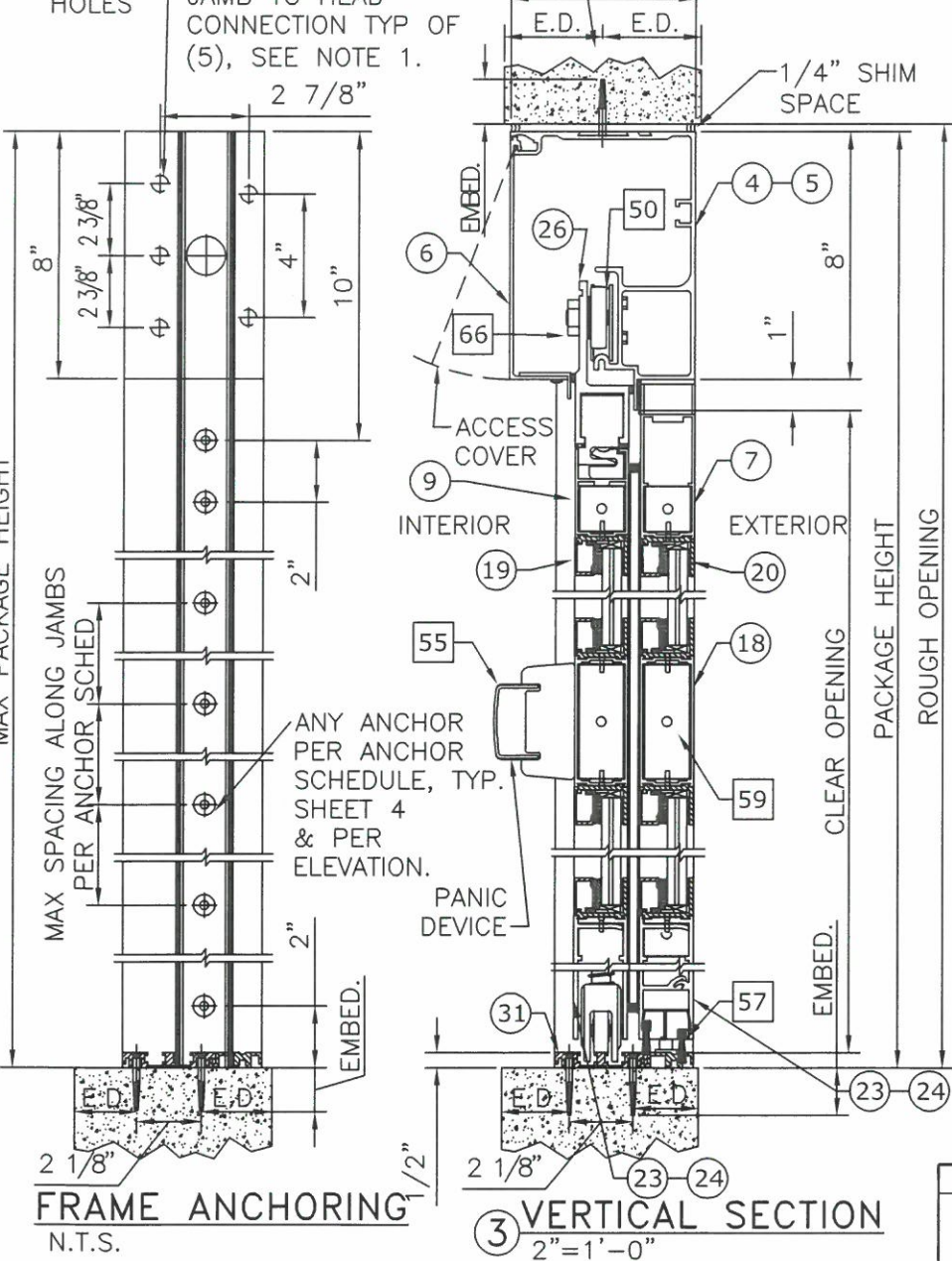
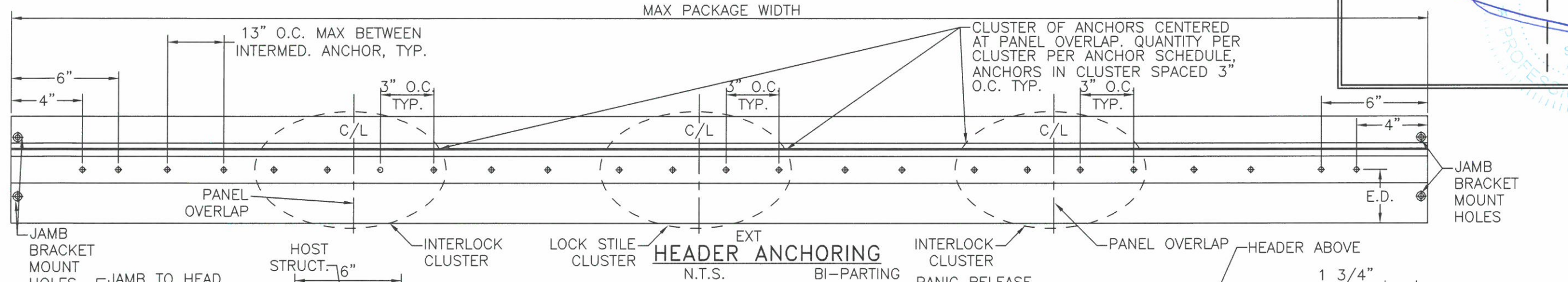
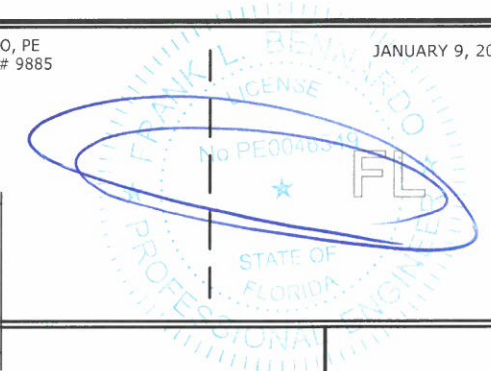
03 OF 09

c:\users\sam\engineering_express\production - documents\projects\23-123-67901_multiple 2023 noa product update noa 22-1207\work\drawings & cad\2023 noa update\23-1127.01.dwg

DURA-STORM SERIES 3000 SECTIONS & ANCHORING, PANIC RELEASE 4-PT LOCKS

FRANK BENNARDO, PE
PE# 0046549 CA# 9885

JANUARY 9, 2024



- (XX) : EXTRUSION
- (XX-XX) : EXTRUSION, OPTION
- (XX) : PART
- (XX) : DETAIL

SEE THRESHOLD ANCHORS SHEET 6. APPLICABLE TO 3 KSI CONCRETE ONLY.

PRODUCT RENEWED
as complying with the Florida Building Code
NOA-No. 23-1127.01
Expiration Date 09/27/2028
By Ishag I. Chandy
Miami-Dade Product Control

ANCHOR SCHEDULE							
HOST STRUCTURE	ANCHOR	EMBEDMENT	EDGE DISTANCE	NUMBER OF ANCHORS PER INTERLOCK/LOCK STILE CLUSTER		MAX INTERMEDIATE ANCHOR SPACING ALONG HEAD & THRESHOLD	MAX ANCHOR SPACING ALONG JAMBS
				HEAD	THRESHOLD		
3KSI MIN. CONCRETE	1/4" POWERS/RAWL PERMASEAL TAPPER	1-1/2"	3"	4	6	13" O.C. MAX	17-5/8" O.C. MAX

NOTES
1. JAMB TO HEAD CONNECTION FASTENERS; 5/16-18 HHMS WITH WASHER.

ENGINEERING EXPRESS
POSTAL ADDRESS:
2234 NORTH FEDERAL HWY #7664
BOCA RATON, FL 33431
ENGINEERINGEXPRESS.COM

ALLEGION ACCESS TECHNOLOGIES, LLC
65 SCOTT SWAMP RD.
FARMINGTON, CT 06032
SAT SERIES "DURA-SOTRM 3000" AUTO SGD
BI-PARTING SGD LMI (MISSILE LEVEL E)
MIAMI-DADE NOTICE OF ACCEPTANCE



DRWN	CHKD	DATE
SQ	RS	11/13/23

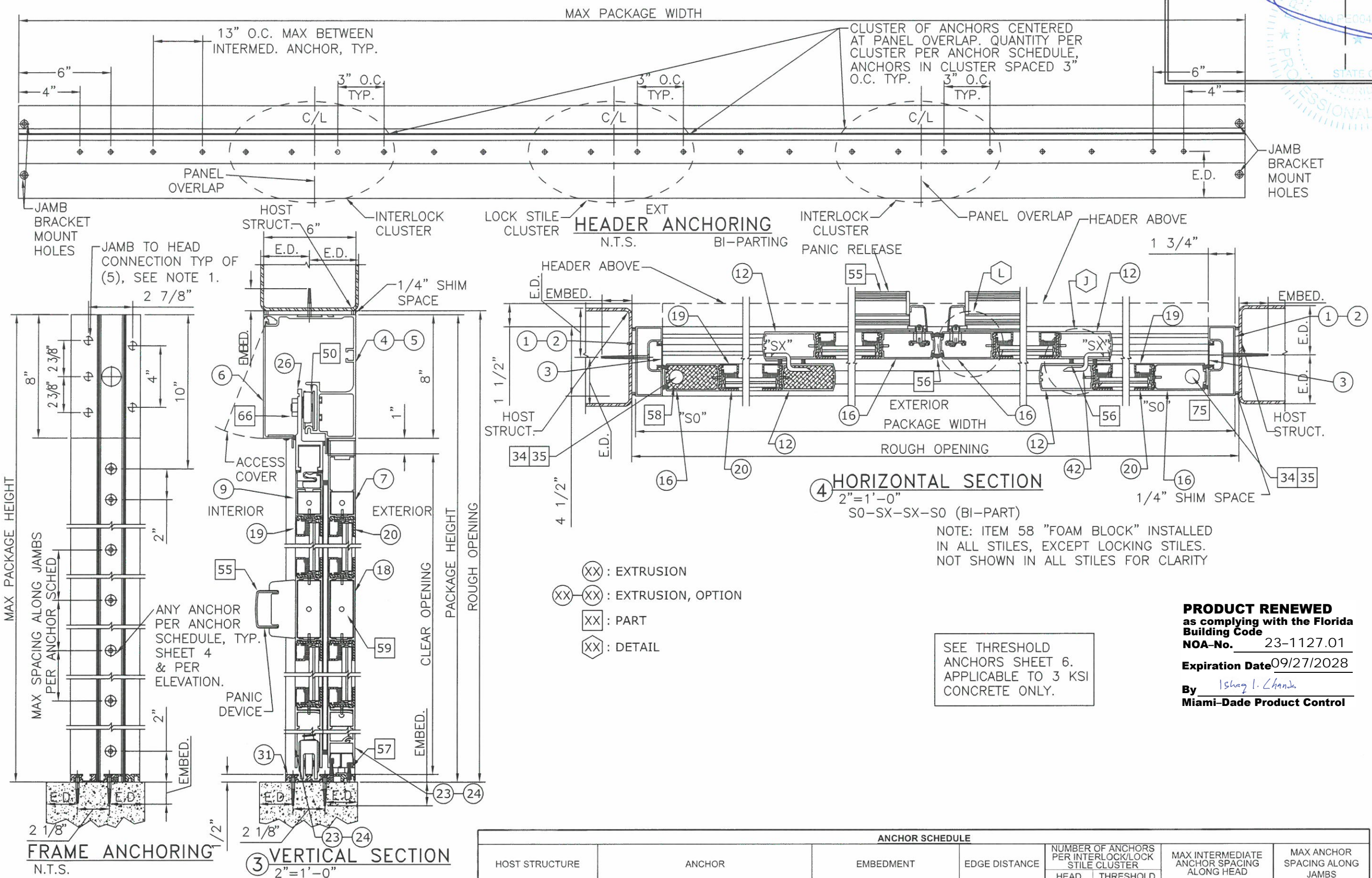
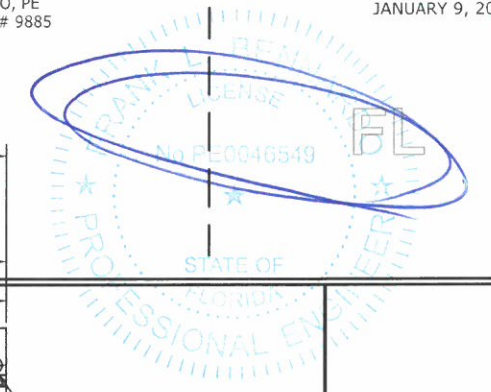
23-67901
SCALE: NTS UNLESS NOTED
04 OF 09

c:\users\sam\engineering\express\production - documents\projects\23-123-67901 - multiple 2023 noa product update noa 22-1207\work\drawings & cad\2023 noa update\23-1127.01.dwg

DURA-STORM SERIES 3000 SECTIONS & ANCHORING, PANIC RELEASE 4-PT LOCKS

FRANK BENNARDO, PE
PE# 0046549 CA# 9885

JANUARY 9, 2024



NOTES
1. JAMB TO HEAD CONNECTION FASTENERS; 5/16-18 HHMS WITH WASHER.

ENGINEERING EXPRESS
 POSTAL ADDRESS:
 2234 NORTH FEDERAL HWY #7664
 BOCA RATON, FL 33431
 ENGINEERINGEXPRESS.COM

ALLEGION ACCESS TECHNOLOGIES, LLC
 65 SCOTT SWAMP RD.
 FARMINGTON, CT 06032
 SAT SERIES "DURA-SOTRM 3000" AUTO SGD
 BI-PARTING SGD LMI (MISSILE LEVEL E)
 MIAMI-DADE NOTICE OF ACCEPTANCE

ALLEGION

PRODUCT RENEWED
 as complying with the Florida Building Code
 NOA-No. 23-1127.01
 Expiration Date 09/27/2028
 By *Ishag I. Chank*
 Miami-Dade Product Control

DRWN	CHKD	DATE
RS	RS	11/13/23
SQ		

REMARKS
INIT ISSUE

COPYRIGHT ENGINEERING EXPRESS®

23-67901
SCALE: NTS UNLESS NOTED

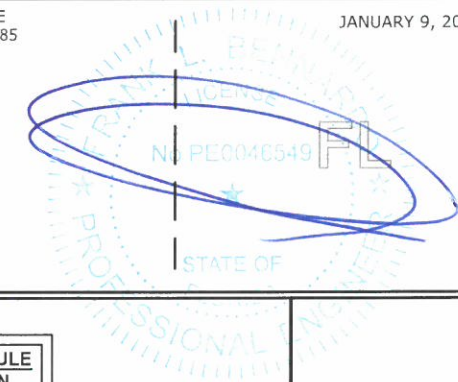
05 OF 09

L:\Users\sam\engineering\express\production - documents\projects\23-123-67901 multiple 2023 noa product update noa 22-1207\work\drawings & cad\2023 noa update\23-1127.01.dwg
 1/9/2024 9:25 AM SAM

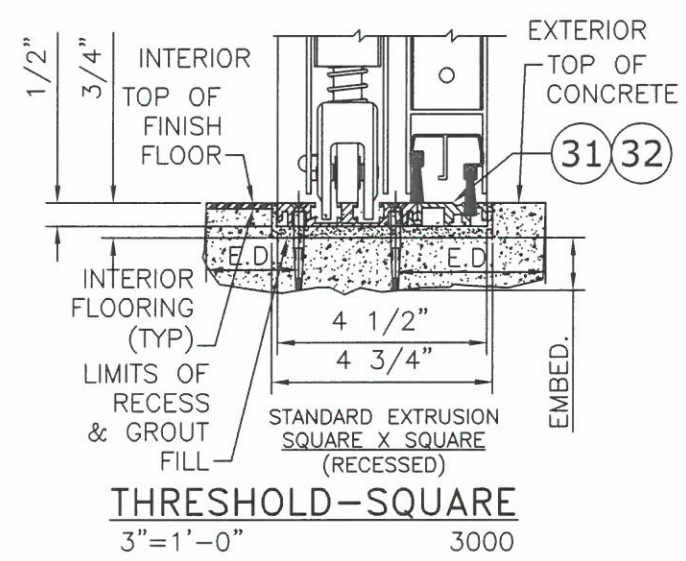
DURA-STORM SERIES 3000 THRESHOLDS & ANCHORING

FRANK BENNARDO, PE
PE# 0046549 CA# 9885

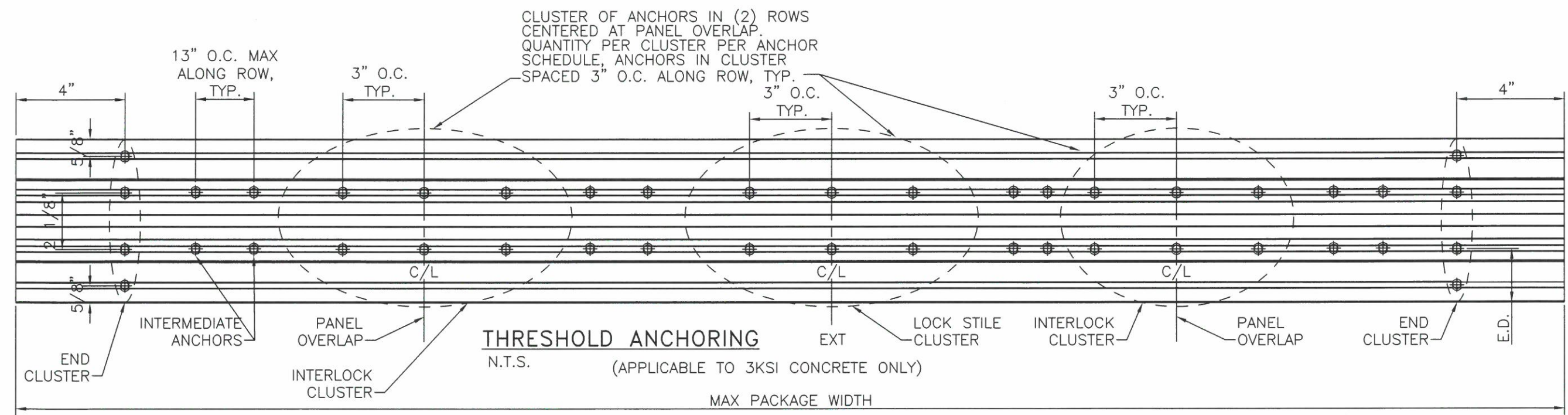
JANUARY 9, 2024



NOTE: USE CONCRETE ANCHOR PER ANCHOR SCHEDULE FOR ALL THRESHOLD ANCHORAGE DETAILS SHOWN HEREIN. SEE SHEET 4 FOR ANCHOR SCHEDULE AND ALLOWABLE CONCRETE ANCHOR TYPES



PRODUCT RENEWED
as complying with the Florida Building Code
NOA-No. 23-1127.01
Expiration Date 09/27/2028
By *Ishag I. Chank*
Miami-Dade Product Control



ENGINEERING EXPRESS
POSTAL ADDRESS:
2234 NORTH FEDERAL HWY #7664
BOCA RATON, FL 33431
ENGINEERINGEXPRESS.COM

ALLEGION ACCESS TECHNOLOGIES, LLC
65 SCOTT SWAMP RD.
FARMINGTON, CT 06032
SAT SERIES "DURA-SOTRM 3000" AUTO SGD
BI-PARTING SGD LMI (MISSILE LEVEL E)
MIAMI-DADE NOTICE OF ACCEPTANCE

REMARKS	DRWN	CHKD	DATE
INIT ISSUE	SQ	RS	11/13/23

COPYRIGHT ENGINEERING EXPRESS®

23-67901

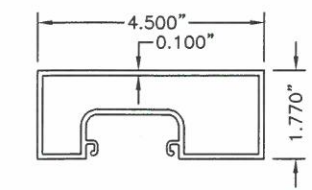
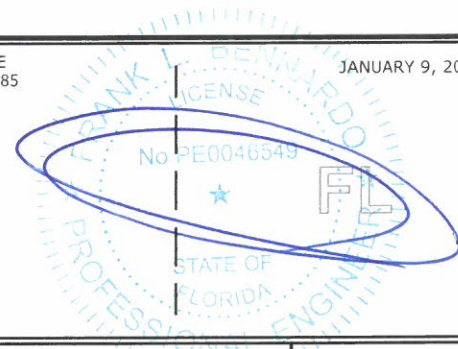
06 OF 09

c:\users\sam\engineering express\production - documents\projects\23-67901 multiple 2023 noa product update noa 22-1207\work\drawings & cad\2023 noa update\23-1127.01.dwg 1/9/2024 9:25 AM SAM

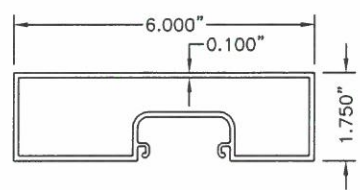
DURA-STORM SERIES 3000 EXTRUSIONS

FRANK BENNARDO, PE
PE# 0046549 CA# 9885

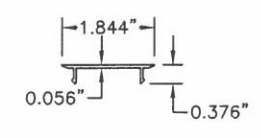
JANUARY 9, 2024



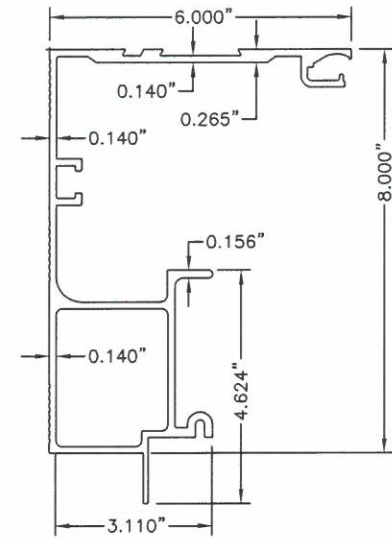
1 JAMB 4 1/2
N.T.S. 6063-T6
PART# 412858



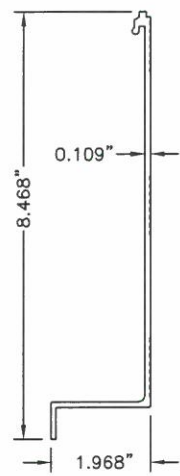
2 JAMB 6
N.T.S. 6063-T6
PART# 516058



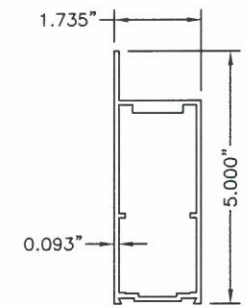
3 JAMB INSERT
N.T.S. 6063-T6
PART# 412860



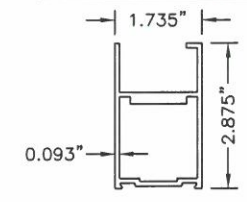
4 HEADER
N.T.S. 6063-T6
PART# 515707



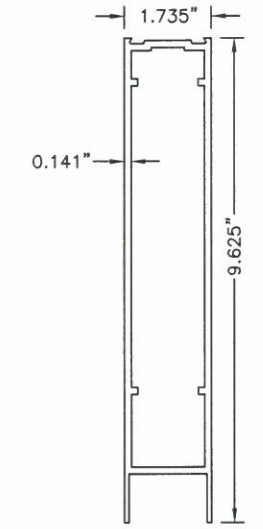
6 HEADER COVER
N.T.S. 6063-T6
PART# 515686



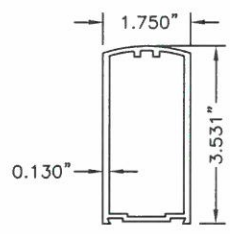
7 TOP RAIL, SO
N.T.S. 6063-T6
PART# 415052



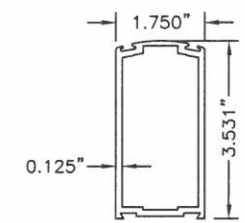
9 TOP RAIL, SX
N.T.S. 6063-T6
PART# 412469



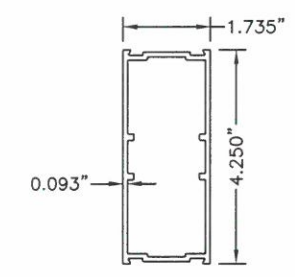
24 BOTTOM RAIL, SX/SO
N.T.S. 1-PIECE 6063-T6
PART# 516739
(SERIES 3000)



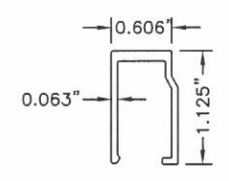
12 STILE
N.T.S. 6063-T6
PART# 419244



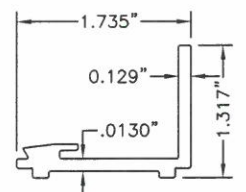
16 STILE LOCK
N.T.S. 6063-T6
PART# 417395



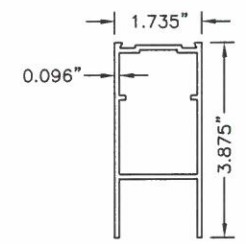
18 MUNTIN BAR
N.T.S. 6063-T6
PART# 415026



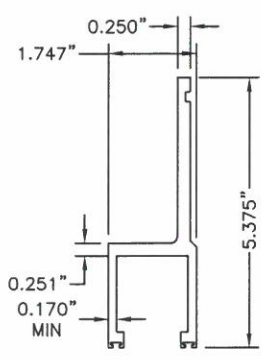
19 GLASS STOP
N.T.S. 6063-T6
PART# 417925



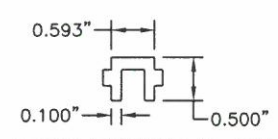
20 GUTTER
N.T.S. 6063-T6
PART# 413930



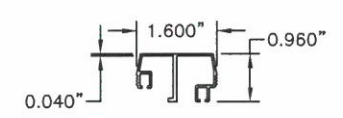
23 BOTTOM RAIL, SX/SO
N.T.S. 6063-T6
PART# 412470



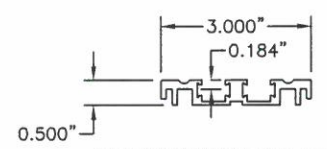
26 HANGER
N.T.S. 6063-T6
PART# 515031



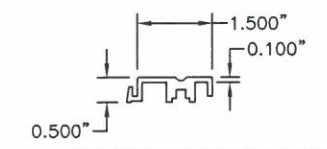
27 THRESHOLD FILLER
N.T.S. 6063-T6
PART# 411795



30 SWEEP HOLDER
N.T.S. 6063-T6



31 COMPONENT THRESHOLD
N.T.S. 6063-T6
PART# 517081



32 COMPONENT THRESHOLD
N.T.S. 6063-T6
PART# 517083

PRODUCT RENEWED
as complying with the Florida
Building Code
NOA-No. 23-1127.01
Expiration Date 09/27/2028
By *Ismael I. Chantz*
Miami-Dade Product Control

ENGINEERING EXPRESS
POSTAL ADDRESS:
2234 NORTH FEDERAL HWY #7664
BOCA RATON, FL 33431
ENGINEERINGEXPRESS.COM

ALLEGION ACCESS
TECHNOLOGIES, LLC
65 SCOTT SWAMP RD.
FARMINGTON, CT 06032



SAT SERIES "DURA-SOTRM 3000" AUTO SGD
BI-PARTING SGD LMI (MISSILE LEVEL E)
MIAMI-DADE NOTICE OF ACCEPTANCE

REMARKS	DRWN	CHKD	DATE
INIT ISSUE	RS		11/13/23
	SO		

COPYRIGHT ENGINEERING EXPRESS®

23-67901

SCALE: NTS UNLESS NOTED

07 OF 09

c:\users\sam\engineering\express\production - documents\projects\23-1207\work\drawings & cad\2023 noa update\23-1127.01.dwg

SAM

1/9/2024 9:25 AM

DURA-STORM SERIES 3000 DETAILS

FRANK BENNARDO, PE
PE# 0046549 CA# 9885

JANUARY 9, 2024

FRANK L. BENNARDO
No. PE0046549
STATE OF FLORIDA
PROFESSIONAL ENGINEER

PRODUCT RENEWED
as complying with the Florida
Building Code
NOA-No. 23-1127.01
Expiration Date 09/27/2028
By *Ishag I. Chank*
Miami-Dade Product Control

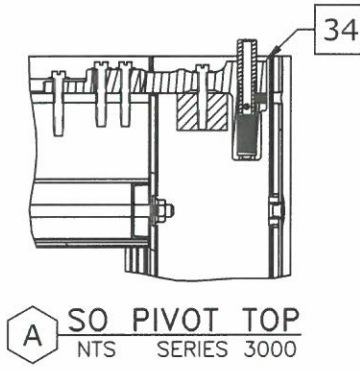
ENGINEERING EXPRESS
POSTAL ADDRESS:
2234 NORTH FEDERAL HWY#7664
BOCA RATON, FL 33431
ENGINEERINGEXPRESS.COM

ALLEGION ACCESS TECHNOLOGIES, LLC
65 SCOTT SWAMP RD.
FARMINGTON, CT 06032
SAT SERIES "DURA-SOTRM 3000" AUTO SGD
BI-PARTING SGD LMT (MISSILE LEVEL E)
MIAMI-DADE NOTICE OF ACCEPTANCE

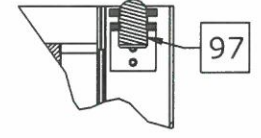
REMARKS	DATE
INIT ISSUE	11/13/23
DRWN	CHKD
SQ	RS

COPYRIGHT ENGINEERING EXPRESS®

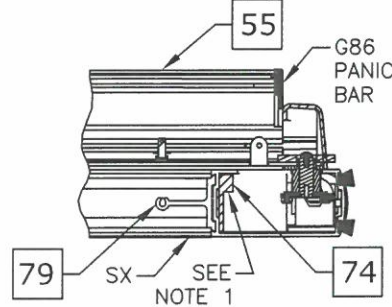
23-67901
SCALE: NTS UNLESS NOTED
08 OF 09



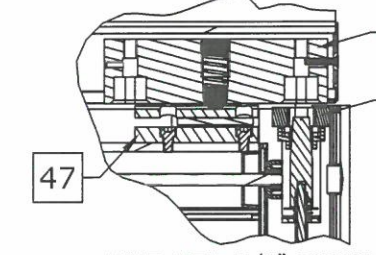
A SO PIVOT TOP
NTS SERIES 3000



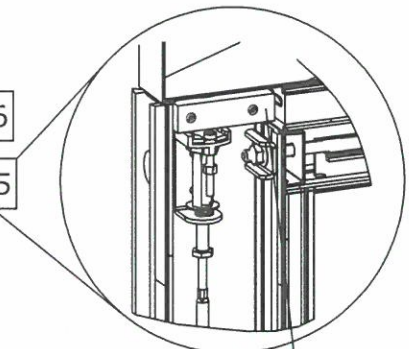
P SO PANEL BALL DETENT TOP
NTS SERIES 3000



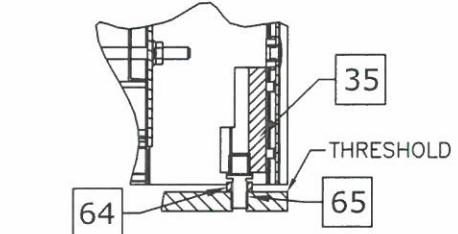
L PANIC REINFORCING
NTS SERIES 3000



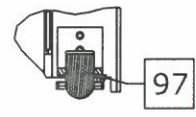
G PANIC BOLT TOP
NTS 3000



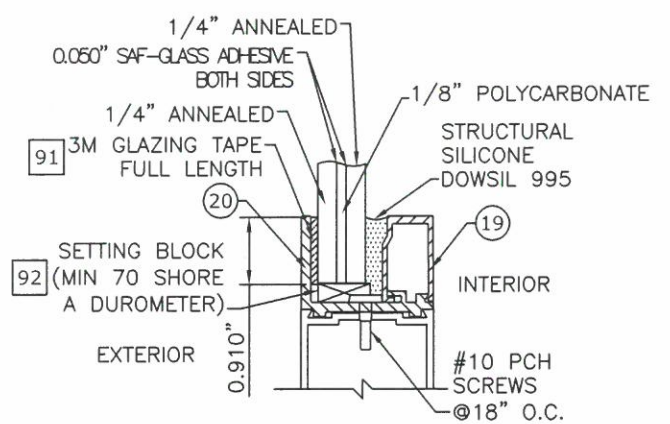
PANIC BOLT WITH GUIDE BLOCK TOP ASSEMBLY CLOSE-UP



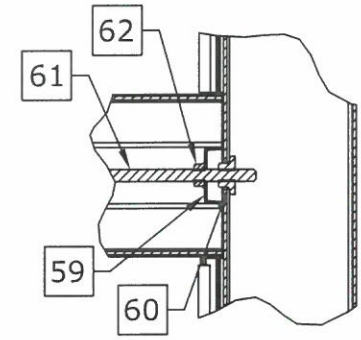
B SO PIVOT BOTTOM
NTS SERIES 3000



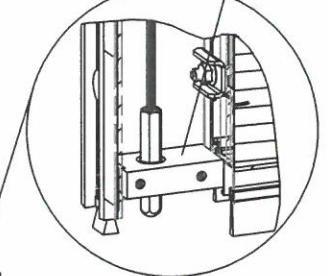
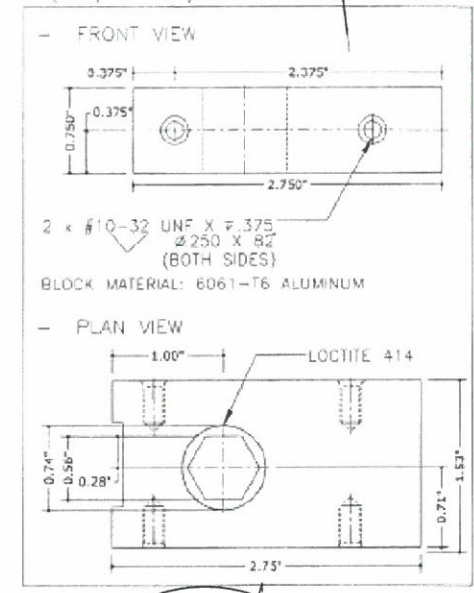
Q SO PANEL BALL DETENT BOTTOM
NTS SERIES 3000



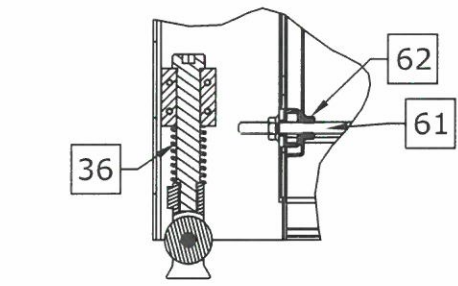
5/8" ANN. LAMINATED GLAZING DETAIL WITH SAFGLAS POLYCARBONATE INTERLAYER BY SAF-GLAS, LLC
NTS



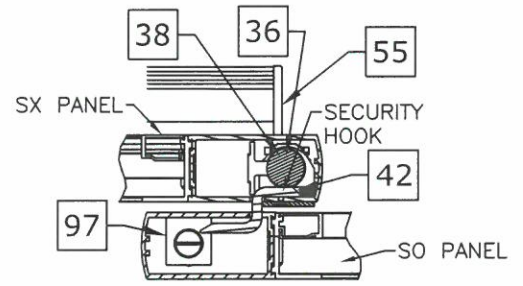
M MUNTIN DETAIL
NTS SERIES 3000



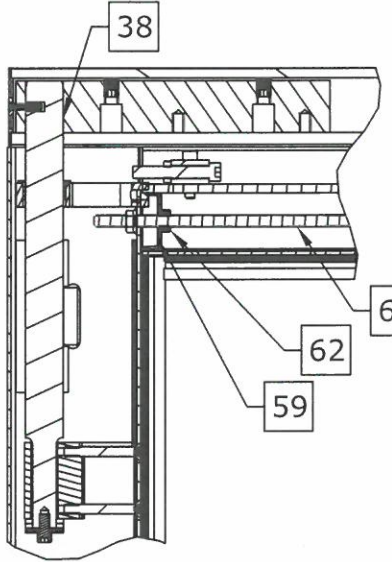
PANIC BOLT WITH GUIDE BLOCK BOTTOM ASSEMBLY CLOSE-UP



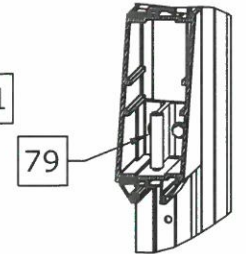
C SX GUIDE/PIVOT BOTTOM
NTS SERIES 3000



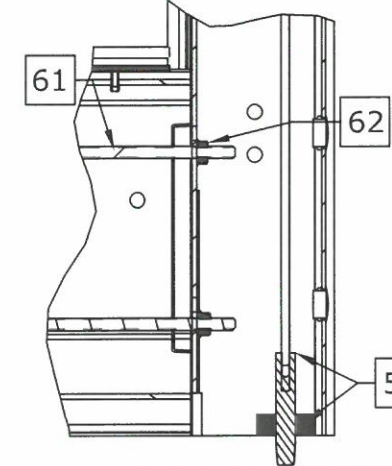
J SECURITY HOOK
NTS SERIES 3000 (SX-SO INTERLOCK)



D SX PIVOT TOP
NTS SERIES 3000



V PANIC MUNTIN DETAIL
NTS 3000



H PANIC BOLT BOTTOM
NTS 3000

NOTES
1. ITEM 74, "STEEL PLATE-PANIC REINFORCING", IS CONTAINED WITHIN VERTICAL STILE, HAS A MINIMUM LENGTH OF 42", AND IS CENTERED VERTICALLY ABOUT CENTERLINE OF HORIZONTAL MUNTIN. ITEM 74 IS FASTENED AS FOLLOWS: SINGLE ROW #10 X 32 X 1/2" FHTCMS @ 6" OC.

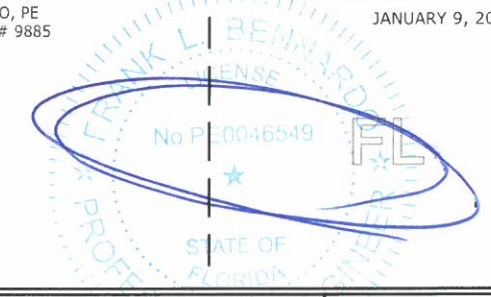
c:\users\sam\engineering\express\production - documents\projects\23-123-67901 - multiple 2023 noa product update noa 22-1207\work\drawings & cad\2023 noa update\23-1127.01.dwg

c:\users\sam\engineering\express\production - documents\projects\23-67901_multiple_2023_noa_product_update_noa_22-1207\work\drawings & cad\2023_noa_update\23-1127.01.dwg

DURA-STORM SERIES 3000 BILL OF MATERIALS

FRANK BENNARDO, PE
PE# 0046549 CA# 9885

JANUARY 9, 2024



BILL OF MATERIALS	
REFERENCE	DESCRIPTION
1	Extrusion - Jamb - 4 1/2"
2	Extrusion - Jamb - 6"
3	Extrusion - Jamb - Insert
4	Extrusion - Header - 1 PC
5	Part Not Used
6	Extrusion - Header Cover -
7	Extrusion - Top Rail - SO
9	Extrusion - Top Rail - SX
10	Part Not Used
11	Part Not Used
12	Extrusion - Stile
13	Part Not Used
14	Part Not Used
15	Part Not Used
16	Extrusion - Stile - Lock
17	Part Not Used
18	Extrusion - Muntin Bar - 4.25"
19	Extrusion - Glass Stop -
20	Extrusion - Glass Gutter -
21	Part Not Used
22	Part Not Used
23	Extrusion - Bottom Rail SX/SO - 1 PC - 4"
24	Extrusion - Bottom Rail SX/SO - 1 PC - 10"
25	Part Not Used
26	Extrusion - Hanger -
27	Extrusion - Threshold - Filler
28	Part Not Used
29	Part Not Used
30	Extrusion - Sweep Holder
31	Extrusion - Threshold - Core
32	Extrusion - Threshold - Square
33	Part Not Used
34	Component - Top Pivot - SO - 3000
35	Component - Bottom Pivot - SO - 3000
36	Component - Bottom Guide - SX - 3000
37	Part Not Used
38	Component - Top pivot - SX
39	Part Not Used
40	Component - Ball Detent - Std
41	Component - Detent Block - Std
42	Component - Security Hook - Std
43	Part Not Used
44	Part Not Used
45	Part Not Used
46	Component - Ball Detent
47	Component - Detent Block
48	Part Not Used
49	Part Not Used
50	Component - Load Wheel - Steel/Aluminum/Plastic
51	Part Not Used
52	Part Not Used

BILL OF MATERIALS	
REFERENCE	DESCRIPTION
53	Part Not Used
54	Component - Exit Indicator -
55	Component - 2-Pt Panic Device - Adams Rite G86 with concealed vertical rod (top/bottom) and latch assembly.
56	Component - Pile - Adhesive/non Adhesive backed
57	Component - Brush - Sweep
58	Component - Foam Block -
59	Hardware - Tie Rod - Plate
60	Hardware - Tie Rod - Nut - 5/16-18 - Steel
61	Hardware - Threaded Rod - 5/16-18 - Steel
62	Hardware - 5/16 - 18 - Nut - Steel
63	Hardware - Tie Rod / Rail - Plate - Steel
64	Hardware - 7/16-20 Jamb Nut - Steel
65	Hardware - 7/16 SO Pivot Pin - Steel
66	Hardware - 5/8-11 Nut - Steel
67	Part Not Used
68	Part Not Used
69	Part Not Used
70	Part Not Used
71	Part Not Used
72	Part Not Used
73	Part Not Used
74	Component - Steel Plate - Panic Reinforcing (48" Min.)
75	Part Not Used
76	Part Not Used
77	Part Not Used
78	Part Not Used
79	Component - Muntin Clip (with Panic)
80	Part Not Used
81	Part Not Used
82	Part Not Used
83	Part Not Used
84	Part Not Used
85	Part Not Used
86	Part Not Used
87	Part Not Used
88	Part Not Used
89	Part Not Used
90	Part Not Used
91	Glazing - 3M Tape -
92	Glazing - Setting Block -
93	Part Not Used
94	Part Not Used
95	Part Not Used
96	Part Not Used
97	Component - Ball Detent - SO
98	Part Not Used
99	Part Not Used
100	Extrusion - 1"x1"x3/16" Angle

PRODUCT RENEWED
as complying with the Florida
Building Code
NOA-No. 23-1127.01
Expiration Date 09/27/2028
By Ishag I. Chank
Miami-Dade Product Control

ENGINEERING EXPRESS
POSTAL ADDRESS:
2234 NORTH FEDERAL HWY #7664
BOCA RATON, FL 33431
ENGINEERINGEXPRESS.COM

ALLEGION ACCESS TECHNOLOGIES, LLC
65 SCOTT SWAMP RD.
FARMINGTON, CT 06032
SAT SERIES "DURA-SOTRM 3000" AUTO SGD
BI-PARTING SGD LMI (MISSILE LEVEL E)
MIAMI-DADE NOTICE OF ACCEPTANCE

REMARKS	DATE	DRWN	CHKD	DATE
INIT ISSUE	11/13/23	SQ	RS	

COPYRIGHT ENGINEERING EXPRESS®
23-67901
SCALE: NTS UNLESS NOTED
09 OF 09