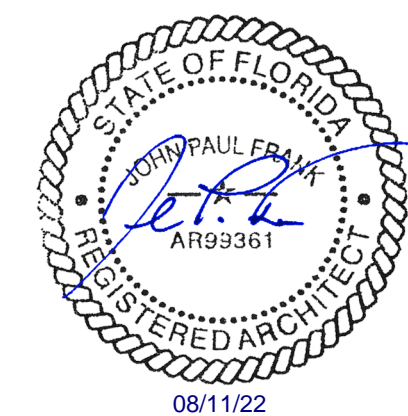




DATE	DESCRIPTION
02/19/20	PERMIT SET
05/21/20	REV 1 - SITE PKAN PKG
10/07/20	REV 2 - PHOTOMETRIC
10/20/20	REV 3 - AHJ COMMENTS
01/11/21	REFRESH 2021_0107
02/26/21	REV 4 - P & Z COMMENTS
11/05/21	REFRESH 2021_0401
02/07/22	REFRESH 2021_0507
08/11/22	REFRESH 2022_0202

SPB NO. 0202 DATE 07/08/22
STANDARD PLAN BULLETINS (SPB) MODIFY THE PROTOTYPE SERIES SET NOTED ABOVE. THE LISTED SPB REPRESENTS THE LATEST MODIFICATION INCORPORATED TO THIS PROTOTYPE SERIES SET AT ORIGINAL RELEASE. THE ISSUE REVISION RECORD COLUMN ABOVE LISTS ANY REVISIONS OR SPB INCORPORATED IN THIS SET AFTER THE ORIGINAL RELEASE. CONTACT RACETRAC ENGINEERING AND CONSTRUCTION FOR ANY SUBSEQUENT BULLETINS NOT INCORPORATED HEREIN.

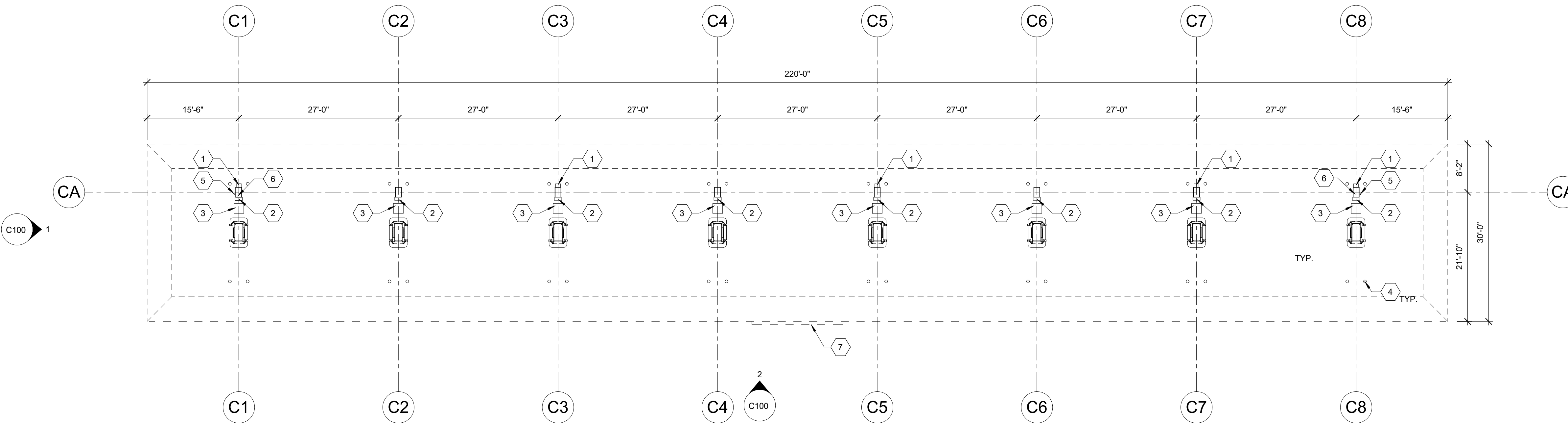


GENERAL NOTES

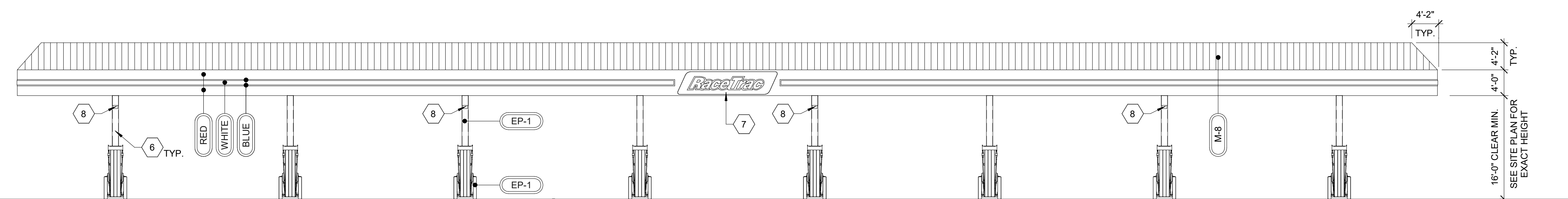
- AREA WITHIN 18'-0" OF DISPENSER BOTH HORIZONTALLY AND VERTICAL SHALL BE CLASS 1, DIVISION 2.
- EXTINGUISHERS SHALL BE PROVIDED AND SO LOCATED THAT NO PUMP DISPENSER OR FILL-PIPE OPENING SHALL BE A GREATER DISTANCE THAN 50'-0" FROM SUCH EXTINGUISHER.
- NO SMOKING SIGNS SHALL BE POSTED IN ACCORDANCE WITH LOCAL JURISDICTION REQUIREMENT.
- PVC PIPE SHALL NOT BE USED ON TOP OF CANOPY. ONLY 3/4" EMT WITH WATER TIGHT CONNECTIONS SHALL BE PERMITTED.
- REFER TO ELECTRICAL SCHEDULES FOR CANOPY CIRCUITS.
- REFER TO SITE ELECTRICAL PLAN FOR SECURITY CAMERA LOCATIONS AND MOUNTING.
- REFER TO FINISH SCHEDULES FOR MATERIAL SPECIFICATIONS.
- REFER TO SITE PLAN FOR NUMBER OF CANOPY SIGNS TO BE PLACED.
- REFER TO MANUFACTURERS SHOP DRAWINGS FOR ALL STRUCTURAL DETAILS.
- REFER TO SITE SPECIFIC PLAN FOR CANOPY LIGHTING.
- REFER TO SITE SPECIFIC PLAN FOR CONCRETE ISLAND LAYOUT.
- REFER TO CANOPY MANUFACTURER'S DRAWINGS FOR FOUNDATION INFORMATION AND COLUMN SURROUND.
- PROVIDE SAFETY DECALS AS REQUIRED.

SHEET KEYNOTES

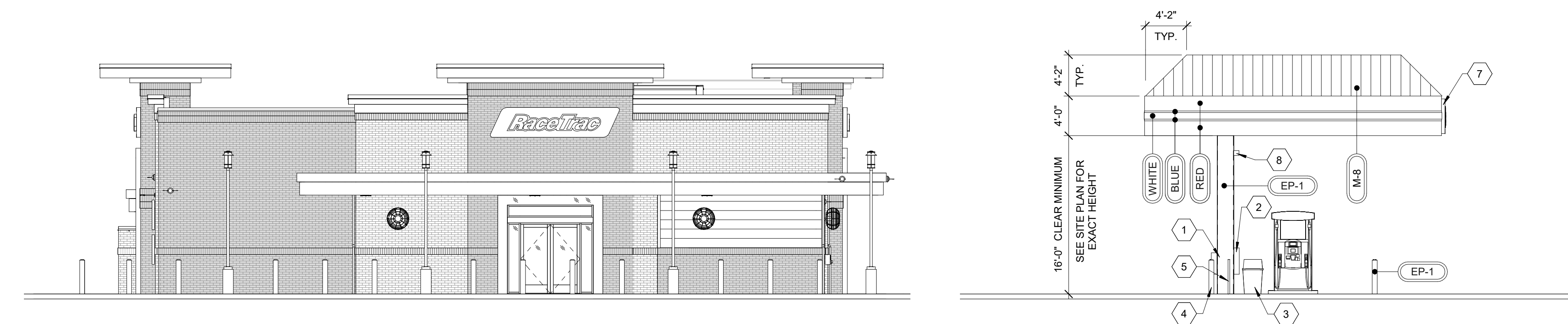
- | NO. | DESCRIPTION |
|-----|---|
| 1 | M2M RED MARK II CABINET WITH RED COVER, ON BACK SIDE OF COLUMN COVER. PROVIDE ONE 80-B RATED EXTINGUISHER |
| 2 | TOWEL DISPENSER "DCI MARKETING" ITEM NUMBER SBWC BLACK |
| 3 | TRASH CAN. REFER TO SITE PLANS |
| 4 | BUMPER POST. REFER TO SITE PLANS |
| 5 | WOODFORD Y-34 FREEZERLESS IOWA YARD HYDRANT |
| 6 | STEEL CANOPY COLUMN, PAINTED EP-1 |
| 7 | RACETRAC LOGO, REFER TO SIGN PLAN |
| 8 | SPEAKER. INSTALL ON THE CANOPY COLUMN CLOSEST TO THE STORE AND MOUNTED 18"-24" BELOW THE DECKING. |



3 CANOPY PLAN
3/32" = 1'-0"



2 CANOPY FRONT ELEVATION
3/32" = 1'-0"



1 CANOPY ELEVATION
1/8" = 1'-0"

FUEL CANOPY MATERIAL SCHEDULE

FUEL CANOPY FINISH SCHEDULE

ID	MANUF.	MATERIAL	COMMENTS
FASCIA			
BLUE	-	-	2" BLUE STRIPE
RED	-	SW #6868 "REAL RED"	REFER TO SPECIFICATION CHART ON SHEET C100
WHITE	-	-	8" WHITE STRIPE
PAINT			
EP-1	SHERWIN WILLIAMS	EXTERIOR PAINT TO SW #7020 "BLACK FOX"	
METAL			
M-8	ENGLERT SERIES	2000 SNAP-LOCK STANDING SEAM, 24-GA GALVALUM	STANDING SEAM ROOF, COLOR TO MATCH SW#6171 "CHATROOM"

STANDARD CANOPY FASCIA COLOR SPECIFICATION CHART

COLOR CALLOUT	CANOPY MANUFACTURER	STANDARD COLOR SPECIFICATION
"TAN"	LANE CANOPIES	ETT TAN FASCIA
	McGEE CANOPIES	ETT TAN FASCIA
	MADISON CANOPIES	PUEBLO TAN FASCIA
"RED"	LANE CANOPIES	TRD RED FASCIA
	McGEE CANOPIES	TRD RED FASCIA - PROGRAM RED
	MADISON CANOPIES	PROGRAM RED FASCIA

INCORPORATED SPB: 2022-0101



ARCHITECT OF RECORD:
JOHN PAUL FRANK
813 METCALA AVENUE
OVERLAND PARK, KS 66204
PHONE: (913) 262-9095

PROJECT MANAGER:
CB

CHECKED BY:
JCM

DRAWN BY:
AG

DATE	DESCRIPTION
02/19/20	PERMIT SET
05/21/20	REV 1 - SITE PKAN PKG
10/07/20	REV 2 - PHOTOMETRIC
10/20/20	REV 3 - AHJ COMMENTS
01/11/21	REFRESH 2021_0107
02/26/21	REV 4 - P & Z COMMENTS
11/05/21	REFRESH 2021_0401
02/07/22	REFRESH 2021_0507
08/11/22	REFRESH 2022_0202

RaceTrac
RACETRAC, INC.
200 GALLERIA PARKWAY SOUTHEAST
SUITE 900
ATLANTA, GEORGIA 30339
(770) 431-7600

PROJECT NAME

VERO BEACH, FL

VERO BEACH FL 32966
8990 20TH STREET

RACETRAC STORE NUMBER

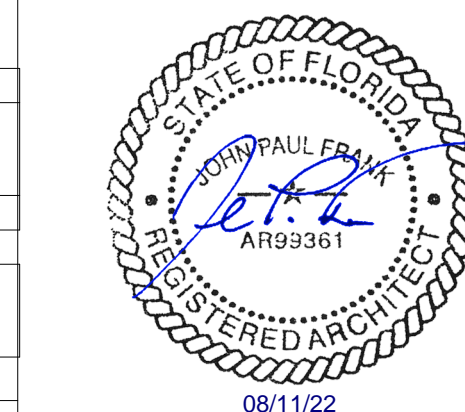
#1422

PROTOTYPE SERIES
2022 LH SV 0202

PLAN MODIFICATION NOTICE

SPB NO. 0202 DATE 07/08/22
STANDARD PLAN BULLETINS (SPB) MODIFY THE PROTOTYPE SERIES SET NOTED ABOVE. THE LISTED SPB REPRESENTS THE LATEST MODIFICATION INCORPORATED TO THIS PROTOTYPE SERIES SET AT ORIGINAL RELEASE. THE ISSUE REVISION RECORD COLUMN ABOVE LISTS ANY REVISIONS OR SPB INCORPORATED IN THIS SET AFTER THE ORIGINAL RELEASE. CONTACT RACETRAC ENGINEERING AND CONSTRUCTION FOR ANY SUBSEQUENT BULLETINS NOT INCORPORATED HEREIN.

PROFESSIONAL SEAL



PROJECT NUMBER
63200213

SHEET TITLE

SECONDARY FUEL CANOPY PLANS AND ELEVATIONS

SHEET NUMBER

C200

GENERAL NOTES

- AREA WITHIN 18'-0" OF DISPENSER BOTH HORIZONTALLY AND VERTICAL SHALL BE CLASS 1, DIVISION 2.
- EXTINGUISHERS SHALL BE PROVIDED AND SO LOCATED THAT NO PUMP DISPENSER OR FILL-PIPE OPENING SHALL BE A GREATER DISTANCE THAN 50'-0" FROM SUCH DISPENSER.
- NO SMOKING SIGNS SHALL BE POSTED IN ACCORDANCE WITH LOCAL JURISDICTION REQUIREMENT.
- PVC PIPE SHALL NOT BE USED ON TOP OF CANOPY. ONLY 3/4" EMT WITH WATER TIGHT CONNECTIONS SHALL BE PERMITTED.
- REFER TO ELECTRICAL SCHEDULES FOR CANOPY CIRCUITS.
- REFER TO SITE ELECTRICAL PLAN FOR SECURITY CAMERA LOCATIONS AND MOUNTING.
- REFER TO FINISH SCHEDULES FOR MATERIAL SPECIFICATIONS.
- REFER TO SITE PLAN FOR NUMBER OF CANOPY SIGNS TO BE PLACED.
- REFER TO MANUFACTURERS SHOP DRAWINGS FOR ALL STRUCTURAL DETAILS.
- REFER TO SITE SPECIFIC PLAN FOR CANOPY LIGHTING.
- REFER TO SITE SPECIFIC PLAN FOR CONCRETE ISLAND LAYOUT.
- REFER TO CANOPY MANUFACTURER'S DRAWINGS FOR FOUNDATION INFORMATION AND COLUMN SURROUND.

SHEET KEYNOTES

- M2M RED MARK II CABINET WITH RED COVER, ON BACK SIDE OF COLUMN COVER. PROVIDE ONE 80-B RATED EXTINGUISHER.
- HAND TOWEL DISPENSER. SEE SHEET A141 FOR ADDITIONAL INFORMATION.
- TRASH CAN. REFER TO SITE PLANS.
- WOODFORD Y-34 FREEZERLESS IOWA YARD HYDRANT
- STEEL CANOPY COLUMN, PAINTED EP-1
- RACETRAC LOGO. REFER TO SIGN PLAN
- SPEAKER. INSTALL ON THE CANOPY COLUMN CLOSEST TO THE STORE AND MOUNTED 18"-24" BELOW THE DECKING.
- HOSE REEL

FUEL CANOPY MATERIAL SCHEDULE

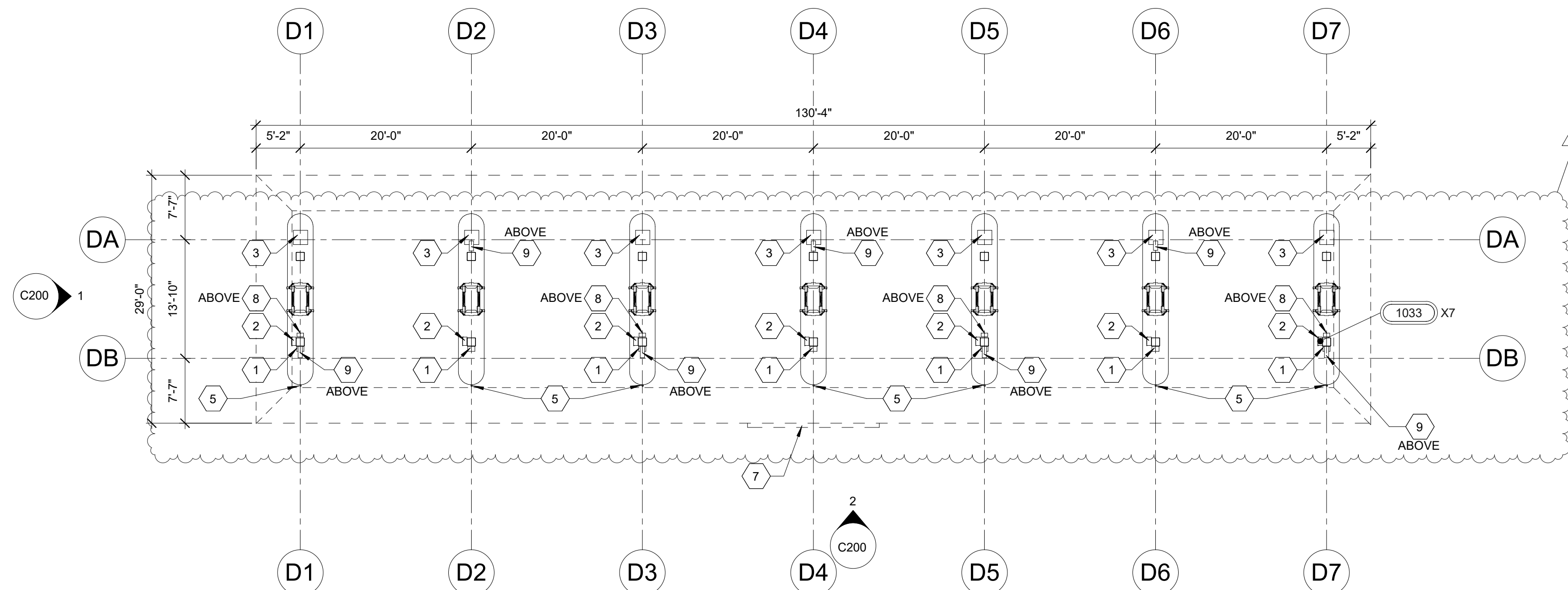
FUEL CANOPY FINISH SCHEDULE

ID	MANUF.	MATERIAL	COMMENTS
FASCIA			
BLUE	-		2" BLUE STRIPE
RED	-	SW #6868 "REAL RED"	REFER TO SPECIFICATION CHART ON SHEET C100
WHITE	-		8" WHITE STRIPE
PAINT			
EP-1	SHERWIN WILLIAMS	EXTERIOR PAINT TO SW #7020 "BLACK FOX"	
METAL			
M-8	ENGLERT SERIES	2000 SNAP-LOCK STANDING SEAM. 24-GA GALVUM	STANDING SEAM ROOF, COLOR TO MATCH SW#6171 "CHATROOM"

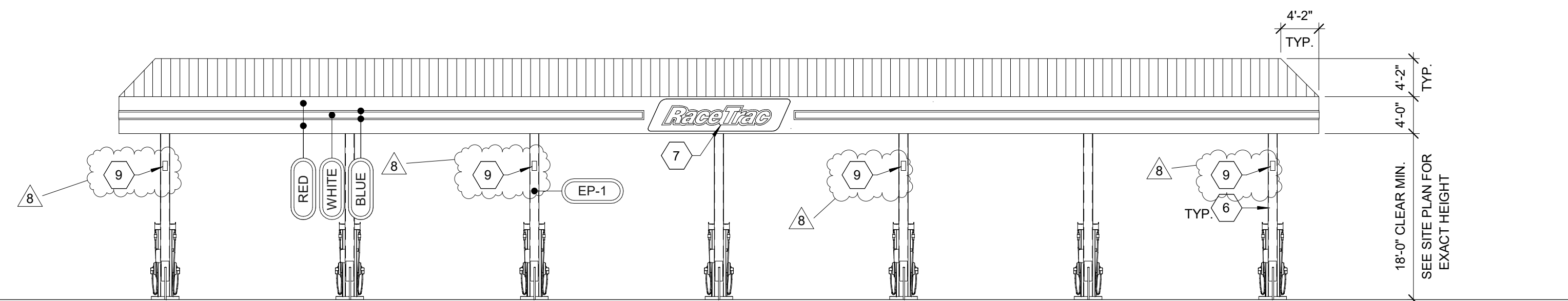
STANDARD CANOPY FASCIA COLOR SPECIFICATION CHART

COLOR CALLOUT	CANOPY MANUFACTURER	STANDARD COLOR SPECIFICATION
"TAN"	LANE CANOPIES	ETT TAN FASCIA
	McGEE CANOPIES	ETT TAN FASCIA
	MADISON CANOPIES	PUEBLO TAN FASCIA
"RED"	LANE CANOPIES	TRD RED FASCIA
	McGEE CANOPIES	TRD RED FASCIA - PROGRAM RED
	MADISON CANOPIES	PROGRAM RED FASCIA

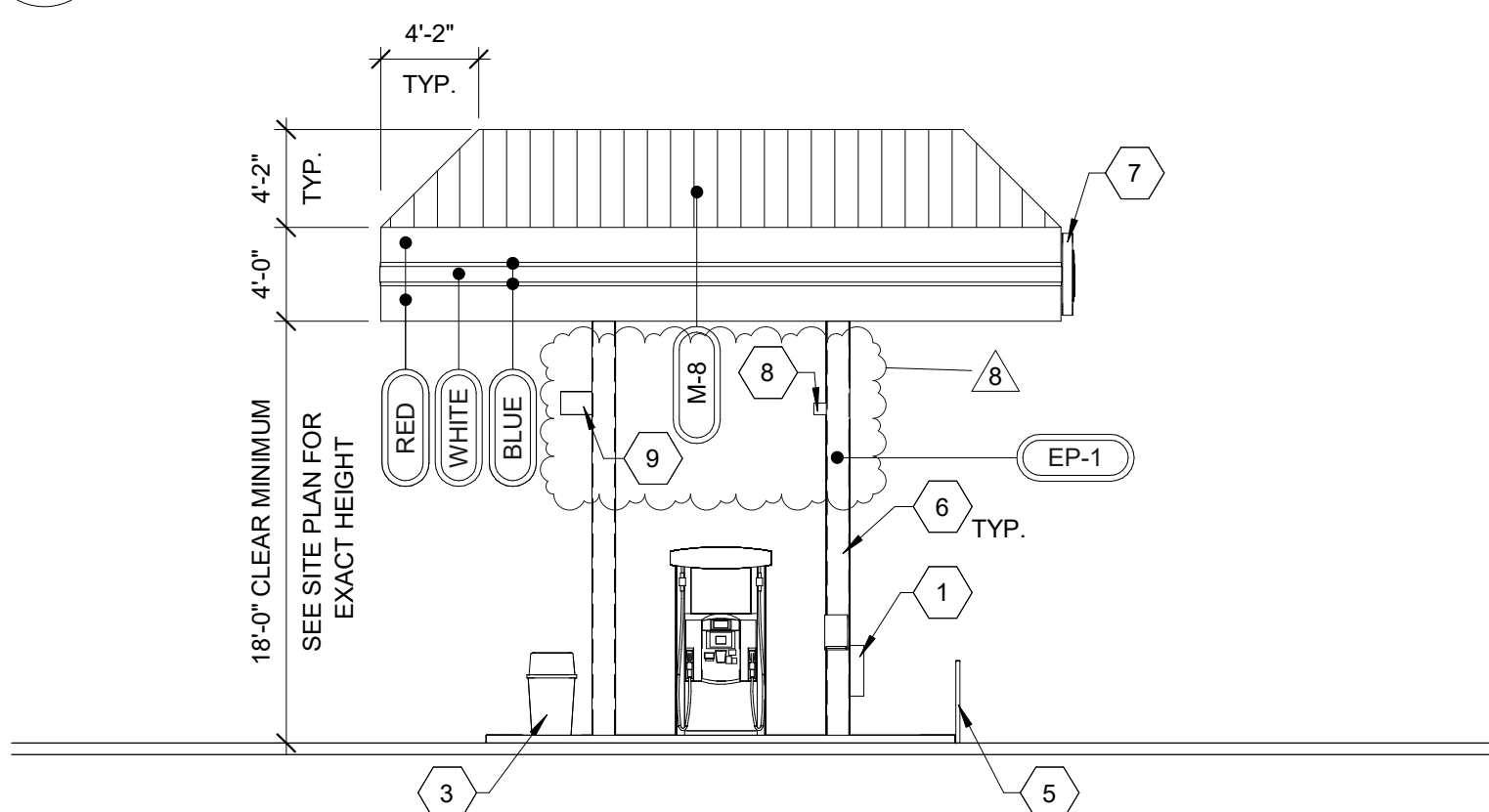
INCORPORATED SPB: 2022-0101



3 CANOPY PLAN
3/32" = 1'-0"



2 CANOPY FRONT ELEVATION
3/32" = 1'-0"



1 CANOPY ELEVATION
1/8" = 1'-0"