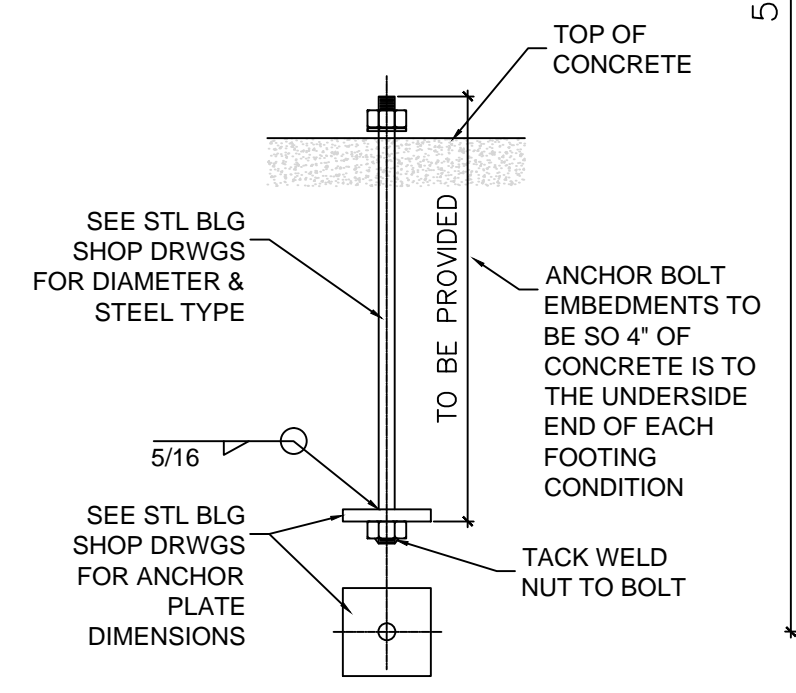
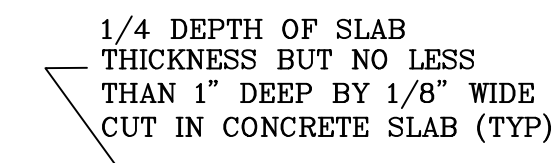


TYPICAL HAIRPIN BARS  
SCALE: N.T.S.

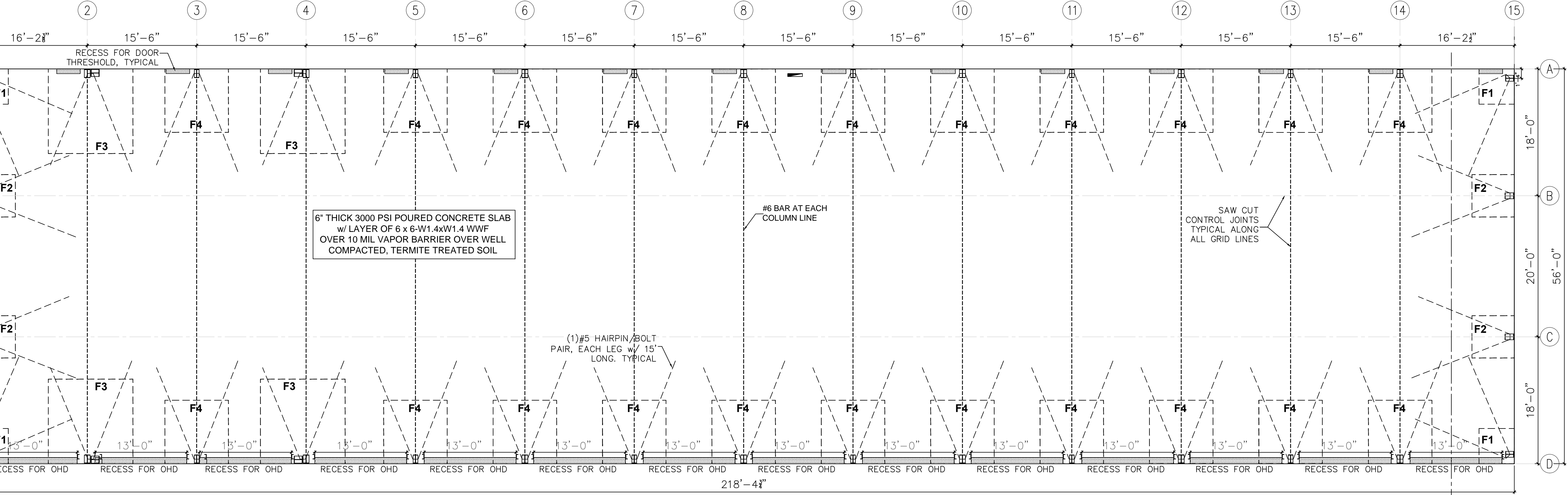
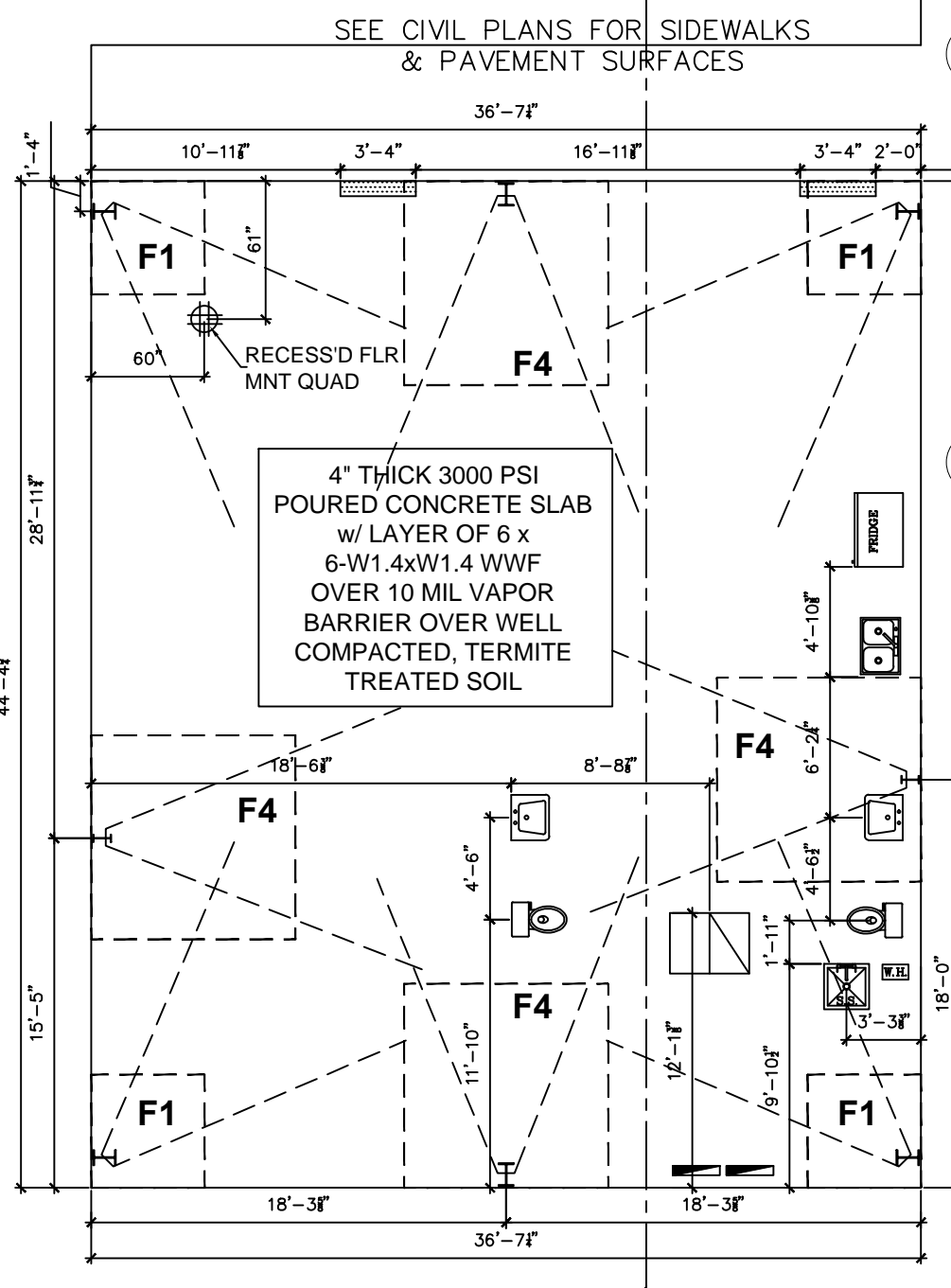


ANCHOR BOLT DETAIL  
SCALE: 1" = 1'-0"



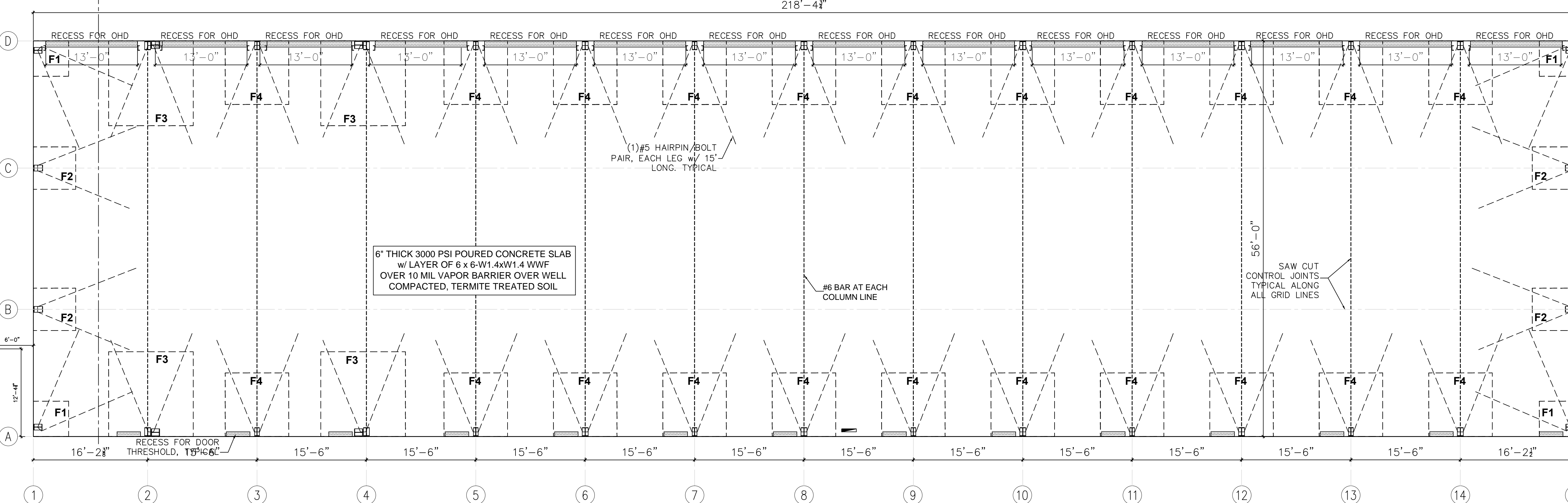
- NOTES:
1. SAW-CUT WITHIN 12 HOUR PERIOD AFTER CONCRETE IS POURED UNLESS OTHERWISE AGREED TO BY DESIGNER OF RECORD.
  2. SAW-CUT SPACING MAX AT 15'-0" O.C. BOTH DIRECTIONS. RUN PARALLEL w/ BUILDING FOOT PRINT & NEAR SQUARE AS POSSIBLE.

TYP. SAWCUT DETAIL  
SCALE: N.T.S.



FOUNDATION PLAN BLDG A

SCALE: 1/8"=1'-0"



FOUNDATION PLAN BLDG B

SCALE: 1/8"=1'-0"

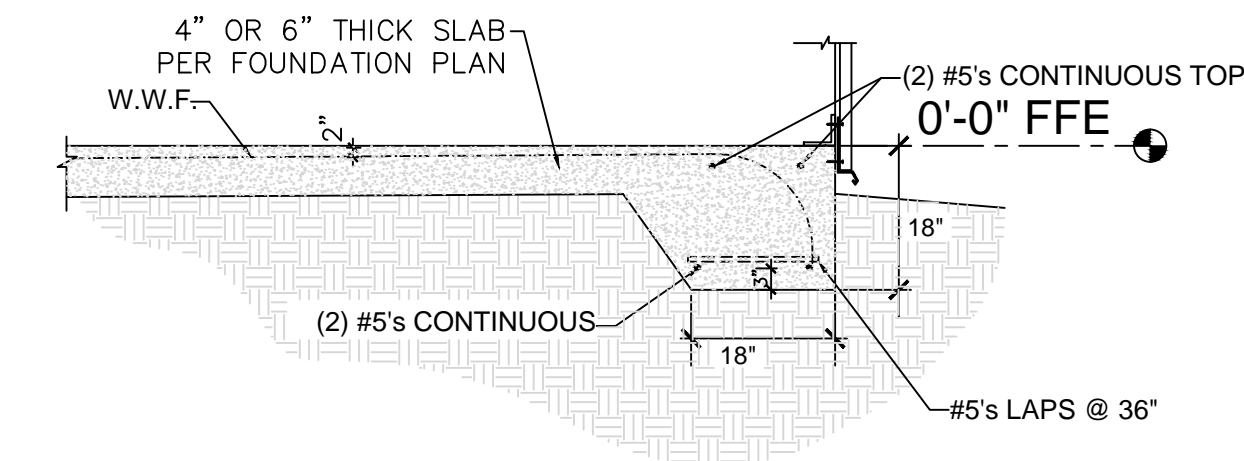
- GENERAL FOUNDATION NOTES
1. CONCRETE SHALL BE A MINIMUM OF 6" THICK AS INDICATED OVER CLEAN, TERMITE TREATED, 98% PROCTOR COMPACTED FILL AND 10 MIL POLYETHYLENE VAPOR BARRIER.
  2. CONCRETE SLAB SHALL CONTAIN 6 x 6-W1.4xW1.4 WWF, (2" COVERAGE).
  3. CONCRETE SHALL HAVE A MINIMUM COMPRESSIVE STRENGTH OF 3000 PSI.
  4. ALL 90° HOOKS ARE TO BE EXTENDED 10" MINIMUM BEYOND THE TURN. FIELD BENDS ARE TO BE DONE COLD AND THE DIAMETER OF THE BEND, MEASURED ON THE INSIDE OF THE BAR, IS NOT TO BE LESS THAN (6) BAR DIAMETERS.
  5. MINIMUM COVERAGE FOR REBAR SHALL BE 3" IN FOOTINGS AND 1-1/2" IN BOND BEAMS. HOOKS MAY BE ROTATED HORIZONTALLY IF REQUIRED TO ACHIEVE MINIMUM COVERAGES.
  6. REBAR OVERLAP SHALL BE 48 BAR DIAMETERS. (30" FOR #5 BARS).
  7. THE FOUNDATION DESIGN ASSUMES THAT THE SOIL HAS A MINIMUM LOAD CARRYING CAPACITY OF 2500 POUNDS PER SQUARE FOOT.
  8. IN THE EVENT THE SOIL BEARING CAPACITY FALLS BELOW THE AFORE MENTIONED MINIMUMS, THIS FOUNDATION PLAN MAY BE SUPERCEDED BY AN ENGINEER IN SPECIALIZED FOUNDATION DESIGN.
  9. CONTRACTOR SHALL NOTIFY ENGINEER IF SOILS ARE QUESTIONABLE TO 15'-0" IN DEPTH.
  10. SATISFACTORY COMPACTION TEST OF FILL DOES NOT VERIFY LOWER SOILS ARE ADEQUATE.
  11. ALL SPECIFICATIONS AND DIMENSIONS TO BE VERIFIED BY CONTRACTOR.
  12. ALL EXTERIOR SLABS SHALL SLOPE MIN. 1/8" PER 12" FOR DRAINAGE.
  13. ENSURE ACCESSIBILITY TO ALL EXTERIOR DOORS. MAX. STEP @ DOOR OF 1/2".
  14. RUN STRIP FTG. STEEL THRU PAD. STEEL REINFORCING.
  15. ENSURE ALL LAP BARS LAP w/ BAR ENDS. IF REQUIRED REDUCE SPACING TO ENSURE END LAP, TYPICAL.

FOOTING SCHEDULE:

FTG ID	SIZE (LENGTH x WIDTH x THICK)	REINFORCEMENT	REMARKS
F-1	5'-0" SQ x 28" DEEP	#5 @ 10" EW TOP&BOT	w/ #5 HAIRPINS
F-2	6'-0" SQ x 32" DEEP	#5 @ 10" EW TOP&BOT	w/ #5 HAIRPINS
F-3	12'-0" SQ x 32" DEEP	#5 @ 10" EW TOP&BOT	w/ #5 HAIRPINS
F-4	9'-0" SQ x 28" DEEP	#5 @ 10" EW TOP&BOT	w/ #5 HAIRPINS

NOTE:  
1. EXTEND ALL REBAR OF CONTIN. FOOTINGS THRU PADS;  
2. (1) HAIRPIN PER ANCHOR BOLT PAIR UNLESS INDICATED OTHERWISE;  
3. SEE STL BLDG SHOP DRAWINGS BEARING PLATES FOR BOLT PLACEMENT.

- ANCHOR BOLT NOTES:
1. ALL ANCHOR BOLTS TO BE ASTM A36 & A449;
  2. STEEL BLDG MANUFACTURER TO SPECIFY BOLT DIAMETERS & QUANTITIES OF BOLTS PER COLUMN.
  3. ELEVATIONS OF SLAB BEARING TO BE SET AT 0"-6".
  4. NO GROUT TO BE USED UNDER BEARING COLUMN PLATES.
  5. STEEL BLDG MANUFACTURER TO SPECIFY BEARING PLATE SIZES & THICKNESS.
  6. STEEL BLDG MANUFACTURER'S BOLT SETTING PLAN TO BE USED FOR SETTING BOLTS;
  7. ALL ANCHOR BOLTS LENGTHS TO ENSURE MIN. 3" & MAX. 4" CONCRETE COVERAGE FROM BOTTOM OF EACH CONCRETE FOOTING;



PERIMETER FOOTING  
SCALE: 1/2" = 1'-0"

START DATE: 07.09.21

NO.	REVISION/ISSUE	DATE
1	1ST REVISION	
2	2ND REVISION	
3	3RD REVISION	

CLIENT:  
MONTEREY STORAGE LLC